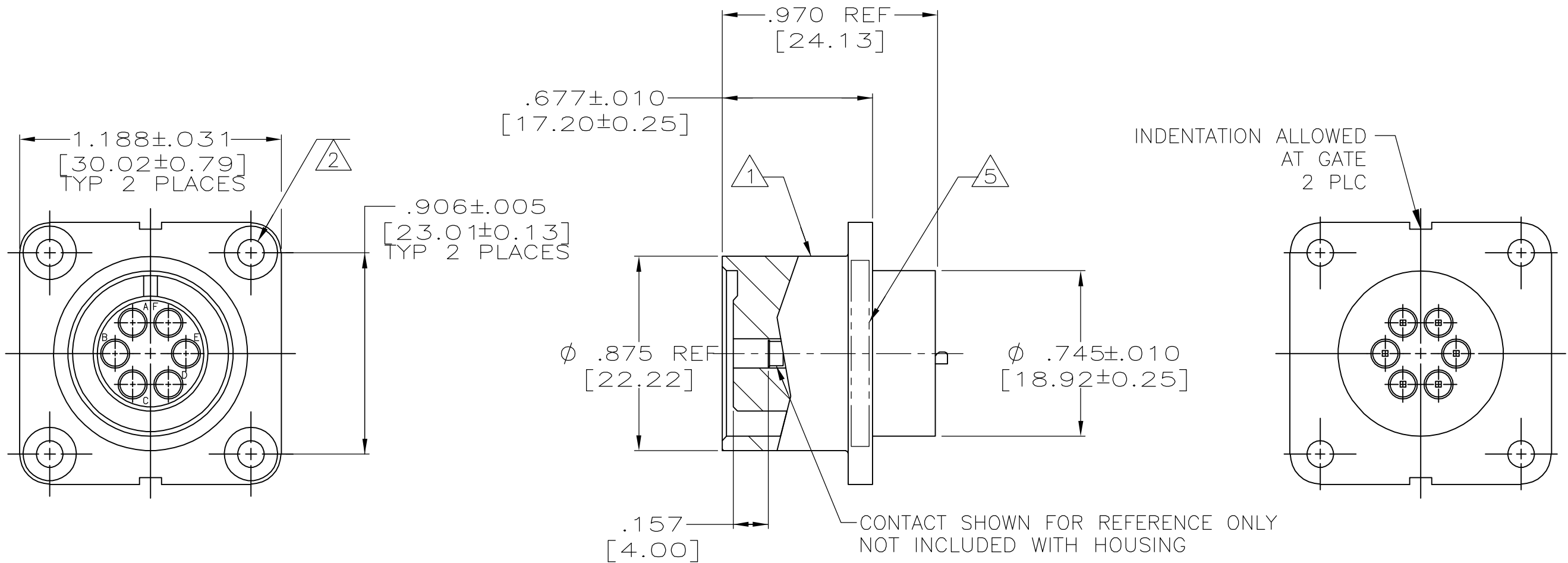


THIS DRAWING IS UNPUBLISHED. RELEASED FOR PUBLICATION, 19
 © COPYRIGHT 19 BY AMP INCORPORATED. ALL INTERNATIONAL RIGHTS RESERVED.

PROD 4085
 LOC DF
 DIST SO
 P F

REVISIONS				DATE	APPD
ZONE	LTR	DESCRIPTION			
	B	REV PER ECO 06-14737 CT	6-22-06	DE	



- 1 HOUSING IS NOT PROVIDED WITH THREADED FRONT SKIRT.
- 2 $\phi .120^{+.005}_{-.001}$ HOLE WITH 82° X $\phi .243^{+.005}_{-.001}$ CSINK
 $[3.05^{+0.13}_{-0.03}]$ $[3.05^{+0.13}_{-0.03}]$
 4 PLACES
- 3. RECEPTACLE INTERFACE IS THE SAME AS MS 3102A-14S-6S EXCEPT $\phi .875$ [22.23] IS NOT THREADED.
- 4. AMP DOES NOT MANUFACTURE THE MATING PLUG AND IS NOT RESPONSIBLE FOR PIN AND SOCKET ENGAGEMENT.
- 5 MARKED PER MIL-STD-130.

DO NOT SCALE PRINT. UNLESS SPECIFIED DIMENSIONS IN INCHES [mm] TOLERANCES ON: 2 PLC DEC ± .01 [0.25] 3 PLC DEC ± .005 [0.13] ANGLES ± _____		DR 10-14-97 C.C.THOMAS	AMP Incorporated Harrisburg, PA 17105-3608
MATERIAL HOUSING: BLACK POLYESTER THERMO PLASTIC	CHK 10-16-97 D. EABY	APPD 10-16-97 D. EABY	
FINISH _____	RLSE 10-16-97 C.C.THOMAS	PRODUCT SPEC -	NAME RCPT HOUSING, 6 POSN., LGH, SPECIAL 4mm RECESS
	APPLICATION SPEC -	WEIGHT -	SIZE B CAGE CODE 00779 DRAWING NO 1218081
			SCALE 2:1 SHEET 1 OF 1

1218081-1
 PART NO