

Coaxial Lights

LFV2/LFV series

Refer to our website for product details.

CCS LFV2 LFV

Search



You can also use your smartphone or cell phone.

Use a search engine.

Provides diffused light evenly from the same axis as the camera



Applications

Inspection for fault, damage, scratches, or dents on glossy surfaces or mirrors, pattern inspection on printed circuit boards, dimension measuring for glass, and inspection for damage and dents on resin molded products, etc.

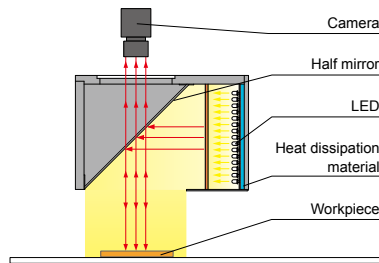
Characteristics

By using the half mirror, diffused light from the LED is illuminated on the same axis as the camera axis.

We accept custom orders. Please feel free to inquire.

- Change to format
- Increase brightness
- Change to wavelength, etc.

Example configuration (LFV2-100)



Imaging example:

Imaging example for the LFV2 series

LFV2-50RD



Imaging of text on a quartz oscillator

LFV2-50RD



Imaging of a data code on a metal surface

LFV2-70SW



Imaging of engraved text on the inner side of a CD

Macro lens equipped Light Unit



Because the macro lens and Light Unit are combined, this Light Unit is easier to use than a lens, which has a normal focus distance of 50 mm.

By varying the macro lens inside the lens tube, the field of vision can be adjusted.

LFV2-5-5RD



Imaging of a BGA alignment mark

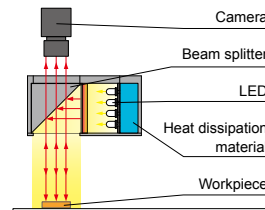
Example installation

* The camera is another company's product.

Characteristics of the LFV2-CP series

Replacing the half-mirror with a beam splitter increased accuracy. It is perfect for tiny workpieces and environments with limited installation space.

Example configuration (LFV2-CP-18)



LFV2-CP-18RD-M27/M30

This is a Coaxial Light that can be installed directly to the lens. Perfect for environments with narrow installation spots. Prepared with M27 and M30 diameter screw holes.

We have various materials.

PDF Drawings

DXF Drawings

3D CAD

Instruction Guides

Product Filters

Imaging Samples

Data Sheets

Examples of Custom Ordered Products

Download here.

<http://www.ccs-grp.com/dl/>

- LDR2
- LDR2-LA
- LDR-LA1
- SQR
- SQR-TP
- HLDR-IP
- HPR2
- HPR
- LFR
- LKR
- FPR
- FPQ2
- LDL2
- HLDL2
- TH
- LFL
- HPD2
- HPD
- LDM2
- LAV
- PDM
- LFX2
- LFV3
- LFV2/LFV
- MSU
- MFU
- UV2
- UV
- LNSP-UV-FN
- IR
- HLV2
- LV
- LSP
- HFS/HFR
- HLV2-NR
- HLV2-3M-RGB-3W
- PFB2
- PFBR
- LNSP
- CU-LNSP
- LNSP-FN
- LN/LN-HK
- LND2
- HLND
- LT
- LNV
- Telecentric Lens
- Macro Lens

All models of the LVF series and the blue and green models of the LFBV2 series are scheduled to be discontinued on October 31, 2014.

Lineup

Model name	LED color	Power consumption	Peak wavelength/ correlated color temperature	Options	Recommended Control Units	Weight
LFV2-35RD ^{*1}	Red	12 V / 2.4 W	660 nm		PD2 PSB	160 g
LFV2-35SW2	White	24 V / 3.1 W	5,500 K	Polarization plate Light control film	PD3 CC-ST-1024	
LFV2-35BL	Blue	24 V / 3.3 W	470 nm		PSB	
LFV2-35GR	Green		525 nm			
LFV2-50RD ^{*1}	Red	12 V / 6.6 W	660 nm		PD2 PSB	310 g
LFV2-50SW2	White	24 V / 8.4 W	5,500 K	Polarization plate Light control film	PD3 CC-ST-1024	
LFV2-50BL	Blue	24 V / 9.0 W	470 nm		PSB	
LFV2-50GR	Green		525 nm			
LFV2-70RD ^{*1}	Red	12 V / 9.3 W	660 nm		PD2 PSB	580 g
LFV2-70SW2	White	24 V / 14 W	5,500 K	Polarization plate Light control film	PD3 CC-ST-1024	
LFV2-70BL	Blue		470 nm		PSB	
LFV2-70GR	Green		525 nm			
LFV2-100RD ^{*1}	Red	12 V / 18 W	660 nm		PD2 PSB	980 g
LFV2-100SW2	White	24 V / 23 W	5,500 K	Polarization plate Light control film	PD3	
LFV2-100BL	Blue	24 V / 24 W	470 nm		PSB	
LFV2-100GR	Green		525 nm			
LFV2-130RD ^{*1}	Red	12 V / 28 W	660 nm		PD2 PSB	1,760 g
LFV2-130SW2	White	24 V / 38 W	5,500 K	Polarization plate Light control film	PD3	
LFV2-130BL	Blue	24 V / 41 W	470 nm		PSB	
LFV2-130GR	Green		525 nm			
LFV2-200RD	Red	24 V / 42 W	660 nm			5,220 g
LFV2-200SW2	White	24 V / 46 W	5,500 K	Polarization plate Light control film	PD3	
LFV2-200BL	Blue		470 nm			
LFV2-200GR	Green		525 nm			
LFV2-CP-13RD ^{*1}	Red	12 V / 0.9 W	660 nm			50 g
LFV2-CP-13SW2 ^{*1}	White	12 V / 0.6 W	5,500 K		PD2	
LFV2-CP-13BL ^{*1}	Blue	12 V / 0.7 W	470 nm		PSB	
LFV2-CP-13GR ^{*1}	Green		525 nm			
LFV2-CP-18RD ^{*1}	Red	12 V / 1.2 W	660 nm		PD2	60 g
LFV2-CP-18RD-M27 ^{*1}					PSB	
LFV2-CP-18RD-M30 ^{*1}						
LFV2-CP-18SW2	White	24 V / 1.6 W	5,500 K			60 g
LFV2-CP-18BL	Blue		470 nm	Polarization plate Light control film	PD3 CC-ST-1024	
LFV2-CP-18GR	Green		525 nm		PSB	
LFV2-5-2RD ^{*1}	Red	12 V / 1.2 W	660 nm		PD2	260 g
LFV2-5-5RD ^{*1}					PSB	
LFV2-5-12RD ^{*1}						

*1: Please inquire if you would like to use the LFV2 series above in combination with a Strobe Control Unit (overdrive type).

LFV-34SW2	White	24 V / 2.2 W	5,500 K		PD3 CC-ST-1024	80 g
LFV-34-BL	Blue	24 V / 2.4 W	470 nm		PSB PTU2	
LFV-34-GR	Green		525 nm			
LFV-40 ^{*1}	Red	12 V / 2.4 W	660 nm		PD2 PSB	180 g
LFV-40SW2	White	24 V / 3.1 W	5,500 K			
LFV-40-BL	Blue	24 V / 3.3 W	470 nm		PD3 CC-ST-1024	
LFV-40-GR	Green		525 nm		PSB PTU2	

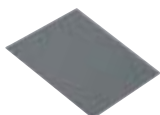
*1: Because the LFV2 series (except for the LFV2-200RD), the red LFV-40, and each color of the LFV2-CP-13 are for 12 V input, please select a Control Unit with 12 V output. The other Light Units are for 24 V input.

LED Properties: Light Spectrum ► P.208

Extension Cables ► P.196

Control Unit Selection Guide ► P.155

Options



Polarization plate

Use with a polarization filter to remove the light's surface reflection.

Model name	Applicable Light Unit (Common for all colors)
PL-LFV2-35	LFV2-35
PL-LFV2-50	LFV2-50
PL-LFV2-70	LFV2-70
PL-LFV2-100	LFV2-100
PL-LFV2-130	LFV2-130
PL-LFV2-200	LFV2-200

► P.191



Light control film

This is a plastic film which lines up fine louvers with an extremely narrow gap between them. It reduces light diffusion in a certain direction and increases parallelism.

Model name	Applicable Light Unit (Common for all colors)
LC-LFV2-35	LFV2-35
LC-LFV2-50	LFV2-50
LC-LFV2-70	LFV2-70
LC-LFV2-100	LFV2-100
LC-LFV2-130	LFV2-130
LC-LFV2-200	LFV2-200

► P.184

Diffused
Lighting

Coaxial Lights

LFV2/LFV
series

LDR2
LDR2-LA
LDR-LA1
SQR
SQR-TP
HLDR-IP
HPR2
HPR
LFR
LKR
LPR
FPR
FPQ2
LDL2
HLDL2
TH
LFL
HPD2
HPD
LDM2
LAV
PDM
LFX2
LFV3
LFV2/LFV

MSU
MFU
UV2
UV
LNSP-UV-FN
IR
HLV2
LV
LSP
HFS/HFR
HLV2-NR
HLV2-3M- RGB-3W
PFB2
PFBR
LNSP
CU-LNSP
LNSP-FN
LN/LN-HK
LND2
HLND
LT
LNV
Telecentric Lens
Macro Lens

You can inquire using
our website.

Requests for
Light Unit
Selection

Requests for
Demo
Products

Requests for
Estimates

Requests for
a Catalog

Product
Inquiries

Other
Inquiries

Inquire on our website here.
<http://www.ccs-grp.com/contact/>

Coaxial Lights

LFV2/LFV series

Refer to our website for product details.

CCS LFV2 LFV

Search

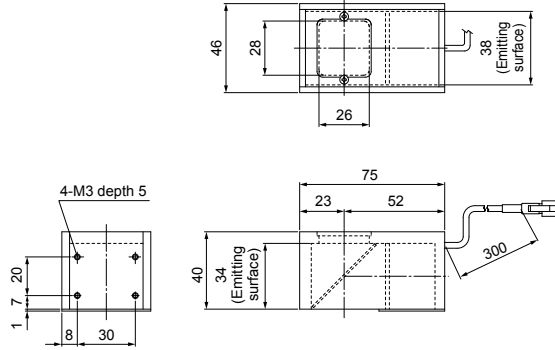


You can also use your smartphone or cell phone.

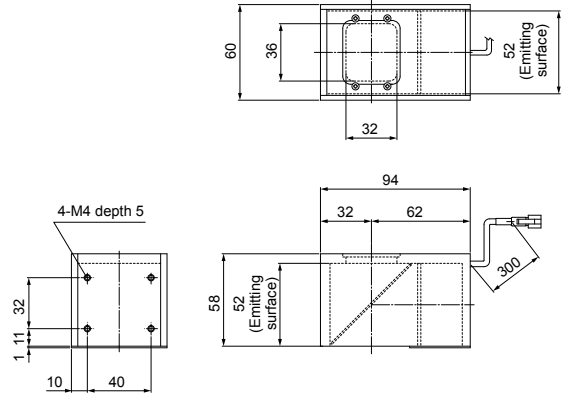
Use a search engine.

Dimensions (mm)

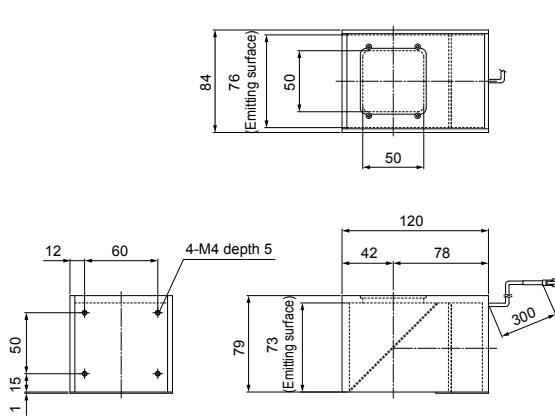
LFV2-35RD/SW2/BL/GR



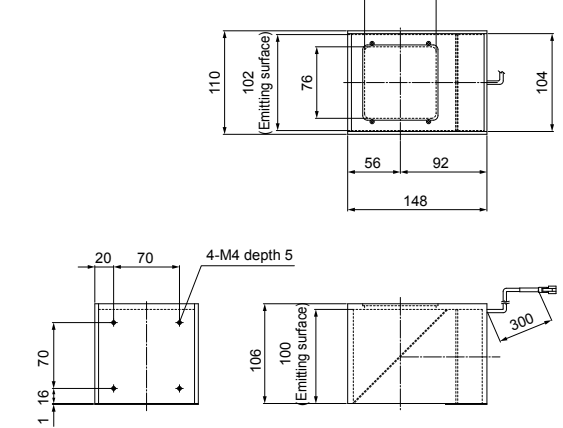
LFV2-50RD/SW2/BL/GR



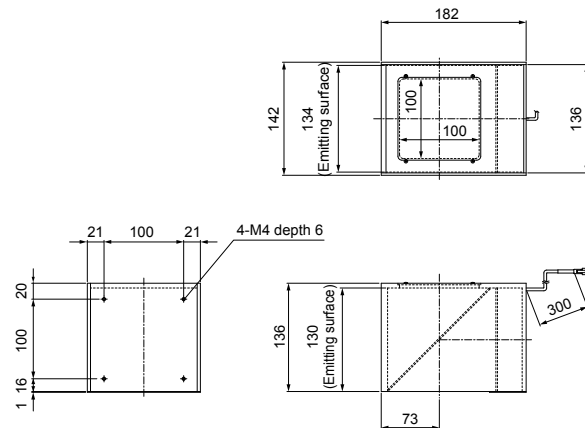
LFV2-70RD/SW2/BL/GR



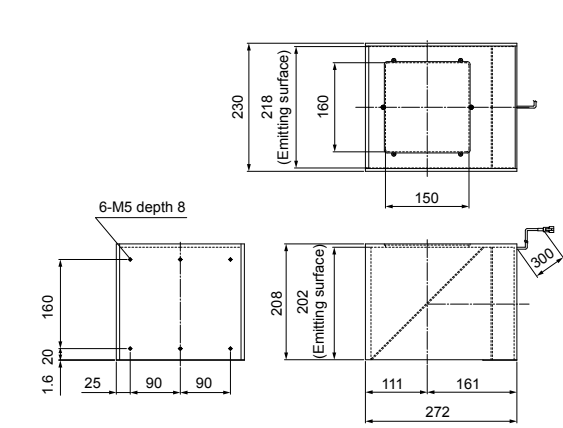
LFV2-100RD/SW2/BL/GR



LFV2-130RD/SW2/BL/GR



LFV2-200RD/SW2/BL/GR



We have various materials.

PDF Drawings

DXF Drawings

3D CAD

Instruction Guides

Product Filers

Imaging Samples

Data Sheets

Examples of Custom Ordered Products

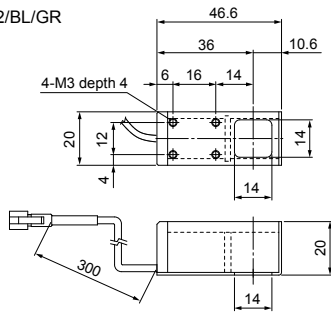
Download here.

<http://www.ccs-grp.com/dl/>

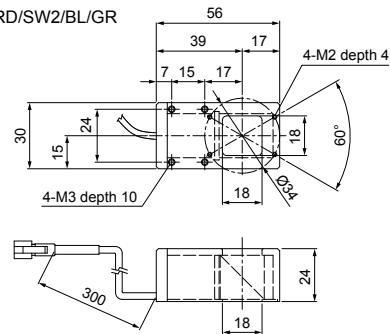
- LDR2
- LDR2-LA
- LDR-LA1
- SQR
- SQR-TP
- HLDR-IP
- HPR2
- HPR
- LFR
- LKR
- FPR
- FPQ2
- LDL2
- HLDL2
- TH
- LFL
- HPD2
- HPD
- LDM2
- LAV
- PDM
- LFX2
- LFV3
- LFV2/LFV**
- MSU
- MFU
- UV2
- UV
- LNSP-UV-FN
- IR
- HLV2
- LV
- LSP
- HFS/HFR
- HLV2-NR
- HLV2-3M- RGB-3W
- PFB2
- PFBR
- LNSP
- CU-LNSP
- LNSP-FN
- LN/LN-HK
- LND2
- HLND
- LT
- LNV
- Telecentric Lens
- Macro Lens

LDR2
LDR2-LA
LDR-LA1
SQR
SQR-TP
HLDR-IP
HPR2
HPR
LFR
LKR
FPR
FPQ2
LDL2
HLDL2
TH
LFL
HPD2
HPD
LDM2
LAV
PDM
LFX2
LFV3
LFV2/LFV
MSU
MFU
UV2
UV
LNSP-UV-FN
IR
HLV2
LV
LSP
HFS/HFR
HLV2-NR
HLV2-3M- RGB-3W
PFB2
PFBR
LNSP
CU-LNSP
LNSP-FN
LN/LN-HK
LND2
HLND
LT
LNv
Telecentric Lens
Macro Lens

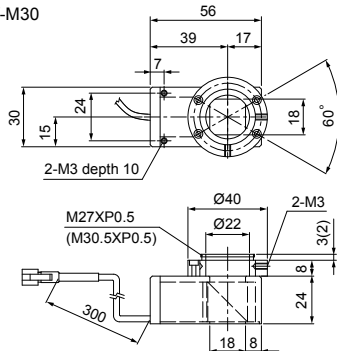
LFV2-CP-13RD/SW2/BL/GR



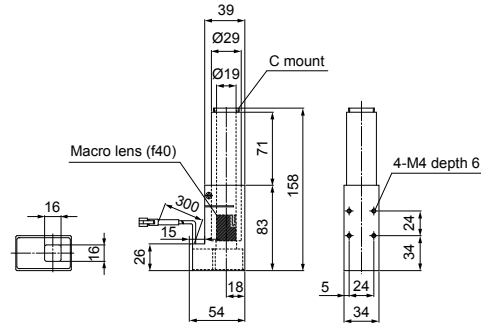
LFV2-CP-18RD/SW2/BL/GR



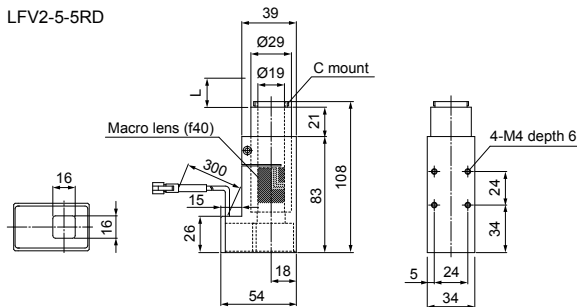
LFV2-CP-18RD-M27/M30



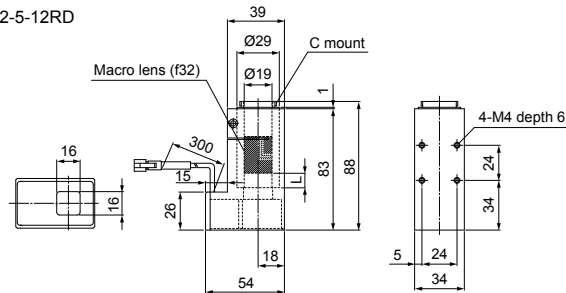
LFV2-5-2RD



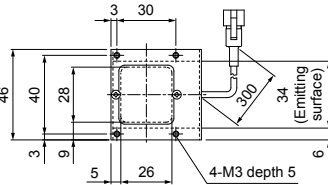
LFV2-5-5RD



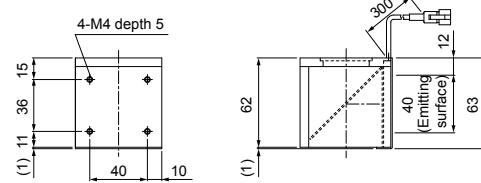
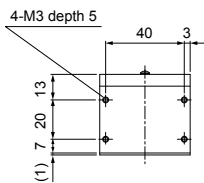
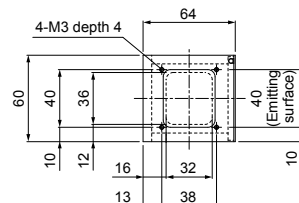
LFV2-5-12RD



LFV-34SW2/BL/GR



LFV-40/SW2/BL/GR



Magnification/Field of vision

Model name	Magnification	L	Operating distance	1/3 inch sensor	1/2 inch sensor
LFV2-5-2	x 2.4	-	28 mm or less	Field of vision: 1.5 mm	Field of vision: 2 mm
LFV2-5-5	x 1.1 to x 3	0 mm to 70 mm	45 mm or less to 23 mm or less	Field of vision: 3.2 mm to Field of vision: 1.2 mm	Field of vision: 4.2 mm to Field of vision: 1.6 mm
LFV2-5-12	x 1 to x 0.4	0 mm to 20 mm	22 mm or less to 53 mm or less	Field of vision: 3.5 mm to Field of vision: 9.3 mm	Field of vision: 4.6 mm to Field of vision: 12.2 mm

You can change the connectors of the Light Unit cable. Choose between M12 connectors and flying leads. Refer to P.115 for details.

You can inquire using
our website.

Requests for
Light Unit
Selection

Requests for
Demo
Products

Requests for
Estimates

Requests for
a Catalog

Product
Inquiries

Other
Inquiries

Inquire on our website here.
<http://www.ccs-grp.com/contact/>