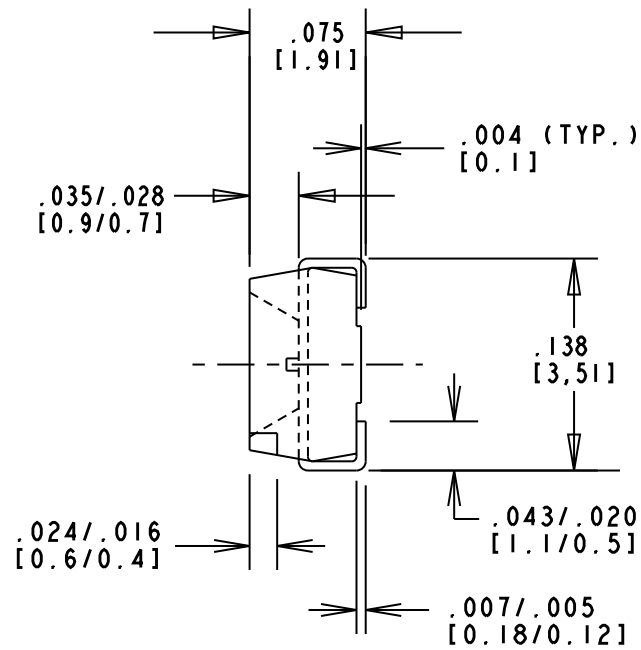
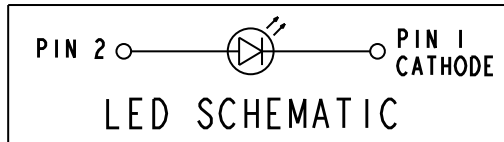
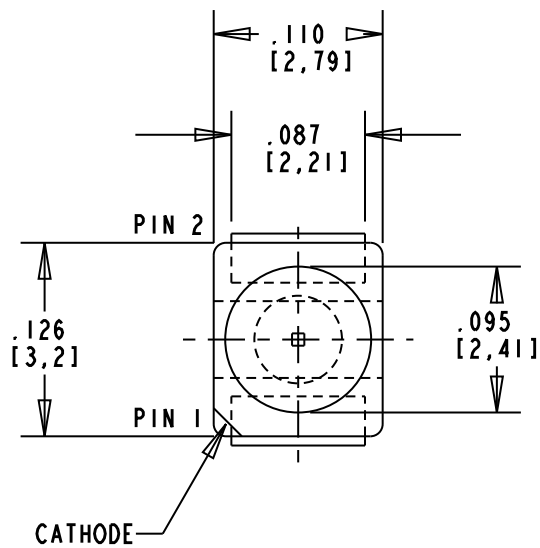
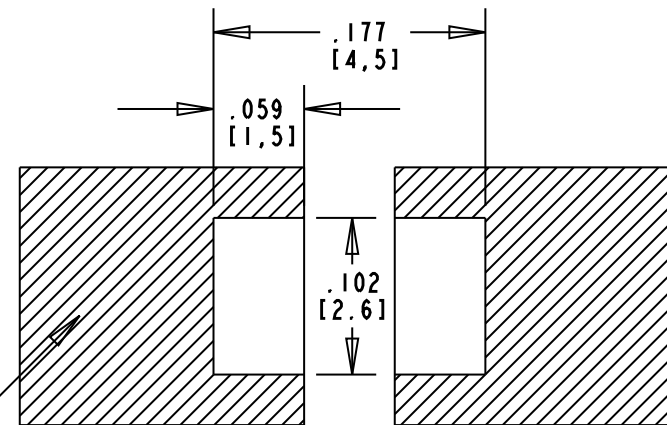
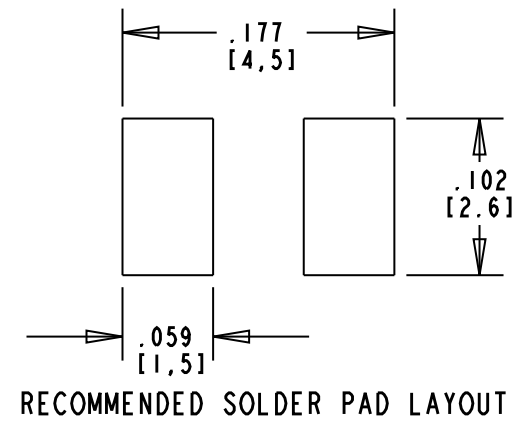


RoHS COMPLIANT 597-3901-20XF
 Part Numbers with the "F" suffix ending are RoHS Compliant.
 For example: 597-3901-202F
 Reel and bag packaging are marked with "RoHS Compliant"
 label or equivalent markings. These parts can be used with
 RoHS reflow profile. Parts can be wave soldered, dip soldered
 or hand soldered using typical lead-free soldering process
 with max 260°C temp. for 5 sec.

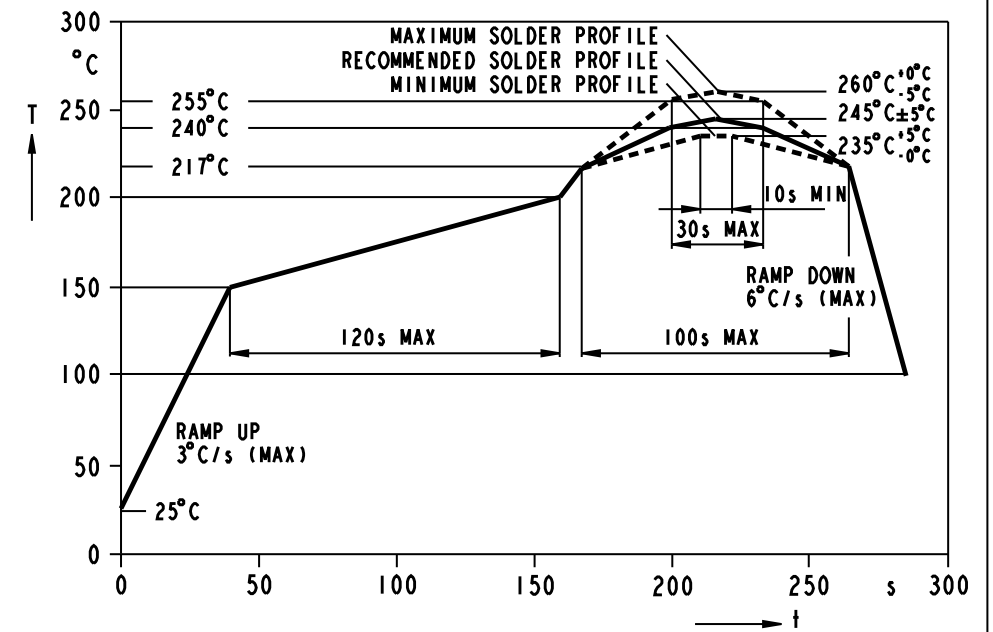


Cu-AREA > .0248 in² (16mm²)



PAD LAYOUT FOR IMPROVED HEAT DISSIPATION

REV	ECN NO	REVISIONS	DRN	CKD	APP	DATE
A		NEW RELEASE	DC	AM	NO	1-28-02
B		REMOVED NOTE 3; NEW SOLDERING PROFILE; REMOVED SOLDERING PROFILE FROM TABLE; ADDED "F" TO P/Ns; ADDED RoHS COMPLIANT NOTE; ADDED LED SCHEMATIC	AJF	KLJ	CJC	9-4-09



RECOMMENDED RoHS COMPLIANT REFLOW PROFILE

SOLDER RESIST

OPERATING CHARACTERISTICS AT 25°C AMBIENT					
LED CHARACTERISTICS	MIN.	TYP.	MAX.	UNITS	TEST CONDITIONS
LUMINOUS INTENSITY	90.0		180.0	mc d	I _F = 20 mA
FORWARD VOLTAGE		3.5	4.2	V	I _F = 20 mA
REVERSE CURRENT		0.01	10	μA	V _R = 5 V
VIEWING ANGLE (2 θ 1/2)		120		DEGREES	
COLOR COORDINATES	X	0.29	0.32	0.365	I _F = 20 mA
	Y	0.22	0.31	0.42	

ABSOLUTE MAXIMUM RATINGS AT 25°C AMBIENT		
POWER DISSIPATION	85	mW
CONTINUOUS FORWARD CURRENT	20	mA
DERATE LINEARLY FROM 75°C	0.6	mA/°C
PEAK REVERSE VOLTAGE	5	V
OPERATING TEMPERATURE	-40 TO +100	°C
STORAGE TEMPERATURE	-40 TO +100	°C

NOTES:

- EPOXY COLOR: DIFFUSED
- DIE: InGaN.
- SOLDER ADHERANCE: BOTH LEADS PER MIL-STD-202E, METHOD 208C.
- SUFFIX -202F FOR 20-PCS ON A SAMPLE TAPE STRIP.
SUFFIX -207F FOR 7" (178mm) DIA. REEL, .315 (8mm) EMBOSSED CARRIER TAPE, WITH 2000 PARTS/REEL.
- PARTS TO BE TAPED AND REELED PER EIA-RS-481A.
- PARTS TO BE SUPPLIED 2000 DEVICES PER REEL WITH ALL PARTS ON ONE REEL FROM SAME LOT AND SAME BIN CATEGORY.
- LABELING: REELS TO BE IDENTIFIED WITH P/N, QUANTITY, DATE CODE, INTENSITY BIN CATEGORY AND COLOR BIN CATEGORY.
- PACKAGING IN SEALED ALUMINUM MOISTURE BARRIER BAG WITH DESICCANT AND "MOISTURE SENSITIVITY LEVEL OF "2" PER JEDEC J-STD-033.
- ATTENTION: OBSERVE PRECAUTIONS FOR HANDLING ELECTROSTATIC SENSITIVE DEVICES.
- DEVICES POSITIONED ON REEL WITH CATHODE SIDE TOWARDS SPROCKET.
- TAPE AND REEL LEDS MAY REQUIRE RE-TAPING AFTER TWELVE MONTHS.
- DIALIGHT P/N: 597-3901-202F, 597-3901-207F.

THIS DRAWING AND THE CONTENTS HEREIN ARE CONFIDENTIAL AND THE SOLE PROPERTY OF DIALIGHT. REPRODUCTION OF THIS DRAWING OR CONSTRUCTION OF ANY PARTS WITHIN THIS DRAWING ARE FORBIDDEN WITHOUT THE WRITTEN CONSENT OF DIALIGHT.		
SCALE: 8.000	DRAWING NUMBER	REV
ALL DIM'S IN: INCHES (MM)	C-16903	B
TOLERANCES: UNLESS OTHERWISE SPECIFIED	TITLE WHITE PLCC SMT LED RoHS COMPLIANT	
FRACTIONS: ±1/64 DECIMALS (.XX): ±.01 DECIMALS (.XXX): ±.008 DECIMALS (.XXXX): ±.0005 ANGLES: ±1°	MATERIAL	
FINISH:	Dialight 1501 ROUTE 34 SOUTH FARMINGDALE, NJ 07727	
FSCM 83330	SHEET 1 OF 1	FAMILY TABLE: