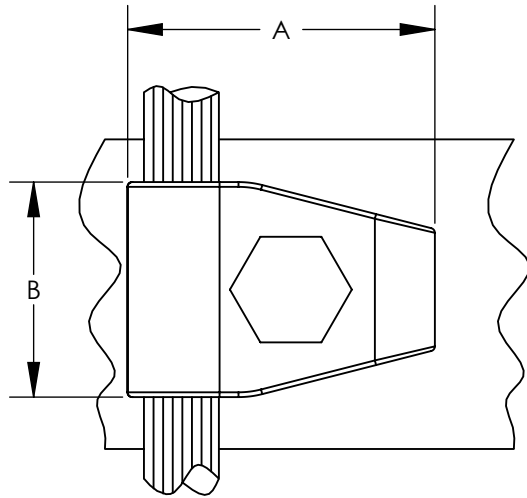


THIS COPY IS PROVIDED ON A RESTRICTED BASIS AND IS NOT TO BE USED IN ANY WAY DETRIMENTAL TO THE INTERESTS OF PANDUIT CORP.





 C US

 467

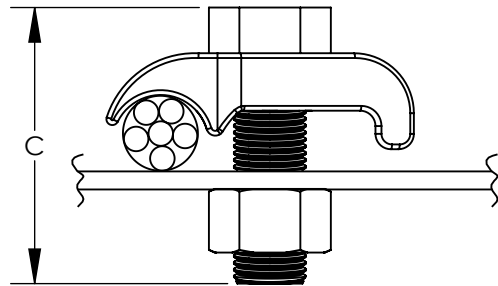
 LISTED

 SUITABLE FOR

 DIRECT BURIAL

NOTES:

1. MADE FROM HIGH COPPER CONTENT ALLOY. FURNISHED WITH FULL THREADED SILICON BOLT, NUTS, AND LOCKWASHERS.
2. THESE CONNECTORS ARE UL LISTED FOR GROUNDING AND BONDING, AND DIRECT BURIAL APPLICATIONS.
3. SEE www.PANDUIT.com FOR PACKAGE QUANTITIES.



PANDUIT PART NUMBER	CONDUCTOR RANGE	DIMENSIONS +/- .1 [2.5]						BOLT DIA.
		A		B		C		
		IN	MM	IN	MM	IN	MM	
GMS-1-X	8 SOL. - 4 STR.	1.25	32	1.00	25	1.63	41	0.38
GMS-2-Q	4 SOL. - 2/0 STR.	1.63	41	1.13	28	1.75	44	0.38
GMS-3-Q	2/0 SOL. - 250 kcmil	2.13	54	1.50	38	2.00	51	0.50

REV	DATE	BY	CHK	APR	DESCRIPTION	ECN
05	11/15	JHNU	JHNU	RGB	REVISED WIRE RANGE FOR GMS-3-Q: 2/0 SOL WAS 2/0 STR	N41170BA-C41170

TITLE
BRONZE GROUND CLAMP
GMS SERIES
 CUSTOMER DRAWING

ITEM REVISION NAME
 N41170BA/05

DATASET FILE NAME
 N41170BA-C41170/05.SLDDRW

UNLESS OTHERWISE SPECIFIED,
 DIMENSIONAL TOLERANCES ARE: IN [mm]
 .X ± .XXX ±
 .XX ± ANGLES ±

THIRD ANGLE PROJECTION

MATERIAL
 SEE NOTES

DRAWING NUMBER
 C41170

DRAWN BY
 ED

DATE
 10/95

CHK
 WJB

SCALE
 N/A

SHEET 1 OF 1

SIZE
 A