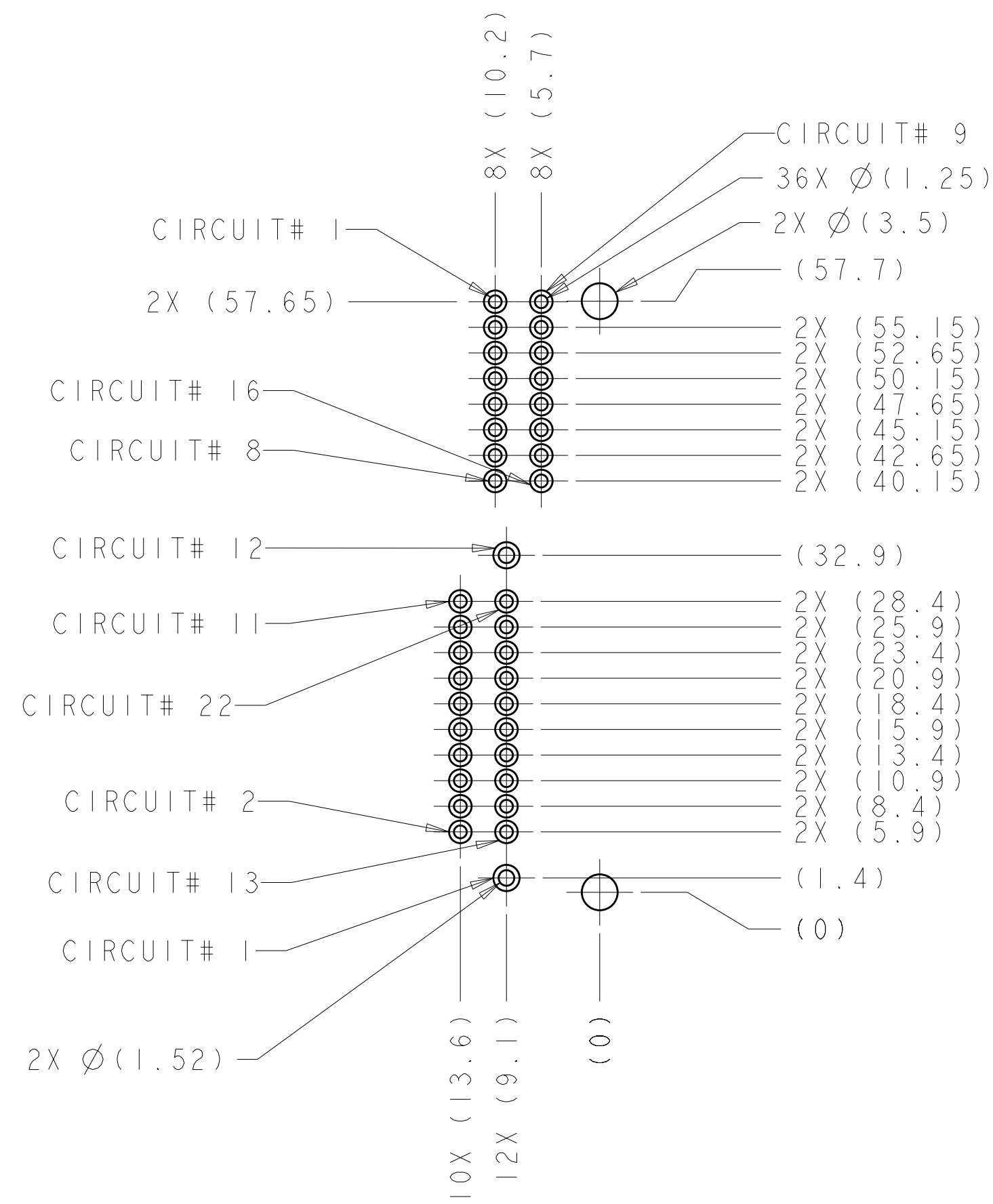
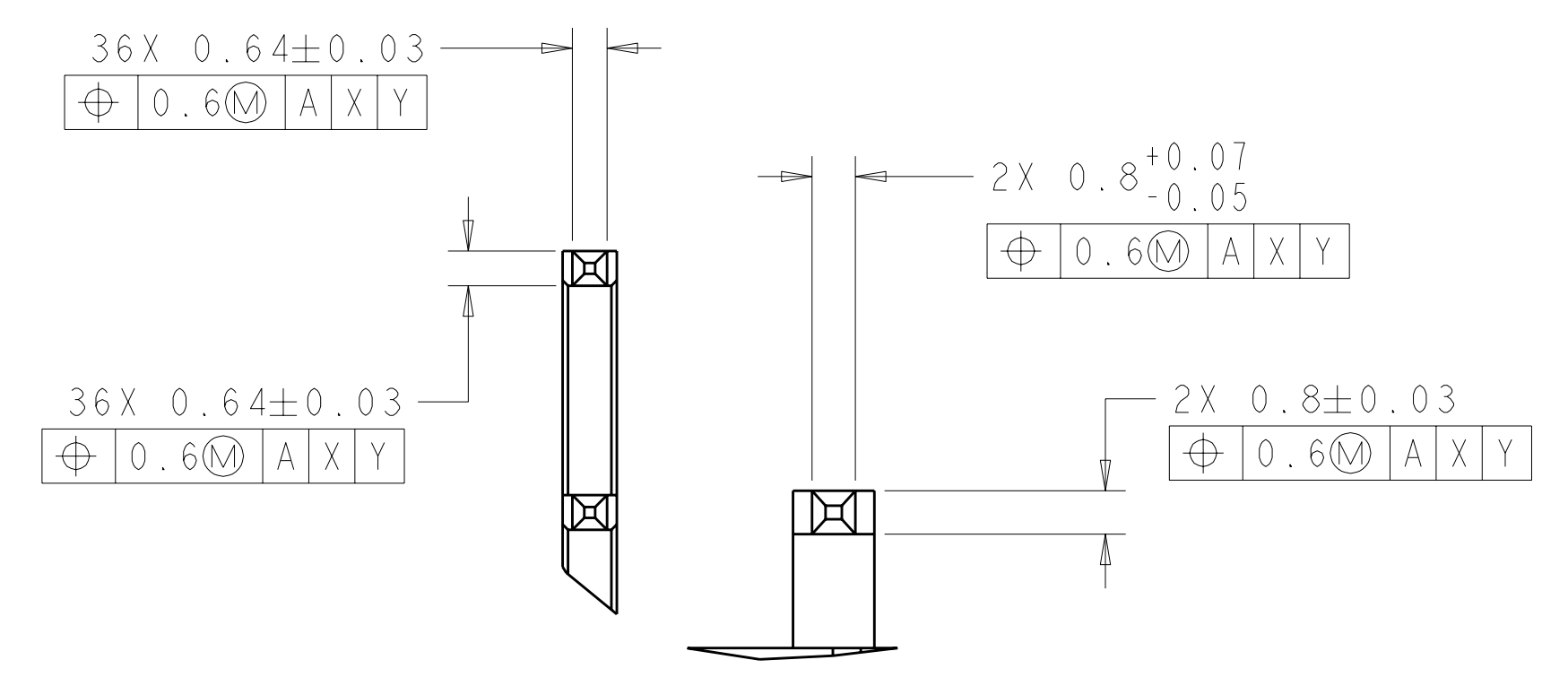
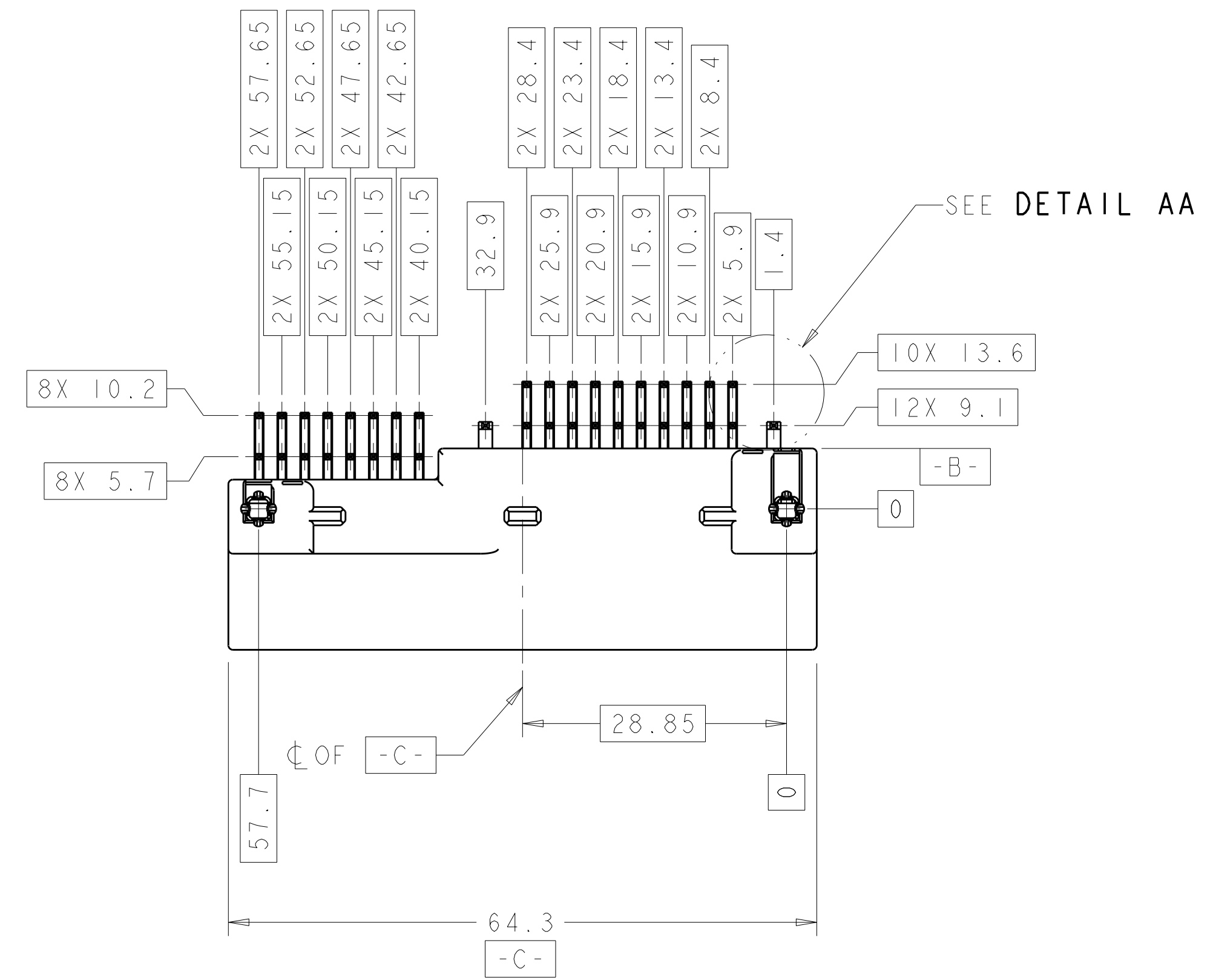


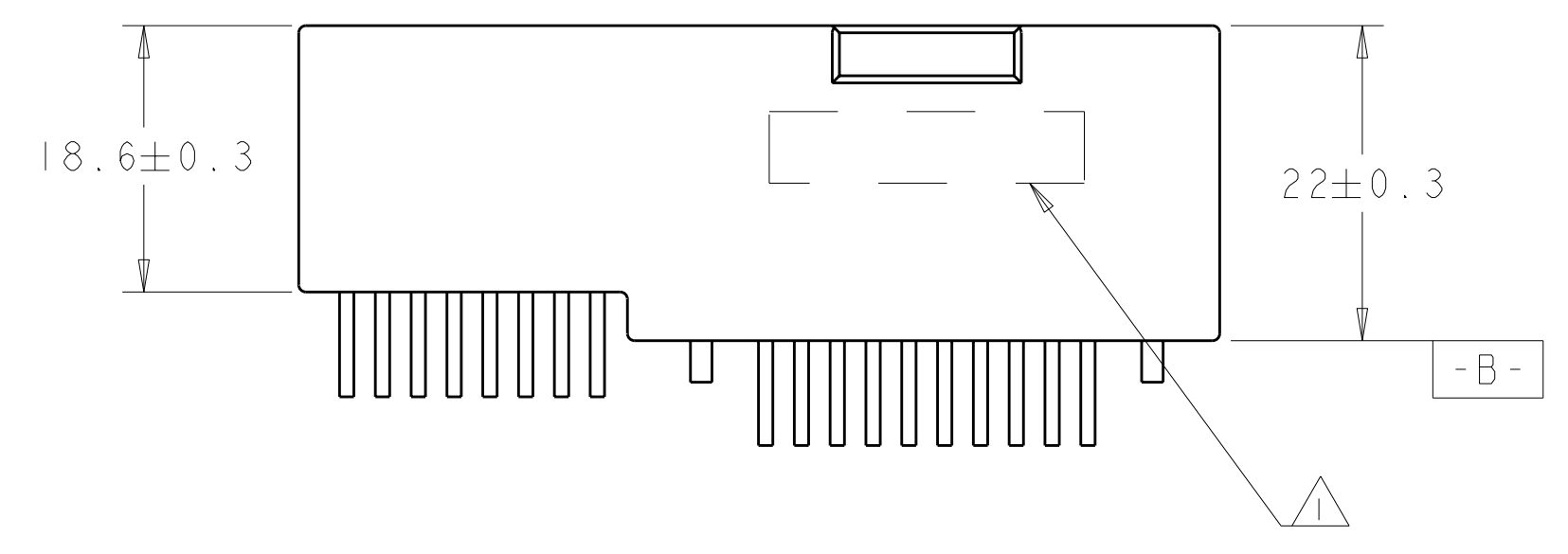
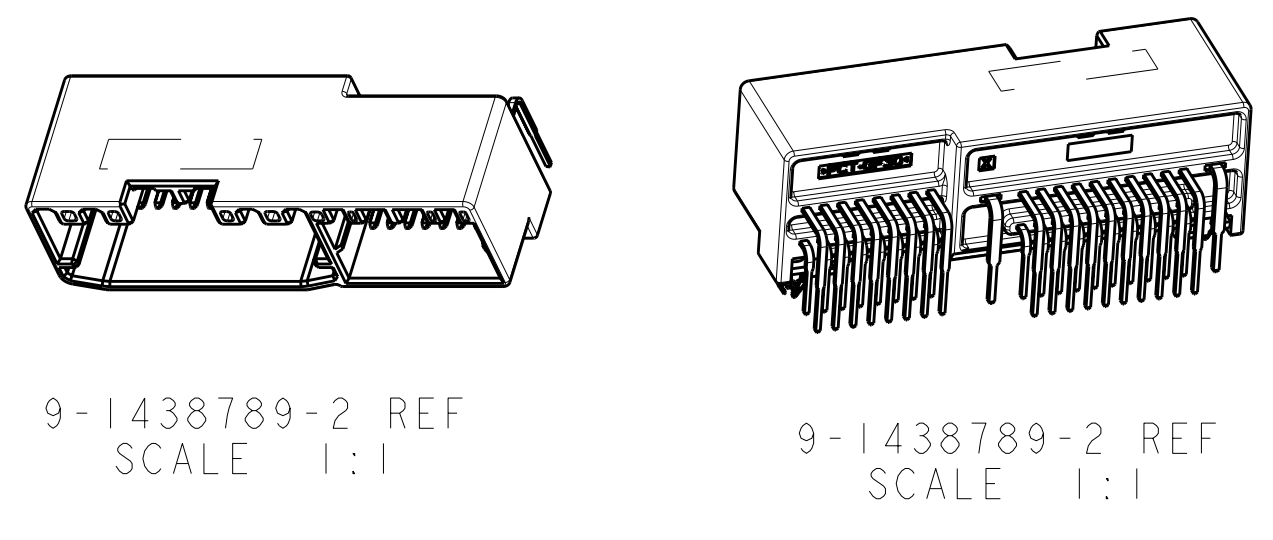
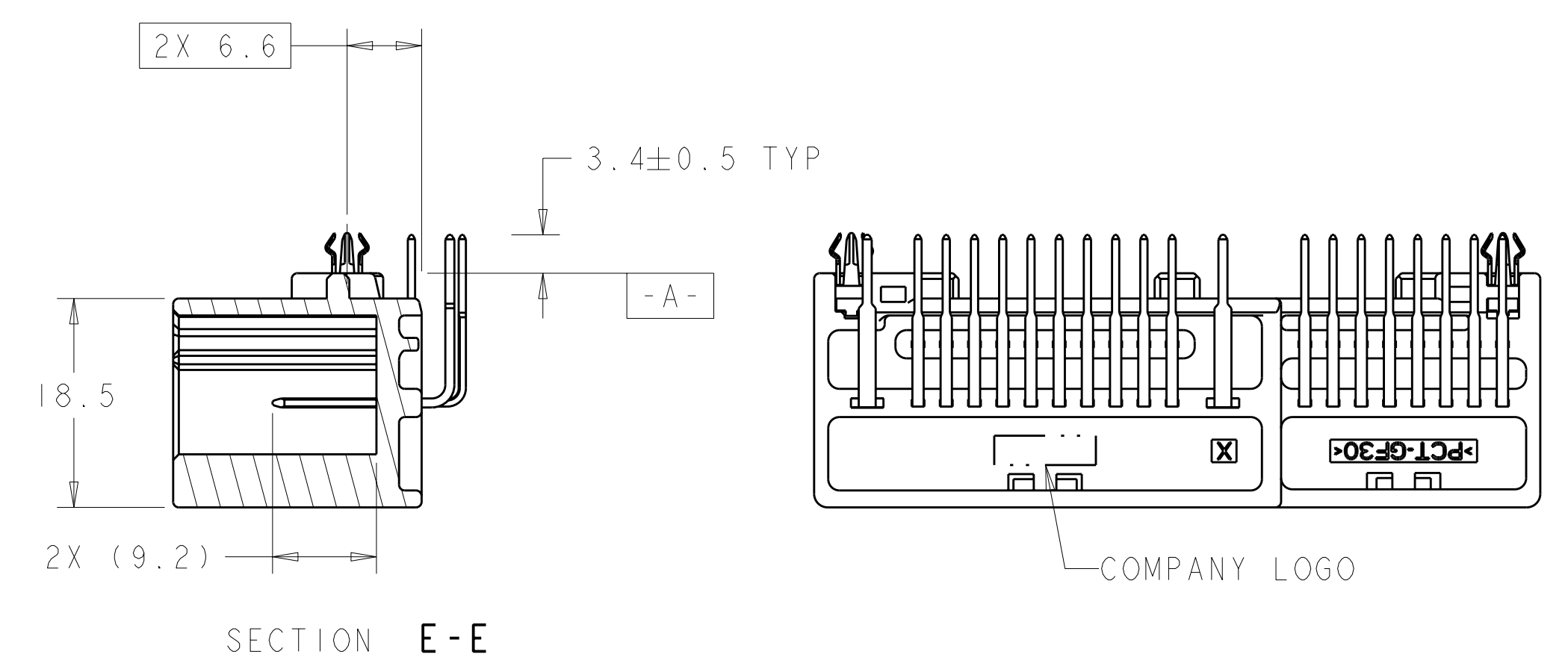
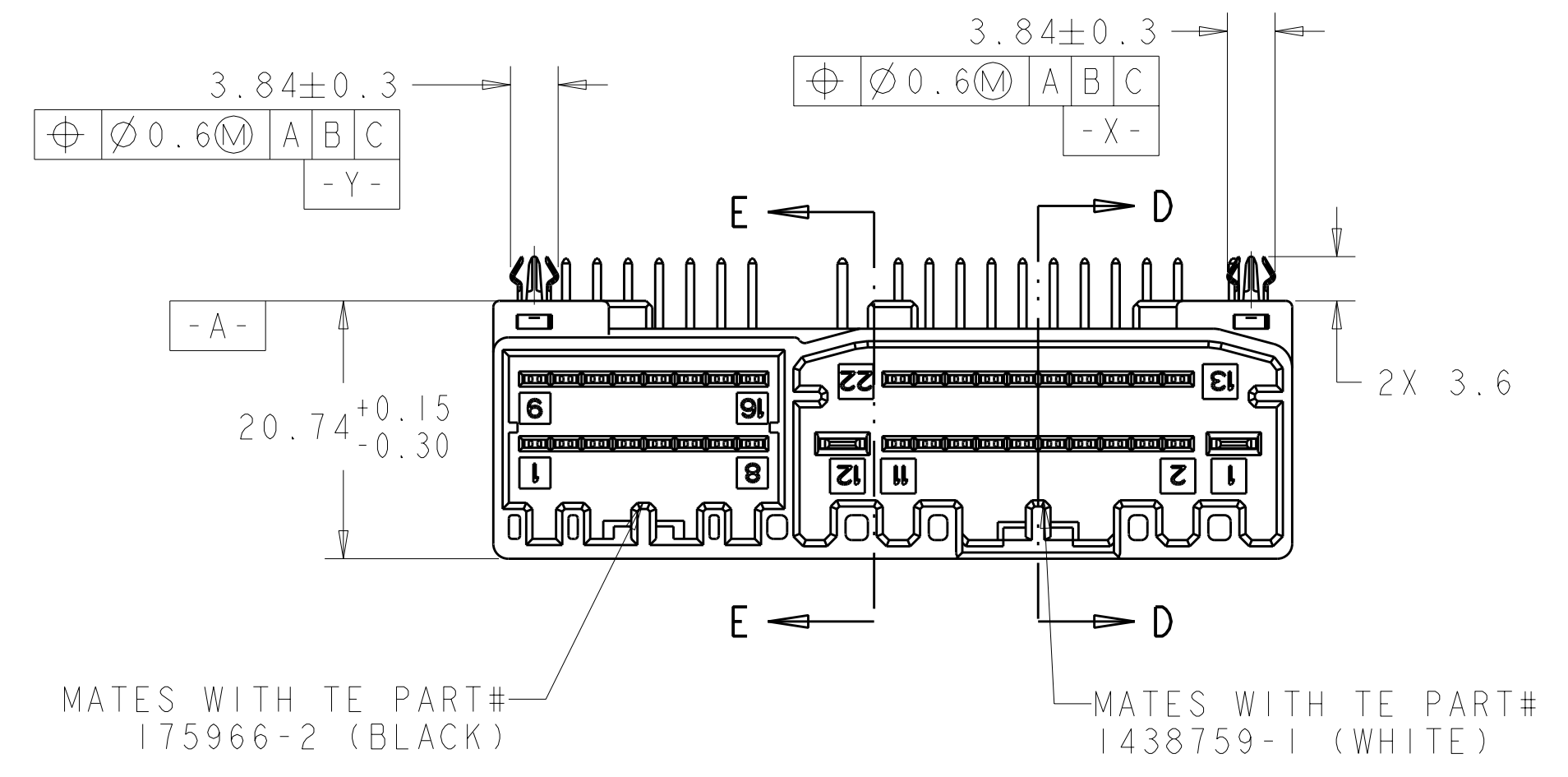
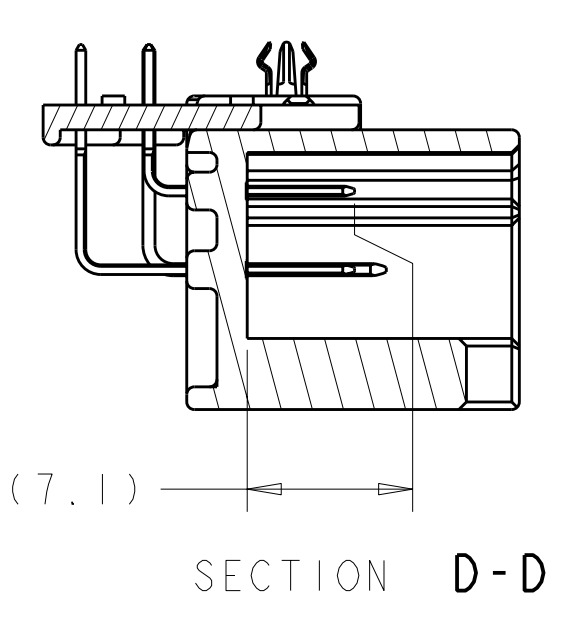
LOC	DIST	REV	DATE	BY	APPD
FX	00	6	18JAN2006	MBH	AV
		A	09MAR2006	MBH	AV
		A1	21FEB2007	AH	CS
		A2	17JUN2010	VSS	MB



RECOMMENDED PCB LAYOUT CONNECTOR SIDE (RECOMMENDED BOARD THICKNESS 1.57mm)



DETAIL AA SCALE 8:1



NOTES:
 ▲ MARK DATE CODE IN APPROXIMATE LOCATION.

MATERIAL	PRE-TIN	BRASS	POST-TIN	PCT	BLACK	9-1438789-2
BOARDLOCK		CONTACT		HOUSING		
DIMENSIONS:		TOLERANCES UNLESS OTHERWISE SPECIFIED:		NAME		
mm		9 PLC ±0.3		38P CAP ASSEMBLY, HYBRID MULTILOCK,		
Ø		1 PLC ±0.3		22P .040/2.8 HYBRID + 16P .040		
H		3 PLC ±0.1		SIZE		
R		4 PLC ±		114-13158		
ANGLES		FINISH		WEIGHT		
				A1 00779 C=1438789		
				CUSTOMER DRAWING		