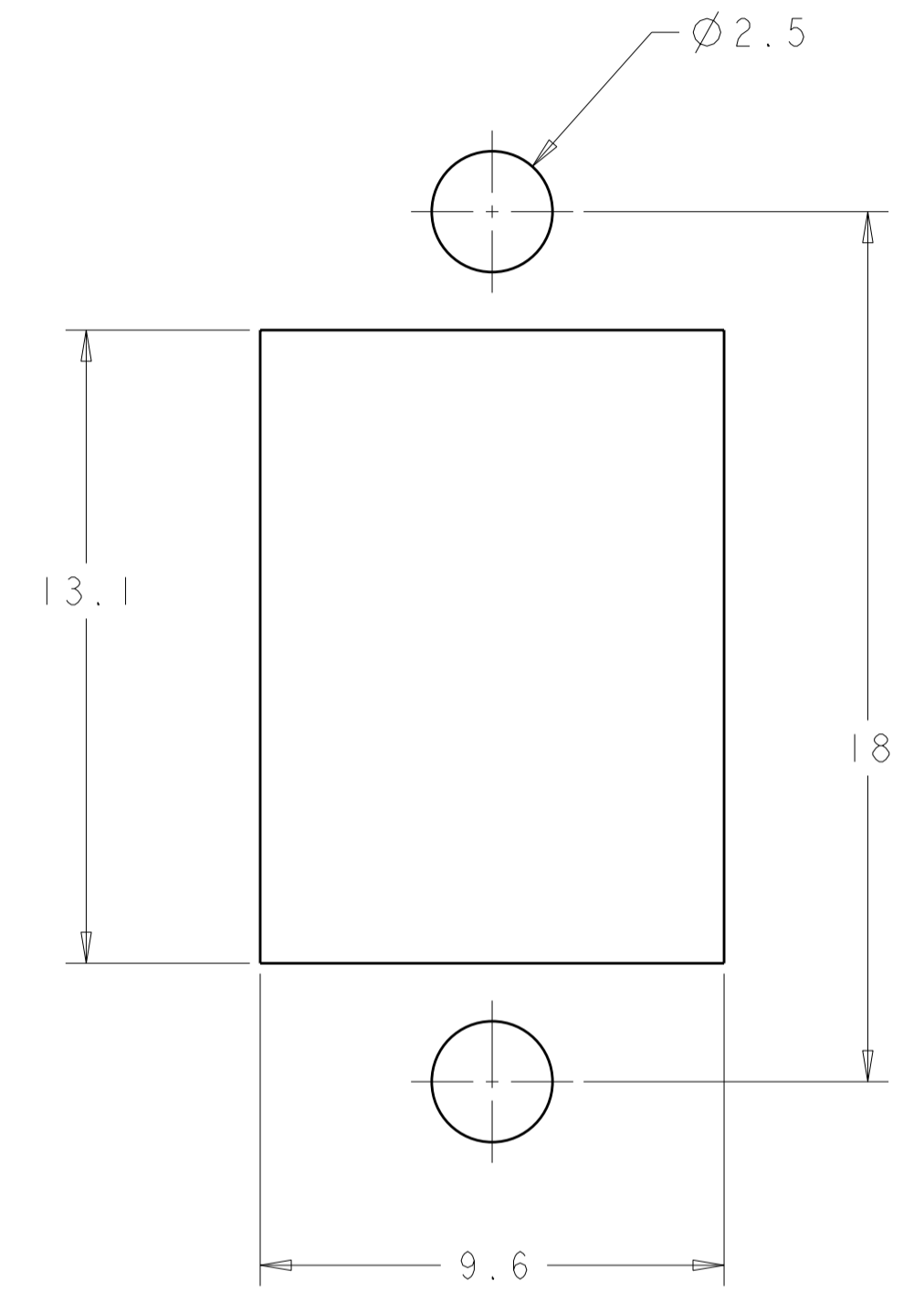
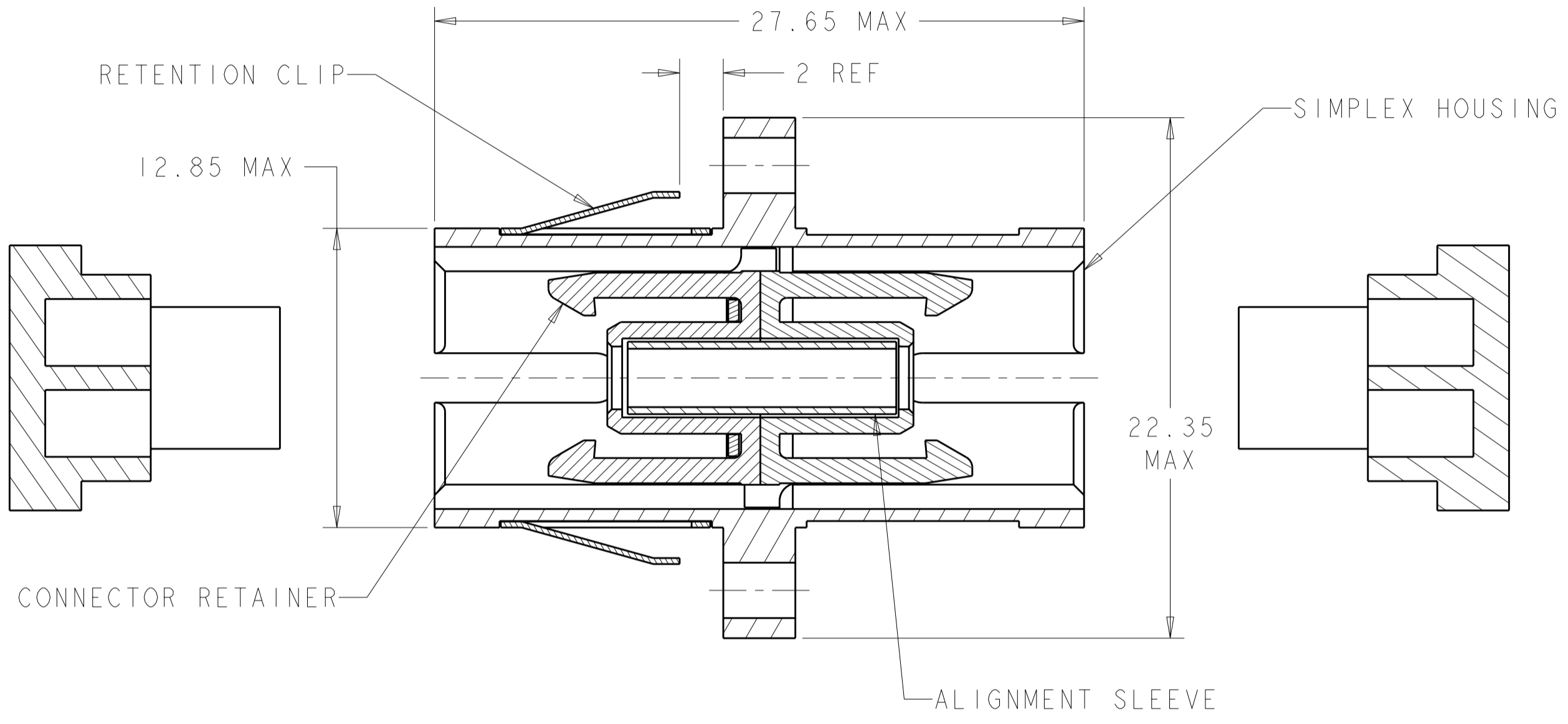


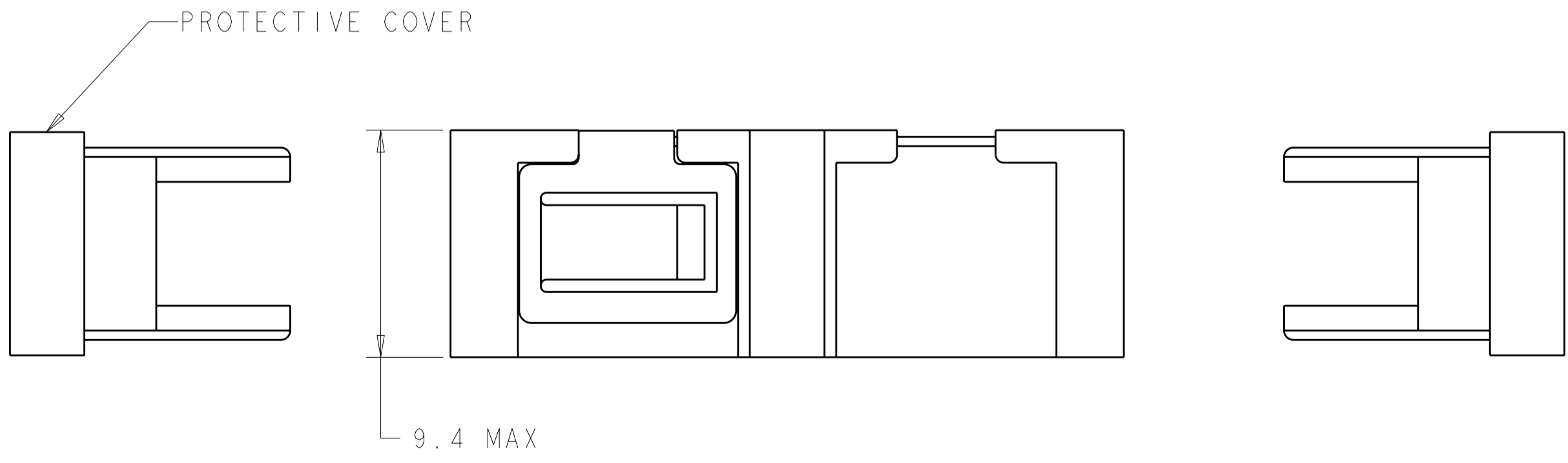
THIS DRAWING IS UNPUBLISHED. RELEASED FOR PUBLICATION 20
 © COPYRIGHT 20 BY TYCO ELECTRONICS CORPORATION. ALL RIGHTS RESERVED.

LOC	DIST	REVISIONS			
P	LTR	DESCRIPTION	DATE	DWN	APVD
CE	00				
	C	REVISE PER ECR-08-009217	16APR2008	BB	SM

△ MATERIAL:
 HOUSING: PBT-GF30, COLOR: GREEN.*
 RETAINER: PEI-GF30, COLOR: BLACK.*
 ALIGNMENT SLEEVE: CERAMIC.
 PROTECTIVE COVER: TPE, COLOR: BLACK.*
 RETENTION CLIP: STAINLESS STEEL.
 *UL94 V-0 RATED AT QUALIFYING THICKNESS.



SUGGESTED PANEL CUTOUT
 MAX PANEL THICKNESS 1.7



1828028-2
 PART NUMBER

THIS DRAWING IS A CONTROLLED DOCUMENT FOR TYCO ELECTRONICS CORPORATION. IT IS SUBJECT TO CHANGE AND THE CONTROLLING ENGINEERING ORGANIZATION SHOULD BE CONTACTED FOR THE LATEST REVISION.		DWN B. BRIGGS 21OCT2004	Tyco Electronics Harrisburg, PA 17105-3608	
DIMENSIONS: mm		CHK S. MILLER 21OCT2004	NAME ADAPTER, SC/APC	
TOLERANCES UNLESS OTHERWISE SPECIFIED: 0 PLC ±0.1 1 PLC ±0.1 2 PLC ±0.05 3 PLC ± 4 PLC ± ANGLES ± FINISH		APVD S. BUCHTER 21OCT2004	RESTRICTED TO	
MATERIAL △ -		PRODUCT SPEC -	SIZE A200779	DRAWING NO C-1828028
		APPLICATION SPEC -	SCALE 5:1	SHEET 1 OF 1
		WEIGHT -	REV C	
		CUSTOMER DRAWING		