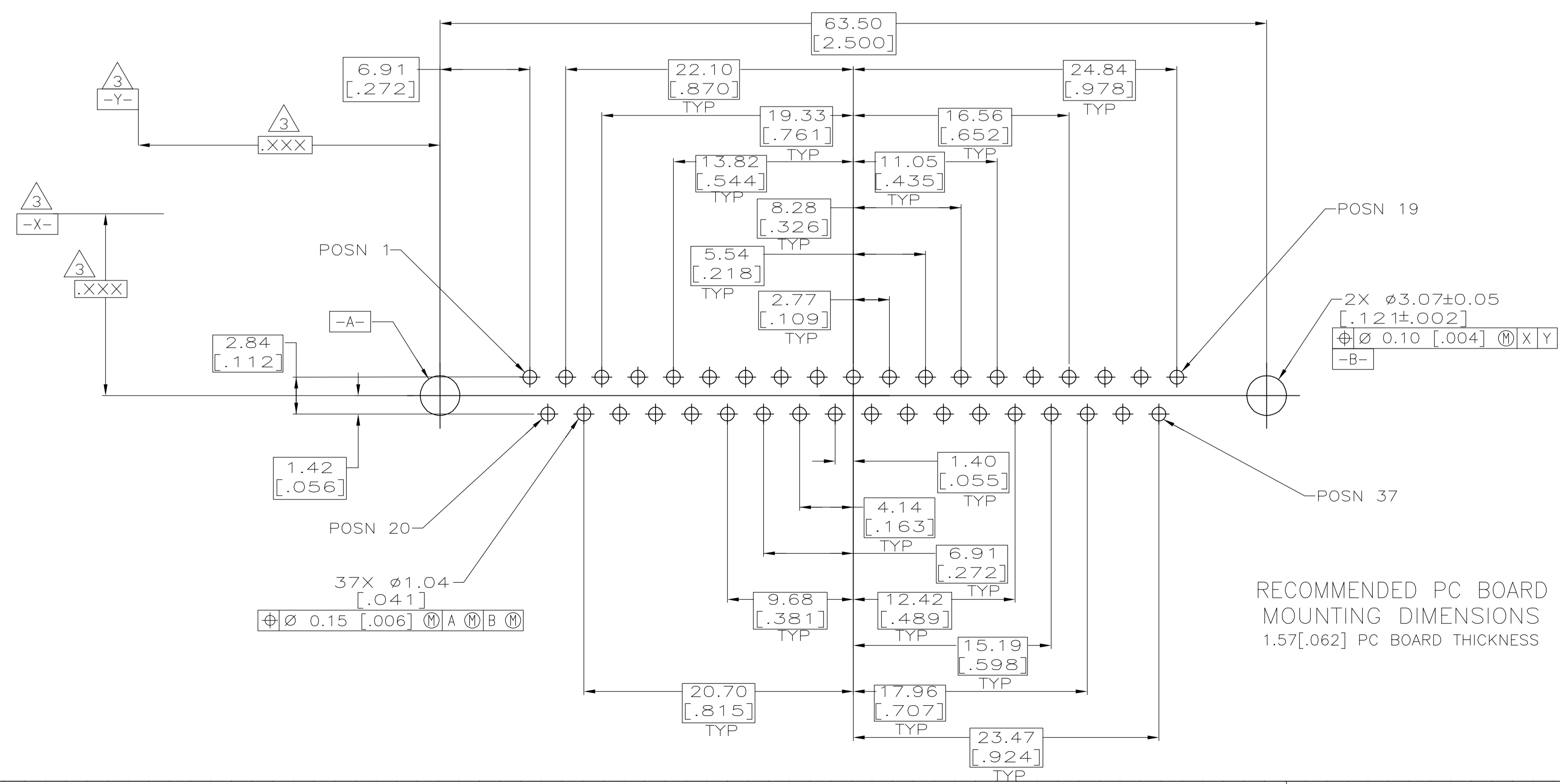
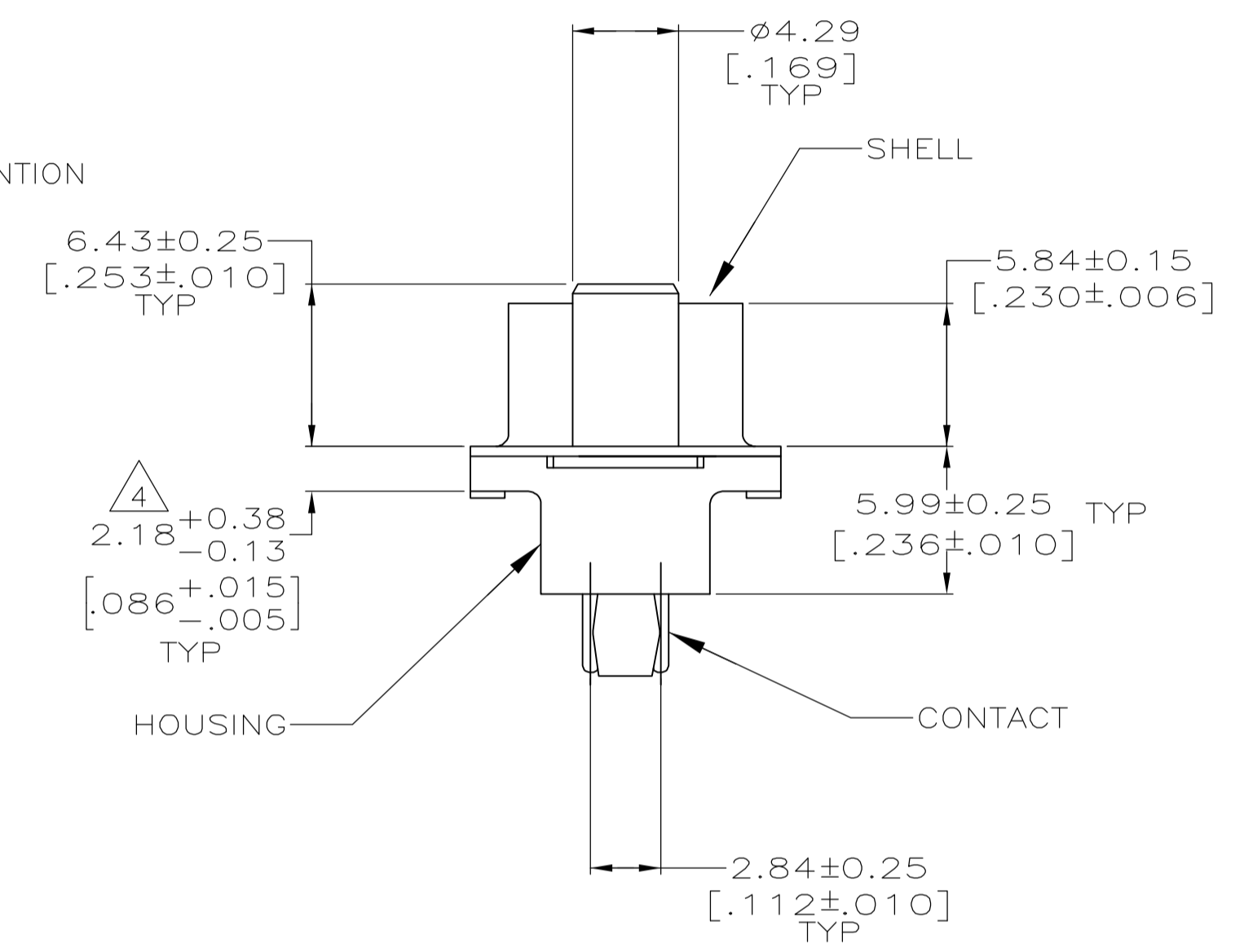
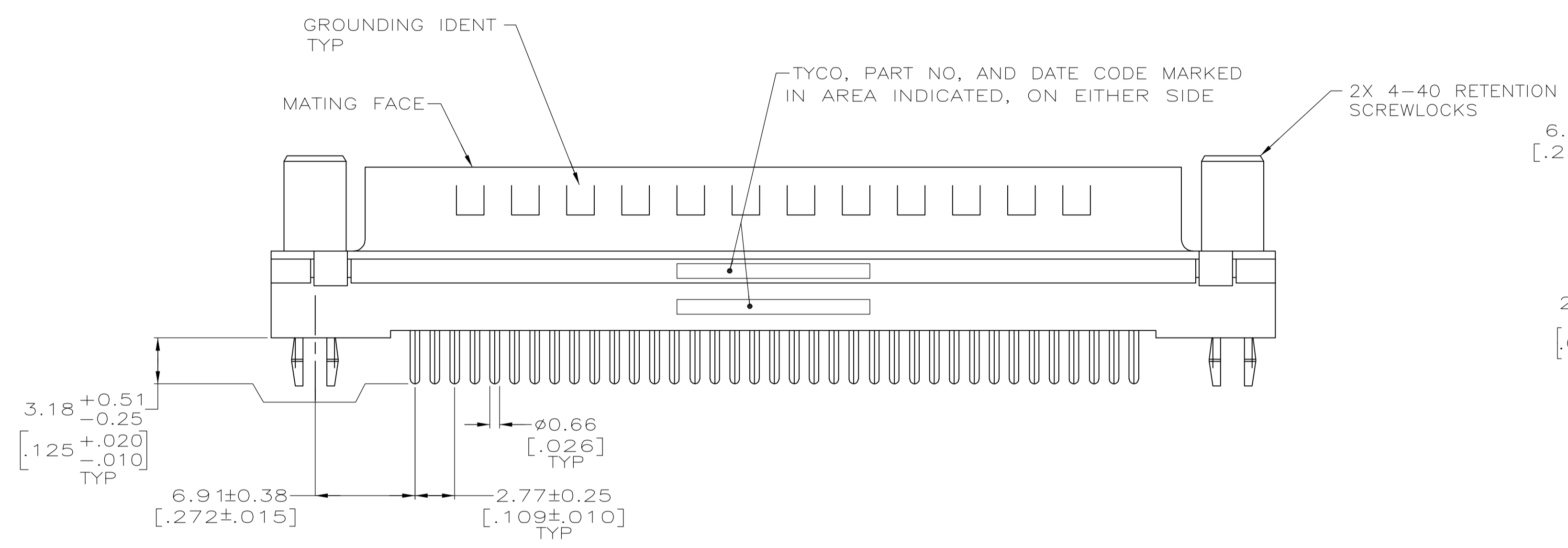


- △ HOUSING: POLYESTER, UL 94V-0 RATED, COLOR BLACK.
- CONTACTS: PHOSPHOR BRONZE.
- RETENTION SCREWLOCKS: BRASS.
- SHELL: CARBON STEEL.
- △ SHELL: 5.08um [.000200] MIN TIN OVER 2.54um [.000100] MIN COPPER.
- CONTACTS: 0.76um [.000030] MIN GOLD FOR A LENGTH OF 3.81 [.150] MIN FROM MATING END, 2.54um [.000100] MIN TIN ON OPPOSITE END, BOTH OVER 1.27um [.000050] MIN NICKEL.
- OR-
- GOLD FLASH OVER 0.76um [.000030] MIN PALLADIUM NICKEL PLATED FOR A LENGTH OF 3.81 [.150] MIN FROM MATING END, 2.54um [.000100] MIN TIN ON OPPOSITE END, BOTH OVER 1.27um [.000050] MIN NICKEL.
- RETENTION SCREWLOCKS: 2.54um [.000100] MIN TIN OVER 1.27um [.000050] MIN NICKEL OVER COPPER FLASH.
- △ DATUMS AND BASIC DIMENSIONS ESTABLISHED BY CUSTOMER.
- △ 2.79[.110] MAX IN SHELL TAB CLINCH AREAS.



RECOMMENDED PC BOARD MOUNTING DIMENSIONS  
 1.57[.062] PC BOARD THICKNESS

5787686-1  
 PART NUMBER

THIS DRAWING IS A CONTROLLED DOCUMENT.		DIN B LATTUCA 03OCT05		Tyco Electronics Corporation Harrisburg, PA 17105-3608	
DIMENSIONS: mm [ INCHES ]		CHK S BOLASH 03OCT05		NAME M WALMSLEY 03OCT05	PLUG ASSEMBLY, SIZE 4, 37 POSITION, FRONT METAL SHELL, RETENTION SCREWLOCKS, AMPLIMITE HD-20
TOLERANCES UNLESS OTHERWISE SPECIFIED:		0 PLC ± - 1 PLC ± - 2 PLC ± 0.13 [.005] 3 PLC ± - 4 PLC ± - ANGLES ± -		PRODUCT SPEC 108-40025	APPLICATION SPEC 114-40023
MATERIAL		FINISH		SIZE A1	CAGE CODE DRAWING NO 00779 C=5787686
1		2		WEIGHT	CUSTOMER DRAWING SCALE 4:1 SHEET 1 OF 1 REV B