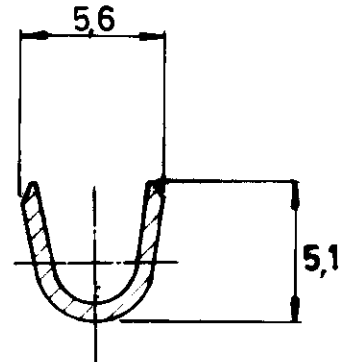
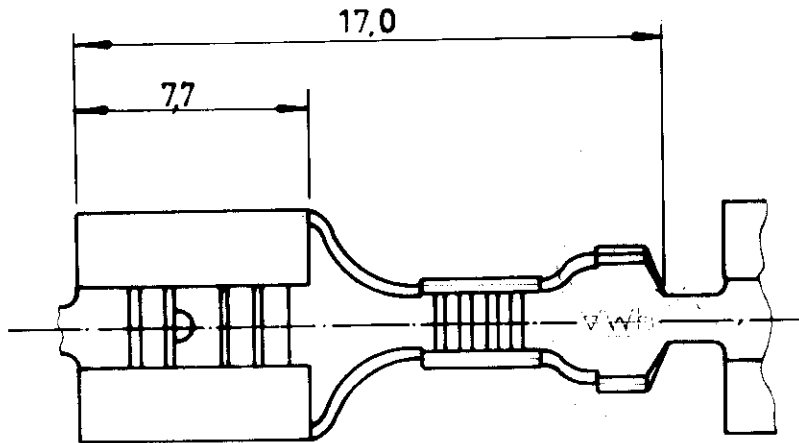
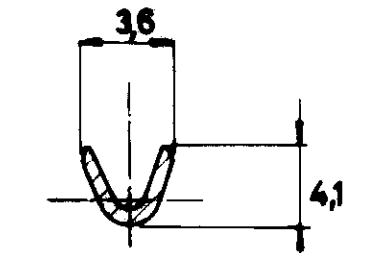
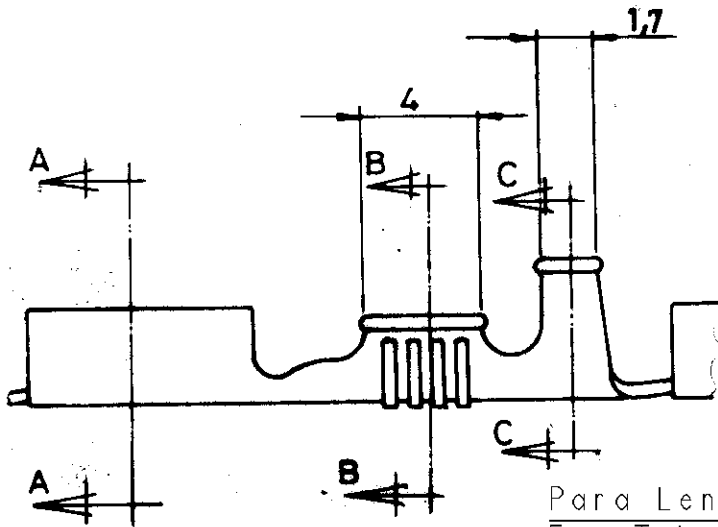


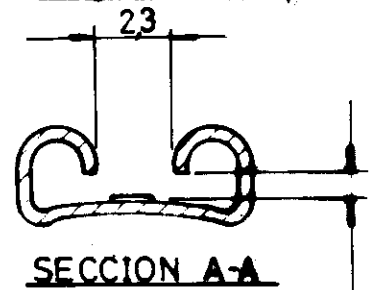
LOC		DIST		REVISIONS			
P	LTR	DESCRIPTION		DATE	DWN	APVD	
AL	2	G		REVISED PER ES00-0011-04	15JAN2004	JL	JL



SECCION C C



SECCION B-B



SECCION A-A

Para Lengüeta de 0,8 mm espesor  
For Tab of 0,8 mm thickness

WIRE RANGE: 1.0-2.5 MM<sup>2</sup>  
INS. RANGE Ø : 4.3 MAX.

PRE-TIN	BRASS	1-735220-2
SILVER	BRASS	735220-5
TIN-PLATE	BRONZE	735220-4
----	BRONZE	735220-3
TIN-PLATE	BRASS	735220-2
----	BRASS	735220-1
FINISH	MATERIAL	PART MUNBER

THIS DRAWING IS UNPUBLISHED. BY TYCO ELECTRONICS CORPORATION. ALL RIGHTS RESERVED. COPYRIGHT 20

DIMENSIONS: mm	DWN J. LAZARO	22JAN98	MATERIAL	FINISH		
	CHK L. BATLLO	22JAN98	Tyco Electronics Barcelona Spain			
TOLERANCES UNLESS OTHERWISE SPECIFIED:	APVD L. BATLLO	22JAN98			NAME FASTON RECEPTACLE 6.35 MM RECEP. FASTON 6.35 MM	
	0 PLC ±-	PRODUCT SPEC	SIZE	CAGE CODE	DRAWING NO	RESTRICTED TO
1 PLC ±GENERAL	108	APPLICATION SPEC	A4	00779	G=735220	-
2 PLC ±TOLERANCES	WEIGHT	-	SCALE 4:1		SHEET 1 OF 1	REV G
3 PLC ±0.3	CUSTOMER DRAWING	-				
4 PLC ±00						
ANGLES ±0° 1'						