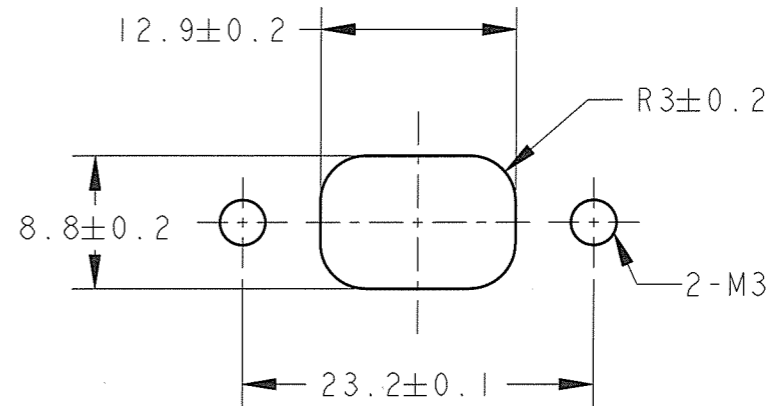
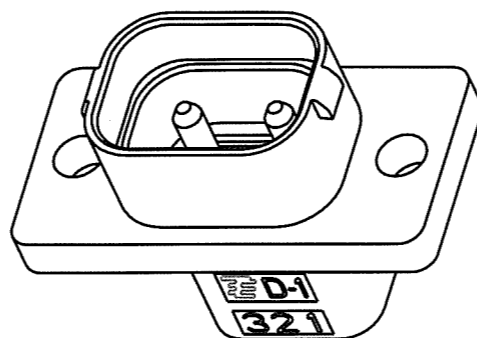
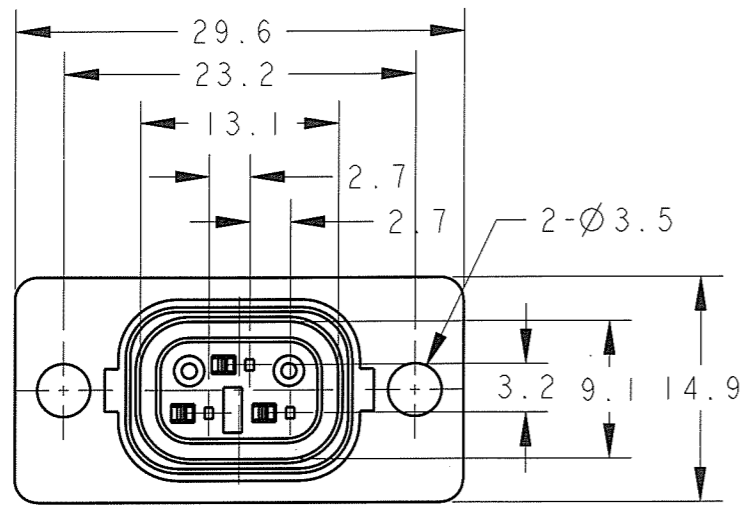
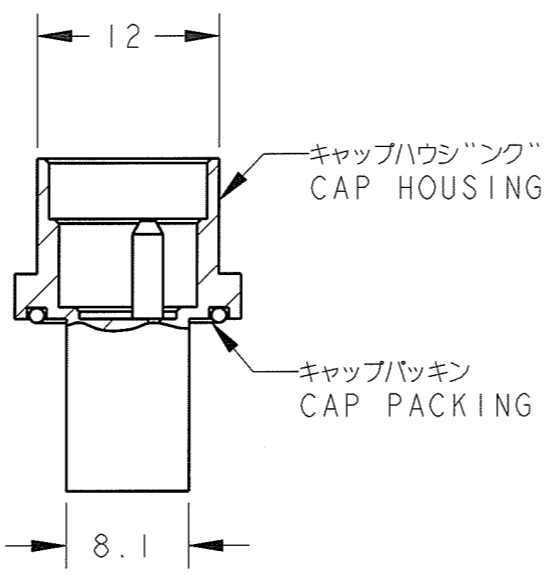
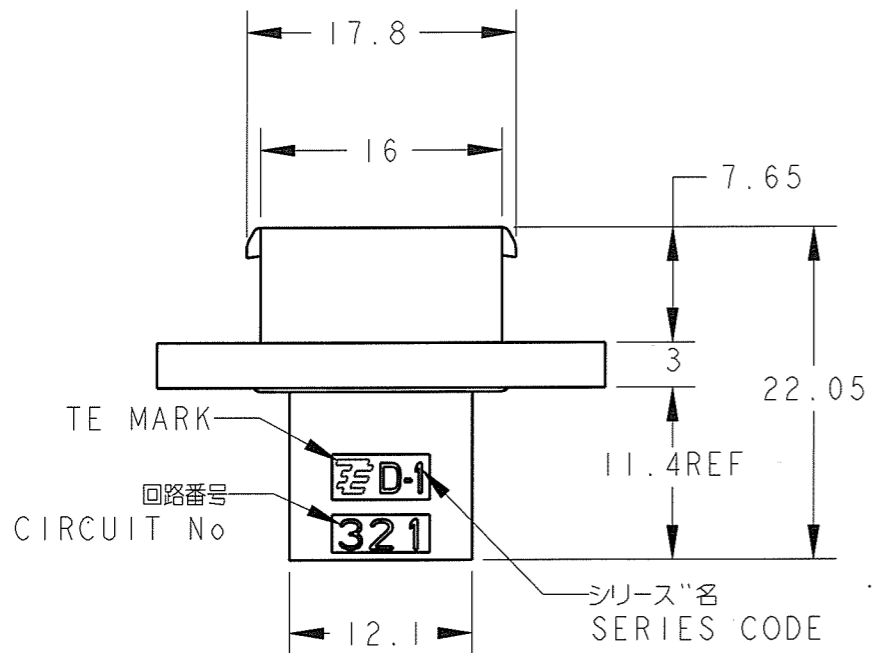


LOC	DIST	REVISIONS					
		P	LTR	DESCRIPTION	DATE	DWN	APVD
J	-		A	RELEASED	03DEC2008	T.S	A.O

AS SHOWN: 2013892-1

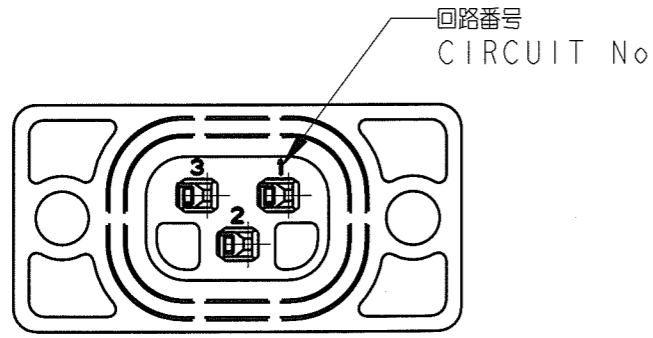


ハ°ネル加工推奨寸法図
 RECOMMEND PANEL LAYOUT



- 注記
- 材料: キャップハウジング: 熱可塑性ポリエステル樹脂 黒色
 : キャップパッキン: シリコン 色: 黒色
 - 嵌合相手型番: フラクハウジング 3P P/No 2013891-1

- NOTES
- MATERIAL
 : CAP HOUSING: GLASS FIELD THERMO PLASTIC POLYESTER, COLOR: BLACK
 : CAP PACKING: SILICON, COLOR: BLACK
 - MATING CONN: PLUG HSG 3P P/No 2013891-1



<small>THIS DRAWING IS A CONTROLLED DOCUMENT FOR TYCO ELECTRONICS CORPORATION IT IS SUBJECT TO CHANGE AND THE CONTROLLING ENGINEERING ORGANIZATION SHOULD BE CONTACTED FOR THE LATEST REVISION.</small>		DWN T. Sakamoto 03DEC2008	Tyco Electronics Corporation Kawasaki, Japan			
DIMENSIONS: mm 	TOLERANCES UNLESS OTHERWISE SPECIFIED: 0 PLC ± 1 PLC ± ±0.3 2 PLC ± ±3° 3 PLC ± ±3° 4 PLC ± ± ANGLES ±	CHK A. Ooishi 03DEC2008	NAME			
		APVD A. Ooishi 03DEC2008	CAP HSG 3P ASSY FAN MOTOR CONNECTOR <DYNAMIC D-1 WATERPROOF>			
MATERIAL	FINISH	PRODUCT SPEC 108-78519	SIZE	CAGE CODE	DRAWING NO	RESTRICTED TO
		APPLICATION SPEC 114-5377	A3	00779	C-2013892	-
CUSTOMER DRAWING		WEIGHT	SCALE 2:1		SHEET 1 OF 1	REV A