

PC Board Sockets

SOCKETS

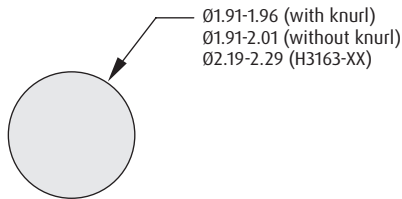
Ø1.00mm Mating Pin

- Compatible with Ø1.00mm mating pins – see table below.
- Knurled option available for added pin retention.
- Construction uses four finger Beryllium Copper contact from M300 range.



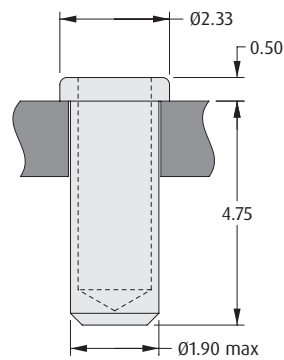
Specifications

Mating pin size: Ø0.90 - 1.05mm
 Contact depth: 3.55mm max
 Pin length: See individual sockets



Recommended PC Board Pattern

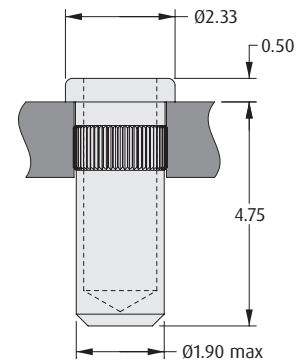
4.75mm BODY LENGTH



ORDER CODE	FINISH
H3183-01	Gold contact, Tin shell
H3183-05	Gold contact, Gold shell

Maximum Pin Length = 4.60mm

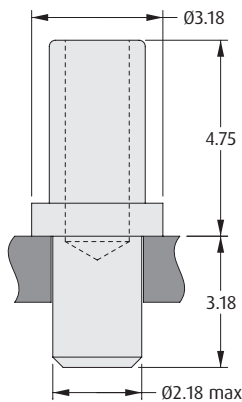
4.75mm BODY, KNURL



ORDER CODE	FINISH
H3161-01	Gold contact, Tin shell
H3161-05	Gold contact, Gold shell

Maximum Pin Length = 4.60mm

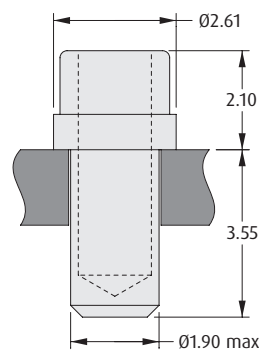
RAISED SHOULDER



ORDER CODE	FINISH
H3163-01	Gold contact, Tin shell
H3163-05	Gold contact, Gold shell

Maximum Pin Length = 5.00mm

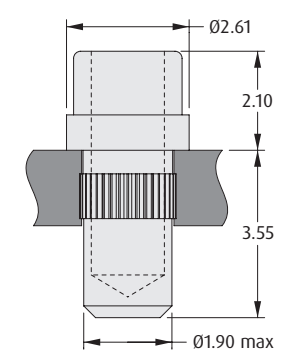
3.55mm BODY LENGTH



ORDER CODE	FINISH
H3182-01	Gold contact, Tin shell
H3182-05	Gold contact, Gold shell

Maximum Pin Length = 4.85mm

3.55mm BODY, KNURL



ORDER CODE	FINISH
H3165-01	Gold contact, Tin shell
H3165-05	Gold contact, Gold shell

Maximum Pin Length = 4.85mm

All dimensions in mm.