

THIS IS ISSUED IN STRICT CONFIDENCE THAT IT IS NOT USED AS A BASIS FOR MANUFACTURE OR SALE AND THAT IT IS NOT COPIED, REPRINTED OR DISCLOSED TO A THIRD PARTY EITHER WHOLLY OR IN PART WITHOUT THE PRIOR WRITTEN CONSENT OF CAL TEST ELECTRONICS, INC.

- 4mm SAFETY JACK, REAR MOUNT, HORIZONTAL PCB.
- SPECIFICATIONS:
INSULATOR: RHODIA ENGINEERING, POLYAMIDE 66, A205F, V-2 OR BETTER, UL QMFZ2.
CONTACT: BRASS, NICKEL PLATED, 80-160 microinches.
- RATING:
VOLTAGE: 1000 V CAT III P2.
CURRENT: 25 A MAX.
RESISTANCE: <5mΩ.
TEMPERATURE: -20° C TO +80° C.
- MOUNTING: REF. DIAGRAM.
- MAXIMUM PANEL THICKNESS: .12 (3).
- MODEL CT3151XX-#, UL RECOGNIZED COMPONENT, CCN: PICQ2, PICQ8
FILE NUMBER: E315929.
- MODELS ARE RoHS COMPLIANT.
- STANDARDS: UL 61010-1; CAN/CSA-C22.2 NO. 61010-1.

PART NUMBER

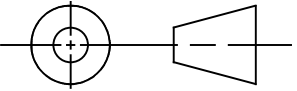
CT3151xx-#

DIM. "A":

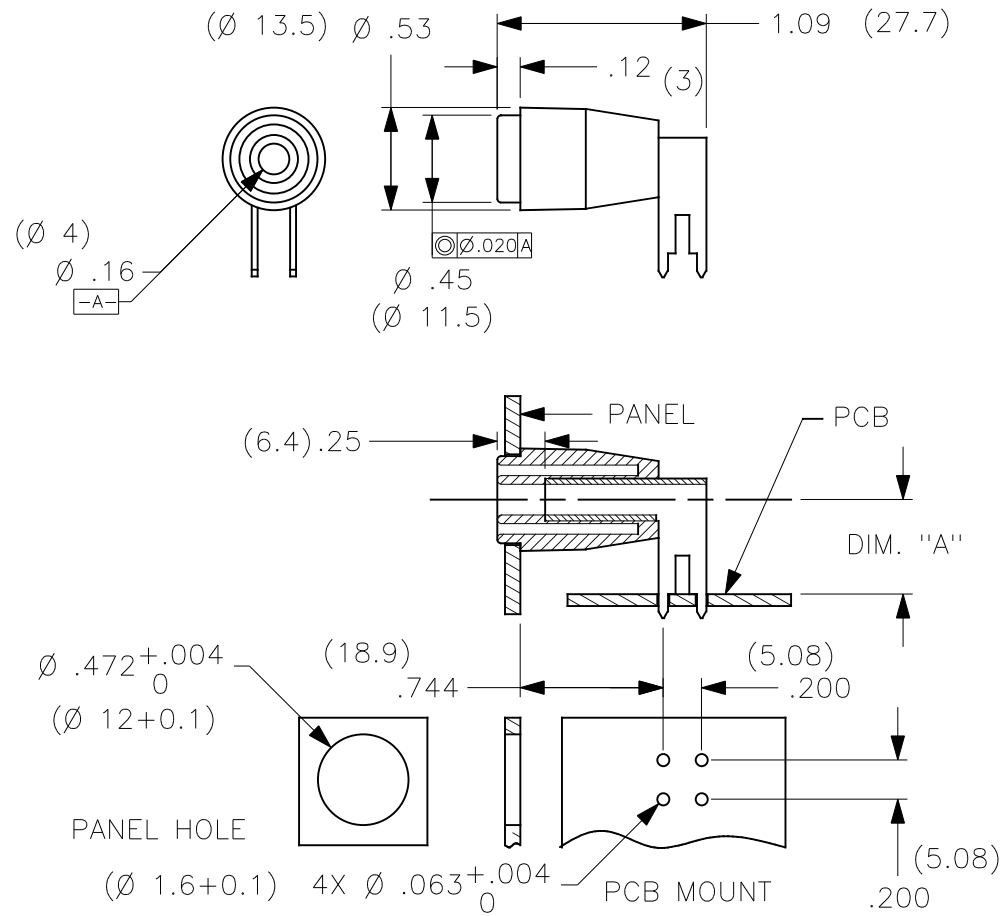
'blank' - .492" (12.5 mm)
SP - .300" (7.6 mm)

- COLOR:
- 0 - BLACK
 - 1 - BROWN
 - 2 - RED
 - 4 - YELLOW
 - 5 - GREEN
 - 6 - BLUE
 - 7 - PURPLE
 - 8 - GRAY
 - 9 - WHITE

REVISIONS			
REV.	DESCRIPTIONS	DATE	APPROVED
-	CLASS A RELEASED	10/13/03	
A	Added Dim. "A" and table.	6/20/06	
B	Note 2., Added Alt. Matl. 2; Note 3., was IEC61010-031; Added notes 6 & 7.	12/20/07	
C	Note 2., Deleted Alt. 1 & 2 (PP); Note 3., was UL61010B-1; Deleted Note 6.	1/25/08	
D	Added Sheet 2 w/line drawing; Note 2., Revised insulator material was A221.	6/27/08	
E	P1, added UL notation, Note 6; P2 added concentricity notation to diagram.	5/22/09	
F	P1, Updated UL information; added note 8.	5/28/12	

THIRD ANGLE PROJECTION		UNLESS OTHERWISE SPECIFIED DIMENSIONS ARE IN INCHES TOLERANCES ARE: FRACTIONS DECIMALS ± 1/32 .XX ± .02 .XXX ± .005 DO NOT SCALE DRAWING	CONTRACT NO.		Cal Test Electronics 22820 Savi Ranch Parkway Yorba Linda, CA 92887-4610			
			APPROVALS	DATE				
MATERIAL		DRAWN WDH	10/13/03	SIZE	CAGE CODE	DWG. NO.	REV.	
FINISH		CHECKED		A	43F45	P315100	F	
NEXT ASSY	USED ON	ENGR.		SCALE	1:1	P315100_rF.pdf	SHEET	
APPLICATION		DESIGN ACTIVITY					1 OF 2	

THIS IS ISSUED IN STRICT CONFIDENCE THAT IT IS NOT USED AS A BASIS FOR MANUFACTURE OR SALE AND THAT IT IS NOT COPIED, REPRINTED OR DISCLOSED TO A THIRD PARTY EITHER WHOLLY OR IN PART WITHOUT THE PRIOR WRITTEN CONSENT OF CAL TEST ELECTRONICS, INC.



DRAWN		6/27/08		SIZE	CAGE CODE	DWG. NO.	REV.
WDH				A	43F45	P315100	F
CHECKED				SCALE	P315100_rF.pdf	SHEET	2 OF 2
				1:1			