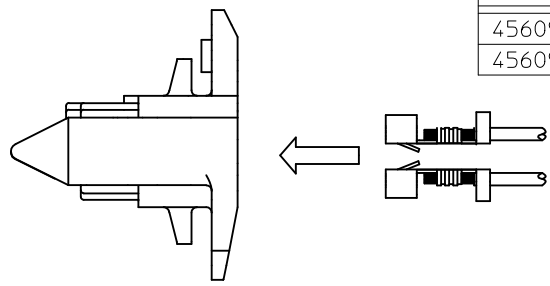
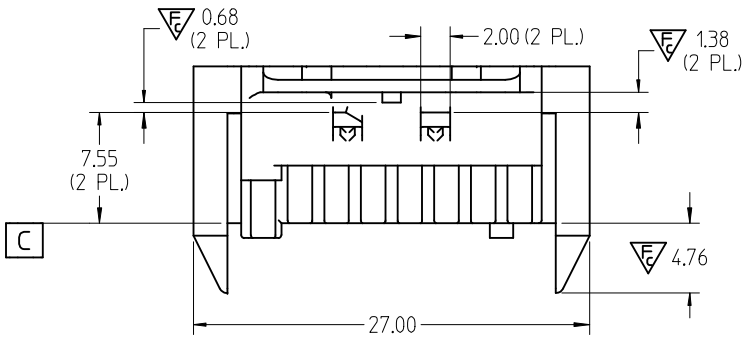
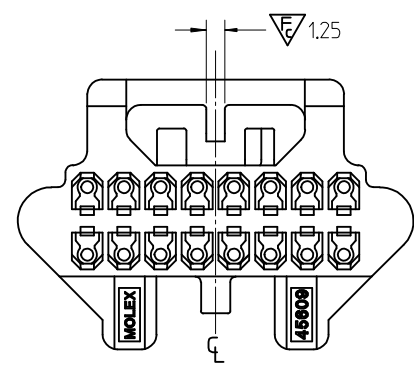
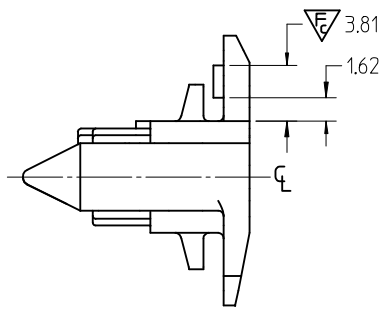
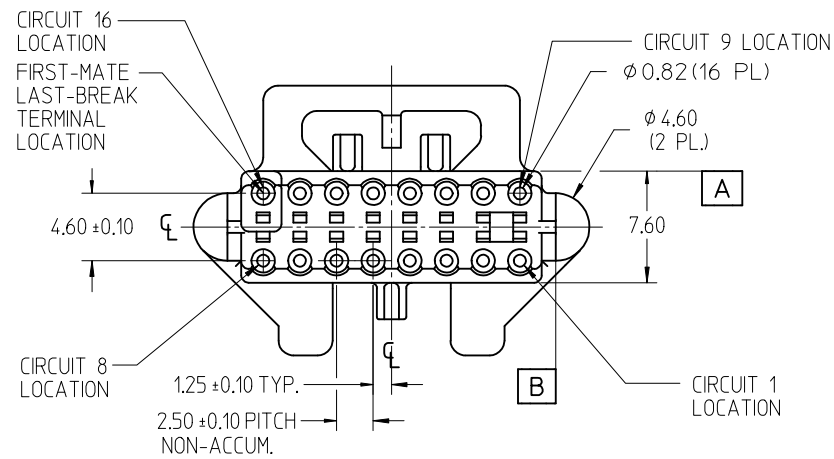


10 9 8 7 6 5 4 3 2 1

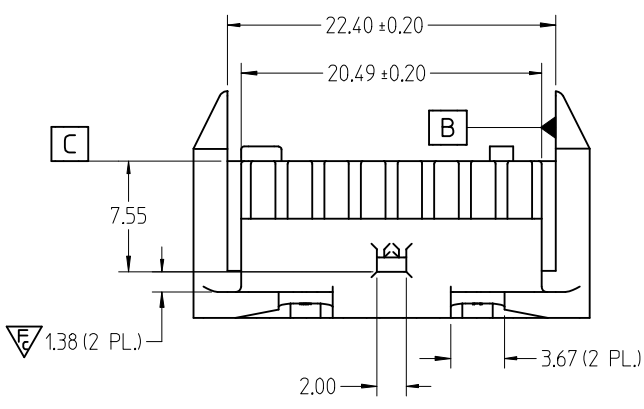
MOLEX P/N	MATERIAL	COLOR	MFLB CKTS
45609-0001	VALOX 357	BLACK	POSITION 16
45609-0002	VALOX 357	BLACK	POSITION 8 & 16



TERMINALS ARE TO BE ORIENTED AND LOADED INTO THE HOUSING AS SHOWN ABOVE



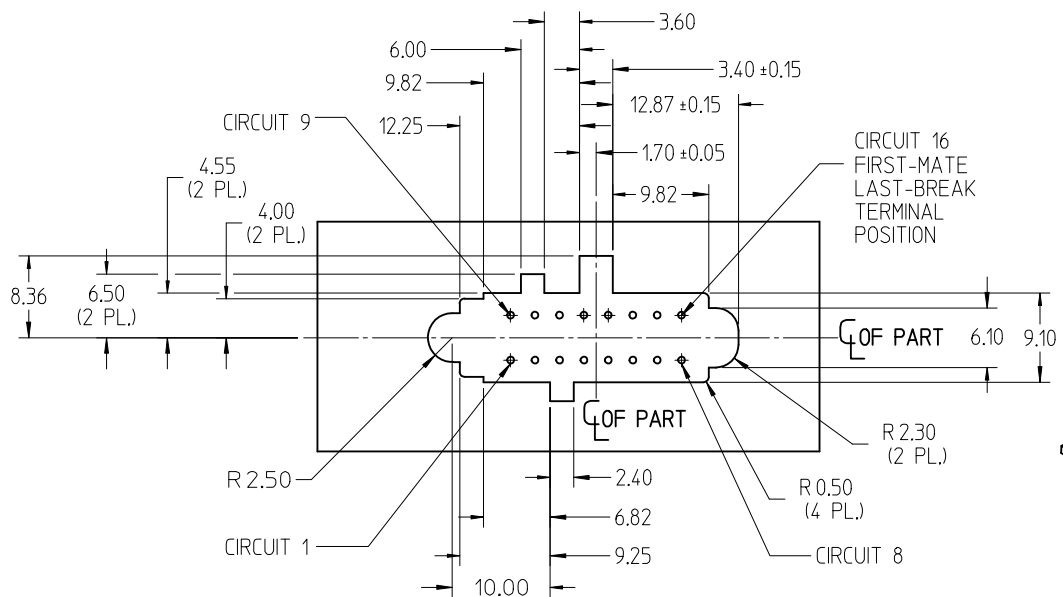
- NOTES:
1. MATERIAL: POLYESTER, UL94V-0, COLOR: BLACK.
 2. PRODUCT SPECIFICATION: TBD.
 3. USE FEMALE CRIMP TERMINAL, 08-70-1047 ONLY. (NOTE ORIENTATION OF TERMINALS)
 4. PART MATES WITH MOLEX HEADER ASSEMBLY SERIES 45608.
 5. PACKAGING: BULK.
 6. SEE PAGE 2 OF 2 FOR PANEL CUOUT DIMENSIONS AND THE ALLOWED BOARD TO PANEL MISALIGNMENT.



REVISE NOTE 3 EC NO: UCP2013-1206 DRWN:BBE 2012/09/25 CHKD:HK/PPER 2012/09/28 APPR:FSMITH 2012/10/12	QUALITY SYMBOLS ∇=0 ∇=6 ∇=0	GENERAL TOLERANCES (UNLESS SPECIFIED)		DIMENSION STYLE MM ONLY		SCALE 3:1	DESIGN UNITS METRIC	THIRD ANGLE PROJECTION	
		4 PLACES ± --- ± --- 3 PLACES ± --- ± --- 2 PLACES ± 0.25 ± --- 1 PLACE ± 0.3 ± --- 0 PLACE ± ±	mm INCH	DRAWN BY TGREGORI	DATE 2003/12/18	TITLE SPOX BMI RECEPTACLE HOUSING DUAL ROW PANEL MOUNT, 16 CKT			
		ANGULAR ± 1/2° DRAFT WHERE APPLICABLE MUST REMAIN WITHIN DIMENSIONS		CHECKED BY MCARRANZ	DATE 2009/07/24	MATERIAL NO. SEE TABLE		DOCUMENT NO. SD-45609-001	SHEET NO. 1 OF 3
		SIZE B		THIS DRAWING CONTAINS INFORMATION THAT IS PROPRIETARY TO MOLEX INCORPORATED AND SHOULD NOT BE USED WITHOUT WRITTEN PERMISSION					

9 8 7 6 5 4 3 2 1

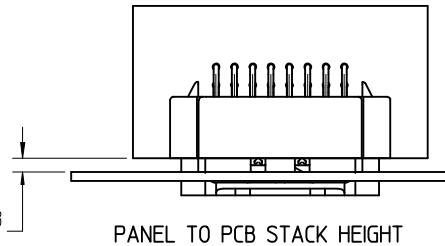
10 9 8 7 6 5 4 3 2 1



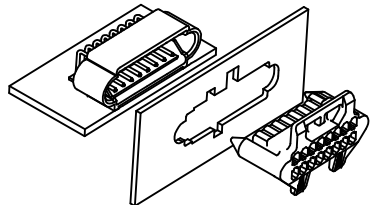
PANEL CUTOUT
PANEL THICKNESS 1.20±0.12mm

Normal pin-wipe
Max=3.43mm
Min= 2.07mm
First make last break-wipe
Max=4.48mm
Min=3.02mm

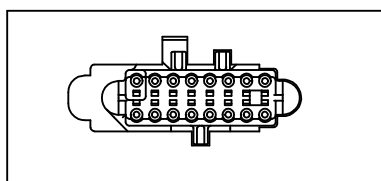
$\nabla_{FC} 1.91^{+0.23}_0$



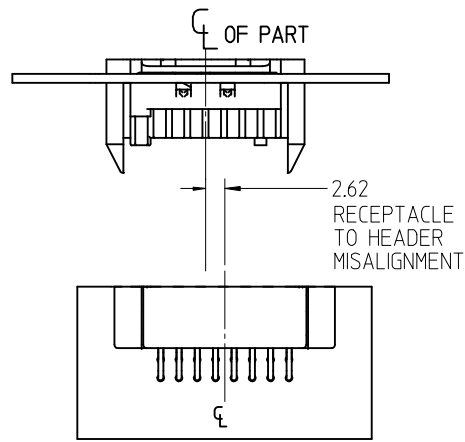
PANEL TO PCB STACK HEIGHT



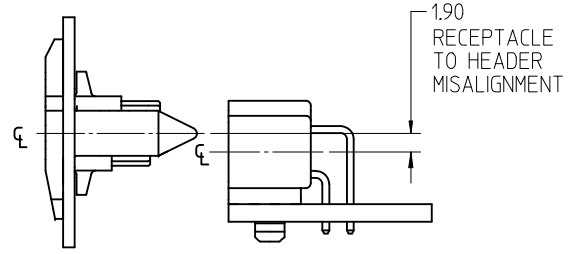
REAR-ENTRY PANEL MOUNT ISOMETRIC VIEW



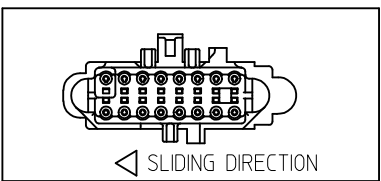
RECEPTACLE
INSERT POSITION



2.62
RECEPTACLE
TO HEADER
MISALIGNMENT



190
RECEPTACLE
TO HEADER
MISALIGNMENT



SLIDING DIRECTION

RECEPTACLE SLIDES
INTO MOUNTED POSITION

SEE SHEET 1 EC NO: UCP2013-1206 DRWN:BBEE 2012/09/25 CHKD:HKIPPER 2012/09/28 APPR:FSMITH 2012/10/12	B2 REV DESCRIPTION	QUALITY SYMBOLS	GENERAL TOLERANCES (UNLESS SPECIFIED)	DIMENSION STYLE MM ONLY		SCALE 1.5:1	DESIGN UNITS METRIC	THIRD ANGLE PROJECTION		
		$\nabla_{FC}=0$	4 PLACES ± --- ± ---	mm	INCH	DRAWN BY TGREGORI	DATE 2003/12/18	TITLE SPOX BMI RECEPTACLE HOUSING DUAL ROW PANEL MOUNT, 16 CKT		
		$\nabla_{FC}=1$	3 PLACES ± --- ± ---			CHECKED BY MCARRANZ	DATE			
		$\nabla_{FC}=0$	2 PLACES ± 0.25 ± ---			APPROVED BY JCOMERCI	DATE 2009/07/24	DOCUMENT NO. SD-45609-001		
			1 PLACE ± 0.3 ± ---			MATERIAL NO.				
			0 PLACE ± ±	ANGULAR ± 1/2°		SEE TABLE		THIS DRAWING CONTAINS INFORMATION THAT IS PROPRIETARY TO MOLEX INCORPORATED AND SHOULD NOT BE USED WITHOUT WRITTEN PERMISSION		

9 8 7 6 5 4 3 2 1

10 9 8 7 6 5 4 3 2 1

F

E

D

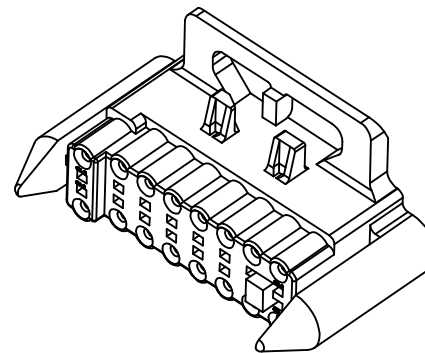
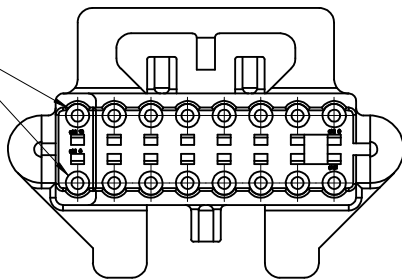
C

B

A

MOLEX P/N	MATERIAL	COLOR	MFLB CKTS
45609-0001	VALOX 357	BLACK	POSITION 16
45609-0002	VALOX 357	BLACK	POSITION 8 & 16

FIRST MAKE
LAST BREAK
CKTS 8 & 16



SEE SHEET 1 EC NO: UCP2013-1206 DRW: BREE 2012/09/25 CHKD: HKIPPER 2012/09/28 APPR: FSMITH 2012/10/12	DESCRIPTION B2	QUALITY SYMBOLS	GENERAL TOLERANCES (UNLESS SPECIFIED)		DIMENSION STYLE MM ONLY		SCALE 3:1	DESIGN UNITS METRIC	THIRD ANGLE PROJECTION
		▽=0	mm	INCH	DRAWN BY TGREGORI	DATE 2003/12/18	TITLE SPOX BMI RECEPTACLE HOUSING DUAL ROW PANEL MOUNT, 16 CKT	DOCUMENT NO. SD-45609-001	SHEET NO. 3 OF 3
		▽=0	4 PLACES ± --- ± ---	3 PLACES ± --- ± ---	CHECKED BY MCARRANZ	DATE			
		▽=0	2 PLACES ± 0.25 ± ---	1 PLACE ± 0.3 ± ---	APPROVED BY JCOMERC I	DATE 2009/07/24			
DRAFT WHERE APPLICABLE MUST REMAIN WITHIN DIMENSIONS			ANGULAR ±1/2°		MATERIAL NO. SEE TABLE		THIS DRAWING CONTAINS INFORMATION THAT IS PROPRIETARY TO MOLEX INCORPORATED AND SHOULD NOT BE USED WITHOUT WRITTEN PERMISSION		

9 8 7 6 5 4 3 2 1