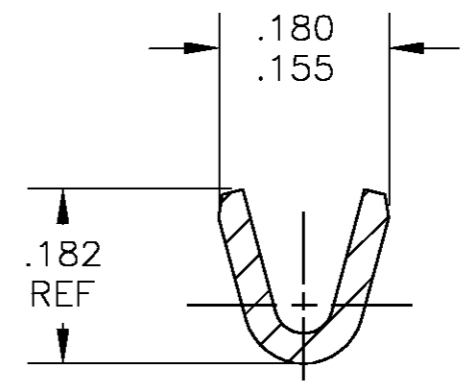
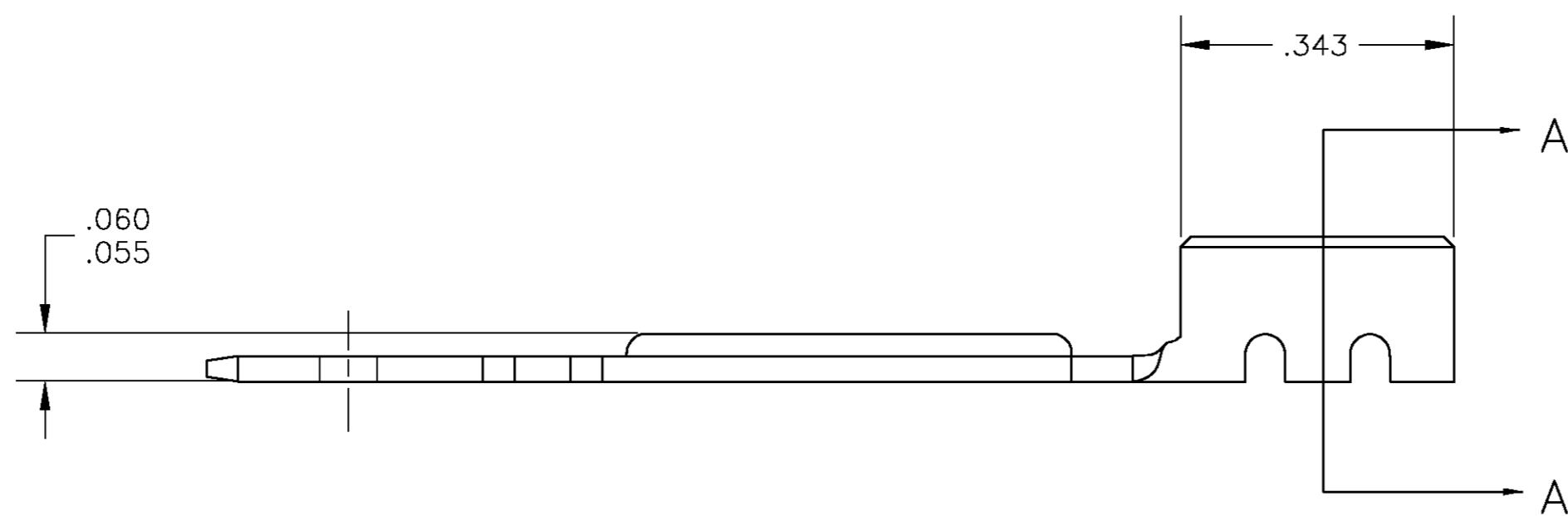
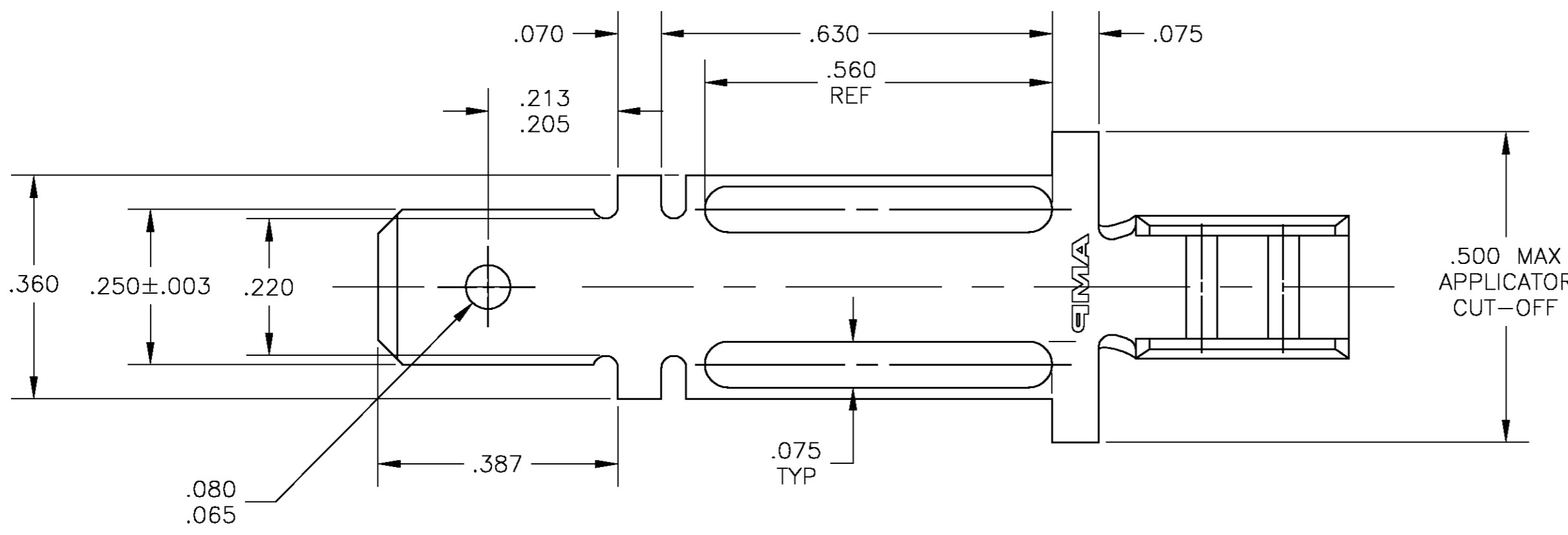


THIS DRAWING IS UNPUBLISHED. RELEASED FOR PUBLICATION
 © COPYRIGHT BY TYCO ELECTRONICS CORPORATION. ALL RIGHTS RESERVED.

LOC	DIST	REVISIONS					
AF	50	P	LTR	DESCRIPTION	DATE	DWN	APVD
		D		REV PER 0G3A-0185-03	24MAR03	JR	PD

- 1 CONTINUOUS STRIP ON REELS
- 2 WIRE SIZE IS 20-15
- 3 SEE SHEET 2 FOR SUGGESTED LOCKING IN CERAMIC.



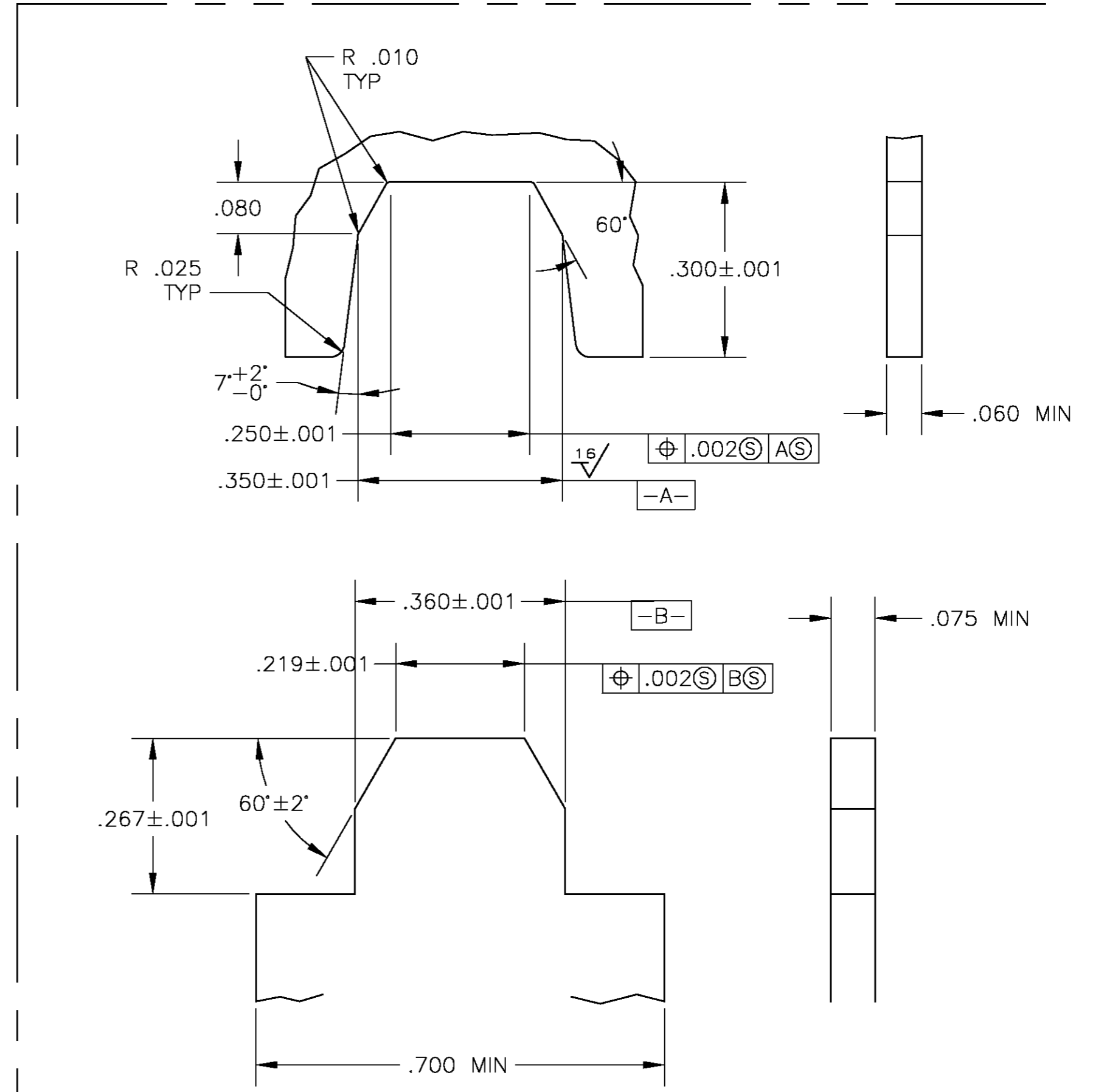
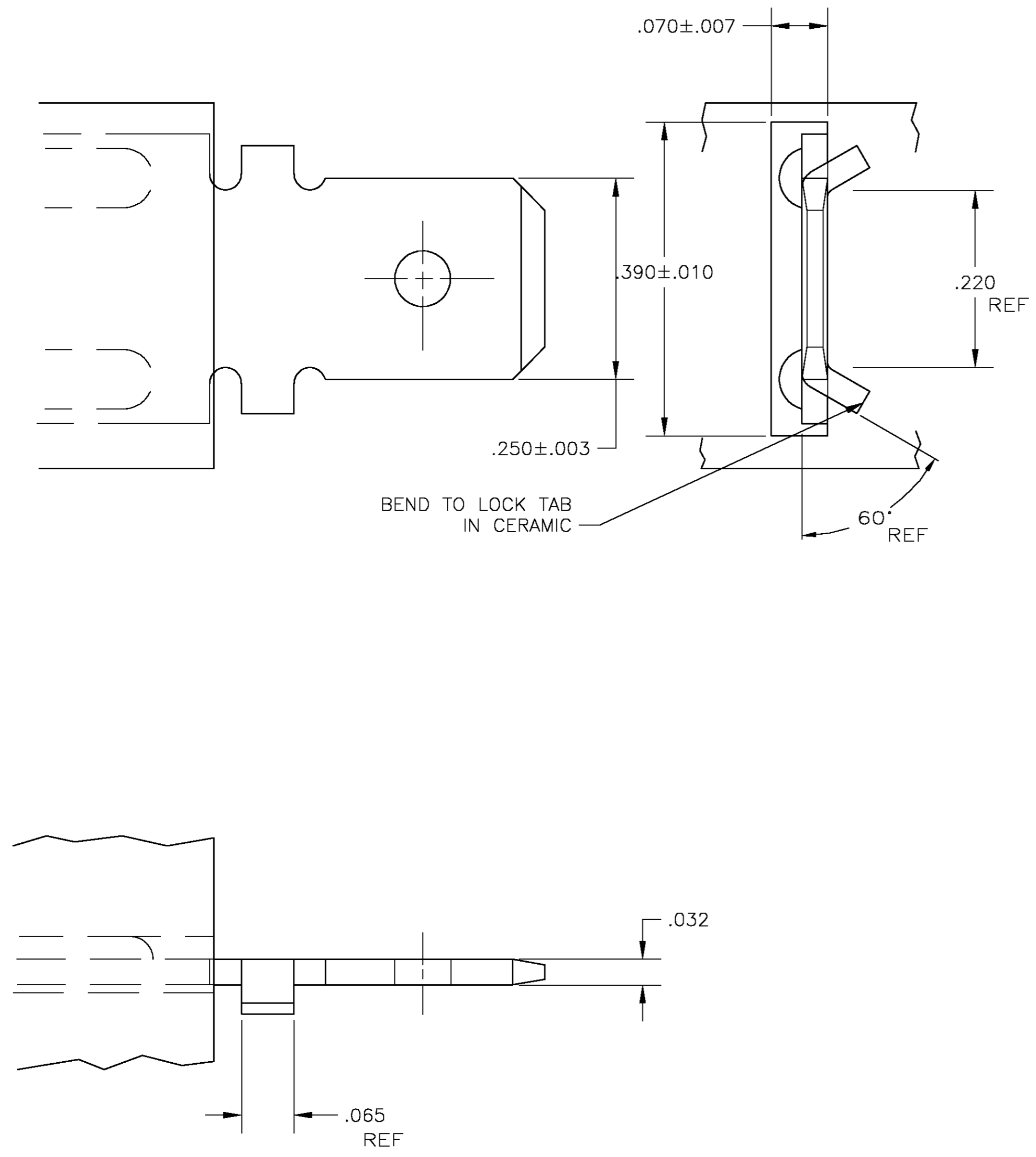
SECTION A-A

1217918-1
PART NO

THIS DRAWING IS A CONTROLLED DOCUMENT.		DWN	JR RUTH	27JAN03	 Tyco Electronics Corporation Harrisburg, PA 17105							
DIMENSIONS: INCHES		CHK	P DESANTIS	27JAN03								
TOLERANCES UNLESS OTHERWISE SPECIFIED:		APVD	P DESANTIS	27JAN03								
0 PLC ± - 1 PLC ± - 2 PLC ± - 3 PLC ± .010 4 PLC ± - ANGLES ± 1°		PRODUCT SPEC	NAME									
MATERIAL: CR STEEL, T2		FINISH	.000100 MIN NICKEL		SIZE	A2	CAGE CODE	00779	DRAWING NO	C=1217918	RESTRICTED TO	-
		WEIGHT	-		SCALE	5:1	SHEET	1	OF	2	REV	D
		CUSTOMER DRAWING										

THIS DRAWING IS UNPUBLISHED. RELEASED FOR PUBLICATION
 © COPYRIGHT BY TYCO ELECTRONICS CORPORATION. ALL RIGHTS RESERVED.

LOC		DIST		REVISIONS			
P	LTR	DESCRIPTION	DATE	DWN	APVD		
AF	50						
		D	SEE SHEET 1				



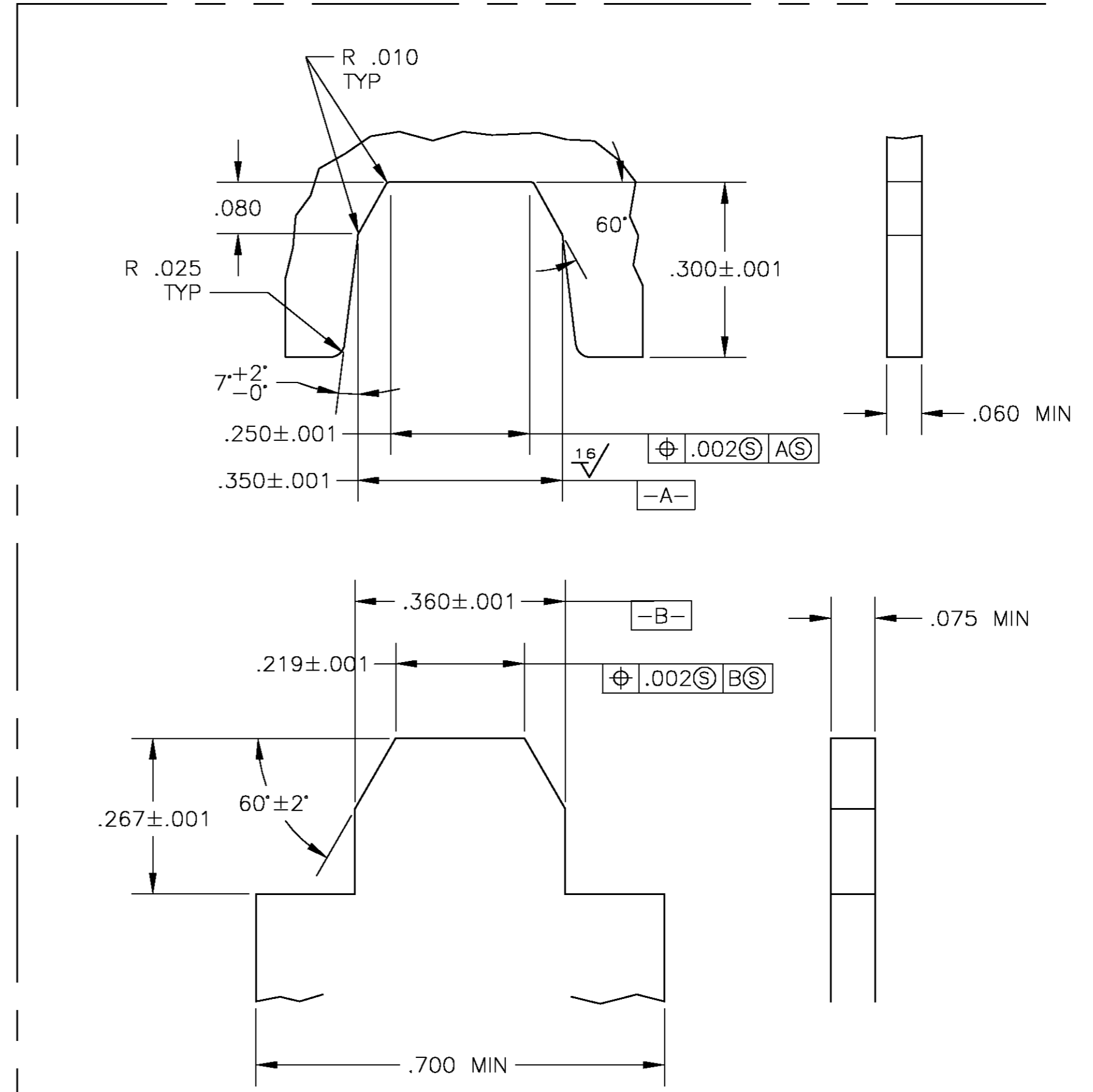
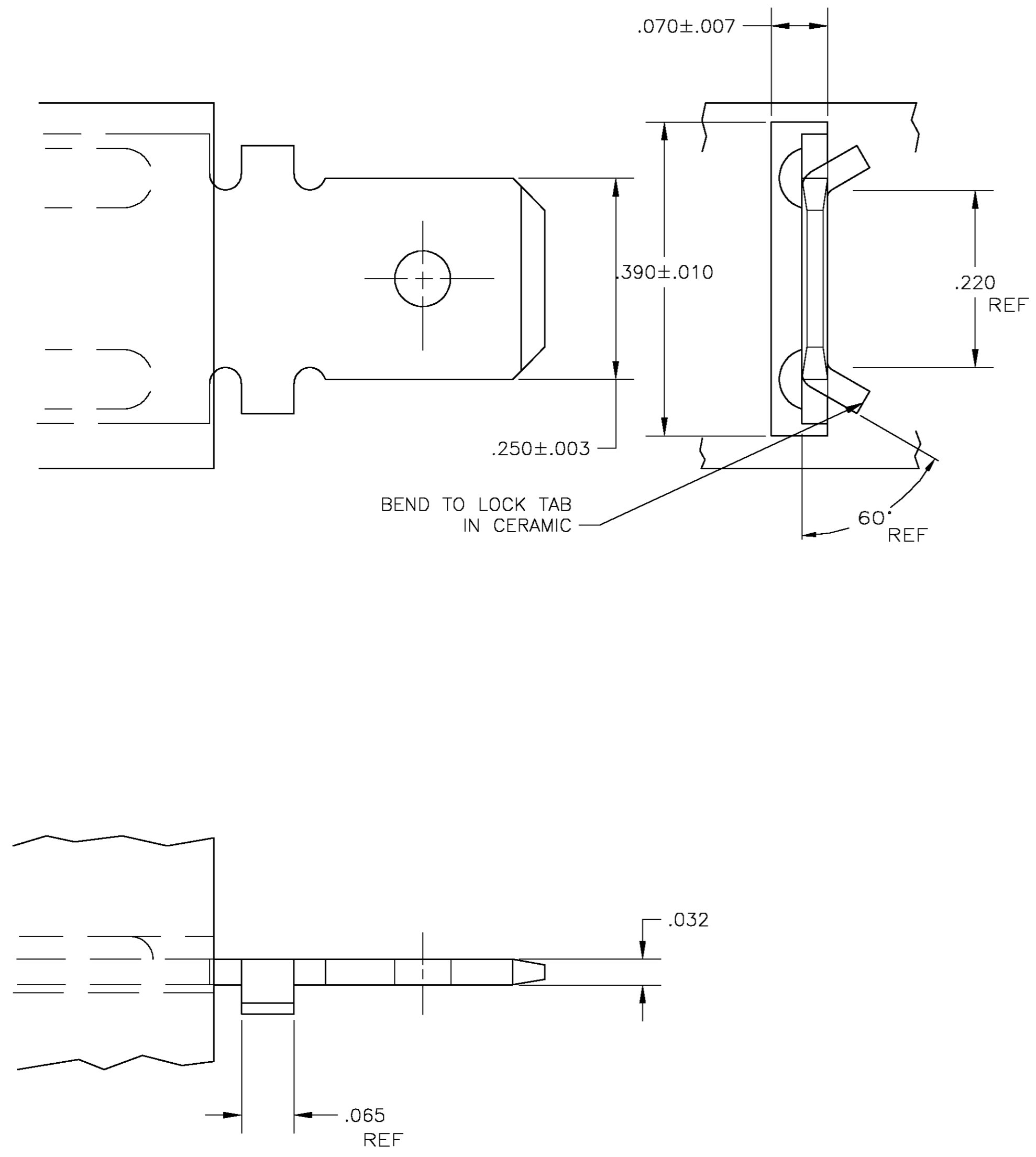
CLINCHERS
 MATL: AISI 3250 Rc 53-55
 TOLERANCES: ±0.13 ±.005

THIS DRAWING IS A CONTROLLED DOCUMENT.		DWN	JR RUTH	27JAN03	 Tyco Electronics Corporation Harrisburg, PA 17105																											
DIMENSIONS: INCHES		CHK	P DESANTIS	27JAN03																												
TOLERANCES UNLESS OTHERWISE SPECIFIED:		APVD	P DESANTIS	27JAN03																												
<table border="1"> <tr><td>0</td><td>PLC</td><td>±</td><td>-</td></tr> <tr><td>1</td><td>PLC</td><td>±</td><td>-</td></tr> <tr><td>2</td><td>PLC</td><td>±</td><td>-</td></tr> <tr><td>3</td><td>PLC</td><td>±</td><td>.010</td></tr> <tr><td>4</td><td>PLC</td><td>±</td><td>-</td></tr> <tr><td colspan="2">ANGLES</td><td>±</td><td>-</td></tr> <tr><td colspan="2">FINISH</td><td></td><td></td></tr> </table>		0	PLC	±		-	1	PLC	±	-	2	PLC	±	-	3	PLC	±	.010	4	PLC	±	-	ANGLES		±	-	FINISH				PRODUCT SPEC	
0	PLC	±	-																													
1	PLC	±	-																													
2	PLC	±	-																													
3	PLC	±	.010																													
4	PLC	±	-																													
ANGLES		±	-																													
FINISH																																
MATERIAL: CRS		APPLICATION SPEC	114-2097		NAME																											
		WEIGHT	-		TAB, NI-CHROME WIRE, .250 SERIES																											
		CUSTOMER DRAWING			SIZE																											
					A2																											
					CAGE CODE																											
					00779																											
					DRAWING NO																											
					C=1217918																											
					RESTRICTED TO																											
					-																											
					SCALE																											
					8:1																											
					SHEET																											
					2 OF 2																											
					REV																											
					D																											

1217918

THIS DRAWING IS UNPUBLISHED. RELEASED FOR PUBLICATION
 © COPYRIGHT BY TYCO ELECTRONICS CORPORATION. ALL RIGHTS RESERVED.

LOC		DIST		REVISIONS			
P	LTR	DESCRIPTION	DATE	DWN	APVD		
AF	50						
		D	SEE SHEET 1				



CLINCHERS
 MATL: AISI 3250 Rc 53-55
 TOLERANCES: ± 0.13 $\pm .005$

THIS DRAWING IS A CONTROLLED DOCUMENT.		DWN	JR RUTH	27JAN03	 Tyco Electronics Corporation Harrisburg, PA 17105																										
DIMENSIONS: INCHES		CHK	P DESANTIS	27JAN03																											
TOLERANCES UNLESS OTHERWISE SPECIFIED:		APVD	P DESANTIS	27JAN03																											
<table border="1"> <tr><td>0</td><td>PLC</td><td>±</td><td>-</td></tr> <tr><td>1</td><td>PLC</td><td>±</td><td>-</td></tr> <tr><td>2</td><td>PLC</td><td>±</td><td>-</td></tr> <tr><td>3</td><td>PLC</td><td>±</td><td>.010</td></tr> <tr><td>4</td><td>PLC</td><td>±</td><td>-</td></tr> <tr><td colspan="2">ANGLES</td><td>±</td><td>-</td></tr> <tr><td colspan="2">FINISH</td><td></td><td></td></tr> </table>		0	PLC	±		-	1	PLC	±	-	2	PLC	±	-	3	PLC	±	.010	4	PLC	±	-	ANGLES		±	-	FINISH				PRODUCT SPEC
0	PLC	±	-																												
1	PLC	±	-																												
2	PLC	±	-																												
3	PLC	±	.010																												
4	PLC	±	-																												
ANGLES		±	-																												
FINISH																															
MATERIAL: CRS		FINISH: NICKEL	APPLICATION SPEC: 114-2097		NAME: TAB, NI-CHROME WIRE, .250 SERIES																										
		WEIGHT: -	SIZE: A2	CAGE CODE: 00779	DRAWING NO: 1217918																										
		CUSTOMER DRAWING	SCALE: 8:1	SHEET: 2 OF 2	REV: D																										

1217918