

THE INFORMATION CONTAINED HEREIN IS CONSIDERED "PROPRIETARY" TO BEL FUSE INC. AND SHALL NOT BE COPIED, REPRODUCED OR DISCLOSED WITHOUT THE WRITTEN APPROVAL OF BEL FUSE INC.

RoHS  
2002/95/EC



ELECTRICAL CHARACTERISTICS @ 25°C

1.0 INDUCTANCE:

(P2-P3)	350uH MIN. @ 0.1V, 100KHz, 8mA DC BIAS
(P4-P5)	350uH MIN. @ 0.1V, 100KHz, 8mA DC BIAS
(P7-P8)	350uH MIN. @ 0.1V, 100KHz, 8mA DC BIAS
(P9-P10)	350uH MIN. @ 0.1V, 100KHz, 8mA DC BIAS

2.0 TURNS RATIO:

(P2-P3):(J1-J2)	1CT : 1CT ± 2%
(P4-P5):(J3-J6)	1CT : 1CT ± 2%
(P7-P8):(J4-J5)	1CT : 1CT ± 2%
(P9-P10):(J7-J8)	1CT : 1CT ± 2%

3.0 RETURN LOSS: 100 OHM REF.

500kHz TO 40MHz	-18dB MIN.
40MHz TO 100MHz	-12+20LOG(f/80MHz) MIN.

4.0 INSERTION LOSS: RS=RL=100 OHMS

100kHz TO 100MHz	1.2dB MAX.
------------------	------------

5.0 CROSS TALK: Ch1-Ch2, Ch1-Ch3, Ch1-Ch4, Ch2-Ch3, Ch2-Ch4, Ch3-Ch4

1MHz TO 30MHz	-35dB MIN.
30MHz TO 80MHz	-24dB MIN.
80MHz TO 100MHz	-25dB MIN.

6.0 CM TO CM REJECTION:

100kHz TO 100MHz	-30dB MIN.
------------------	------------

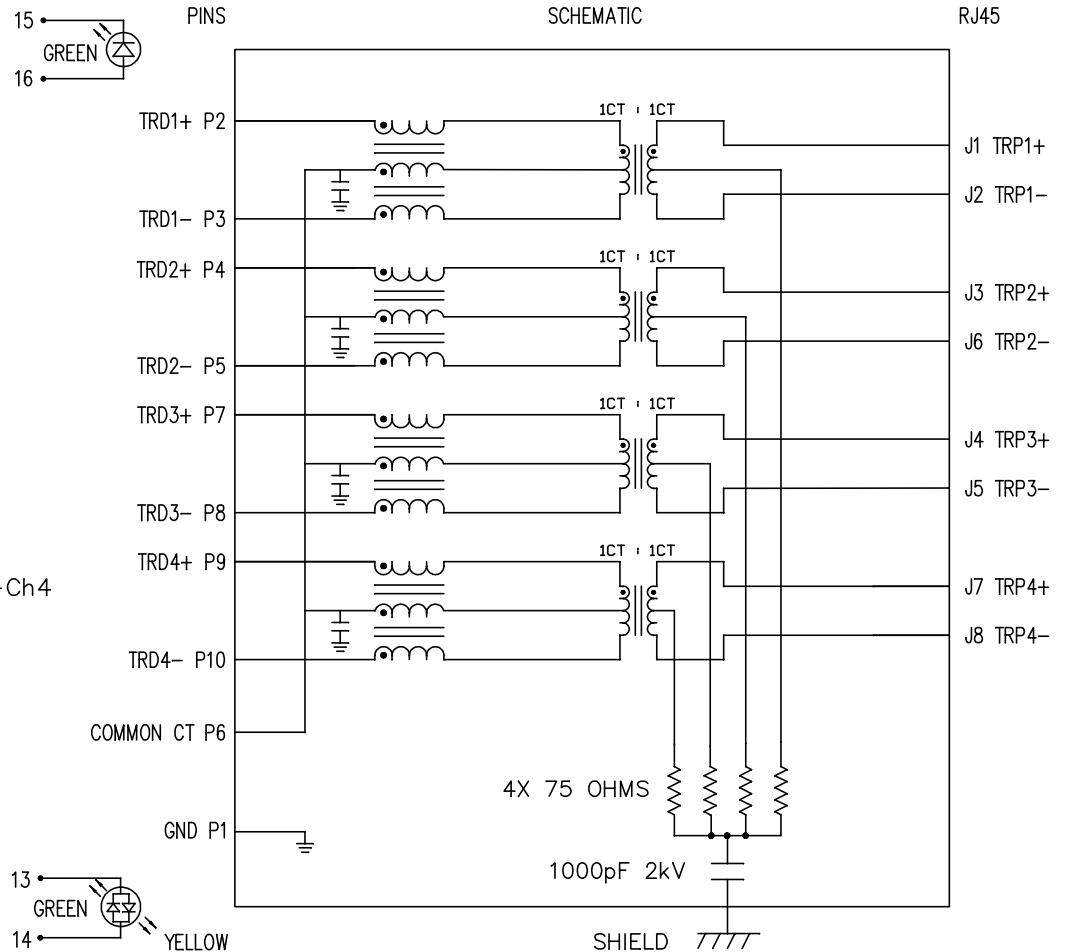
7.0 CM TO DM REJECTION:

100kHz TO 100MHz	-35dB MIN.
------------------	------------

8.0 VOLTAGE WITHSTAND:

(J1,J2) TO (P2,P3)	1500Vrms
(J3,J6) TO (P4,P5)	1500Vrms
(J4,J5) TO (P7,P8)	1500Vrms
(J7,J8) TO (P9,P10)	1500Vrms

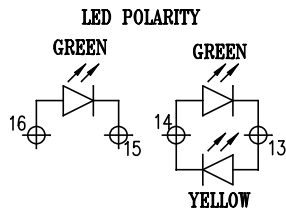
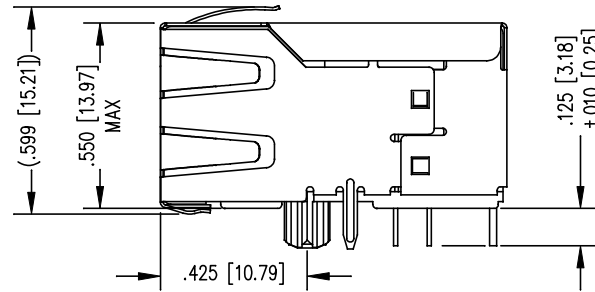
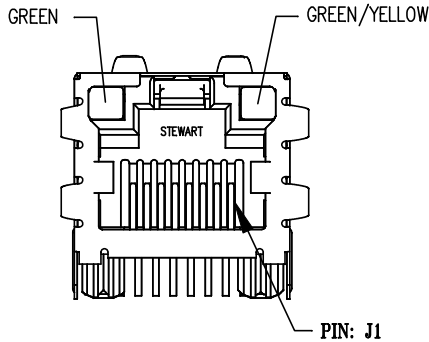
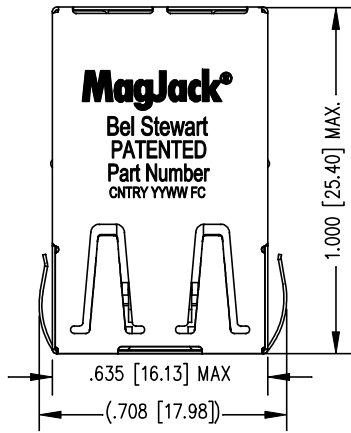
9.0 THIS COMPONENT IS A PATENT PRODUCT;US PATENT NUMBER 7,123,117.



ORIGINATED BY <b>RS Zhang</b>	DATE <b>04-22-10</b>	TITLE <b>MagJack® TAB UP SHIELDED 10/100/1000BT PATENTED</b>	PART NO. / DRAWING NO. <b>SI-51030-F</b>	STANDARD DIM. TOL. IN INCH	[ ] METRIC DIM. AS REFERENCE		
	DRAWN BY <b>RS Zhang</b>		DATE <b>04-22-10</b>	FILE NAME <b>SI-51030-F.DWG</b>	.X .XX .XXX	±0.005	

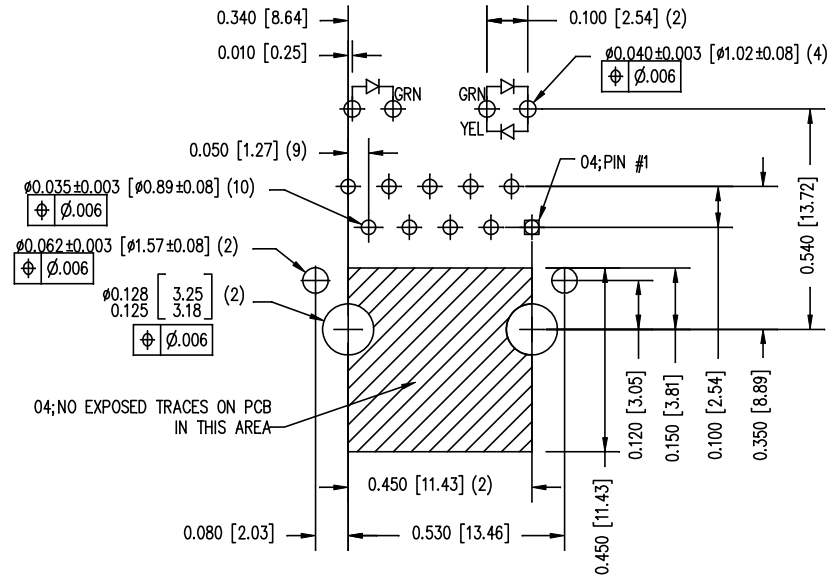
THE INFORMATION CONTAINED HEREIN IS CONSIDERED "PROPRIETARY" TO BEL FUSE INC. AND SHALL NOT BE COPIED, REPRODUCED OR DISCLOSED WITHOUT THE WRITTEN APPROVAL OF BEL FUSE INC.

RoHS  
2002/95/EC



LED SPECIFICATION			
LED COLOR	WAVELENGTH	FORWARD V (MAX)	* (TYP)
GREEN	565 nm	2.5 V	2.2 V
YELLOW	590 nm	2.5 V	2.1 V

\*WITH A FORWARD CURRENT OF 20 mA (TYP)



P.C.B. RECOMMENDED HOLE LAYOUT  
SEEN FROM COMPONENT SIDE  
ALL CENTERLINE DIMENSIONS ARE BASIC

NOTES:

- CONNECTOR MATERIALS:  
HOUSING: THERMOPLASTIC UL94 V-0  
CONTACT/SHIELD: COPPER ALLOY  
SHIELD PLATING: NICKEL OR TIN  
CONTACT PLATING: SELECTIVE GOLD,  
50 MICRO-INCHES MIN. IN CONTACT AREA.
- PIN NOT ELECTRICALLY CONNECTED MAYBE OMITTED.  
SEE ELECTRICAL DRAWING FOR OMITTED PINS.
- TOLERANCES COMPLY WITH F.C.C. DIMENSION REQUIREMENTS.
- ALL TOLERANCES NOT OTHERWISE SPECIFIED TO BE ±.005 [0.13]
- REFLOW AND WAVE SOLDER COMPATIBLE -260°C FOR 10 SECONDS MAX.

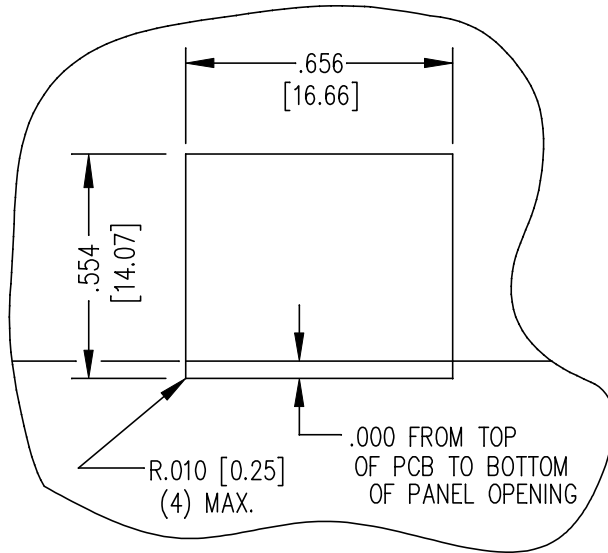
ORIGINATED BY	DATE	TITLE
RS Zhang	04-22-10	<b>MagJack®</b> <b>TAB UP SHIELDED</b> <b>10/100/1000BT</b> <b>PATENTED</b>
DRAWN BY	DATE	
RS Zhang	04-22-10	

PART NO. / DRAWING NO.	STANDARD DIM.	[ ] METRIC DIM. AS REFERENCE
SI-51030-F	TOL. IN INCH	UNIT : INCH [mm]
FILE NAME	.X	REV. : 02
SI-51030-F.DWG	.XX	SCALE : N/A
	.XXX	±0.005
		PAGE : 3

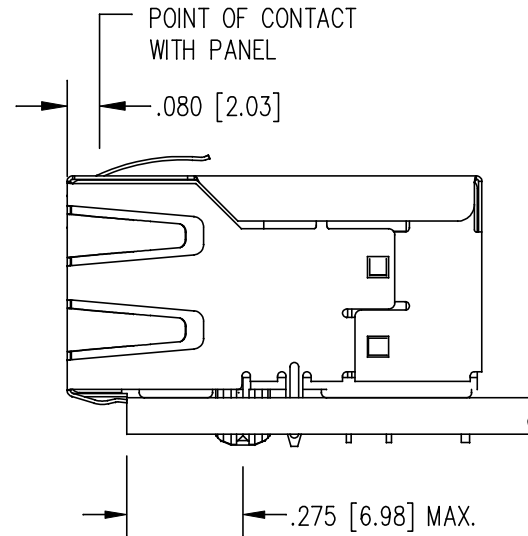
COMPONENTS FOR A CONNECTED PLANET	

THE INFORMATION CONTAINED HEREIN IS CONSIDERED "PROPRIETARY" TO BEL FUSE INC. AND SHALL NOT BE COPIED, REPRODUCED OR DISCLOSED WITHOUT THE WRITTEN APPROVAL OF BEL FUSE INC.

RoHS  
2002/95/EC



SUGGESTED PANEL OPENING



1. THE SUGGESTED PANEL OPENING IS INTENDED TO GIVE THE USER THE ABILITY TO HAVE REASONABLE JACK / PANEL CLEARANCES YET MAINTAIN RELIABLE GROUNDING CAPABILITY.
2. ALL TOLERANCES NOT OTHERWISE SPECIFIED TO BE  $\pm 0.005$  [0.13]

ORIGINATED BY	DATE	TITLE	PART NO. / DRAWING NO.	STANDARD DIM.	[ ] METRIC DIM. AS REFERENCE	
RS Zhang	04-22-10	<b>MagJack®</b> TAB UP SHIELDED 10/100/1000BT PATENTED	SI-51030-F	TOL. IN INCH	UNIT : INCH [mm]	REV. : 02
DRAWN BY	DATE		FILE NAME	.X	SCALE : N/A	SIZE : A4
RS Zhang	04-22-10		SI-51030-F.DWG	.XX		PAGE : 4
				.XXX	$\pm 0.005$	

