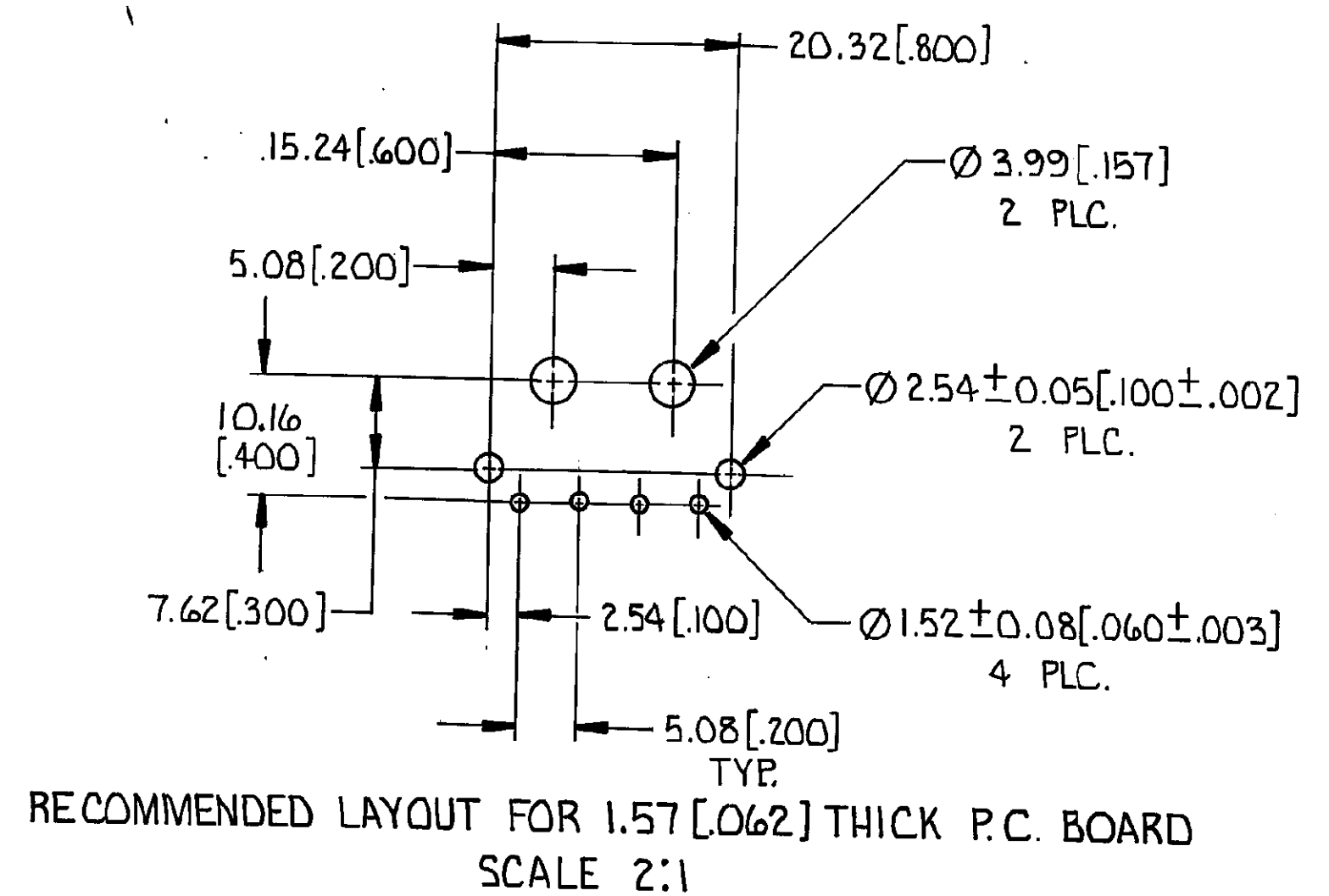
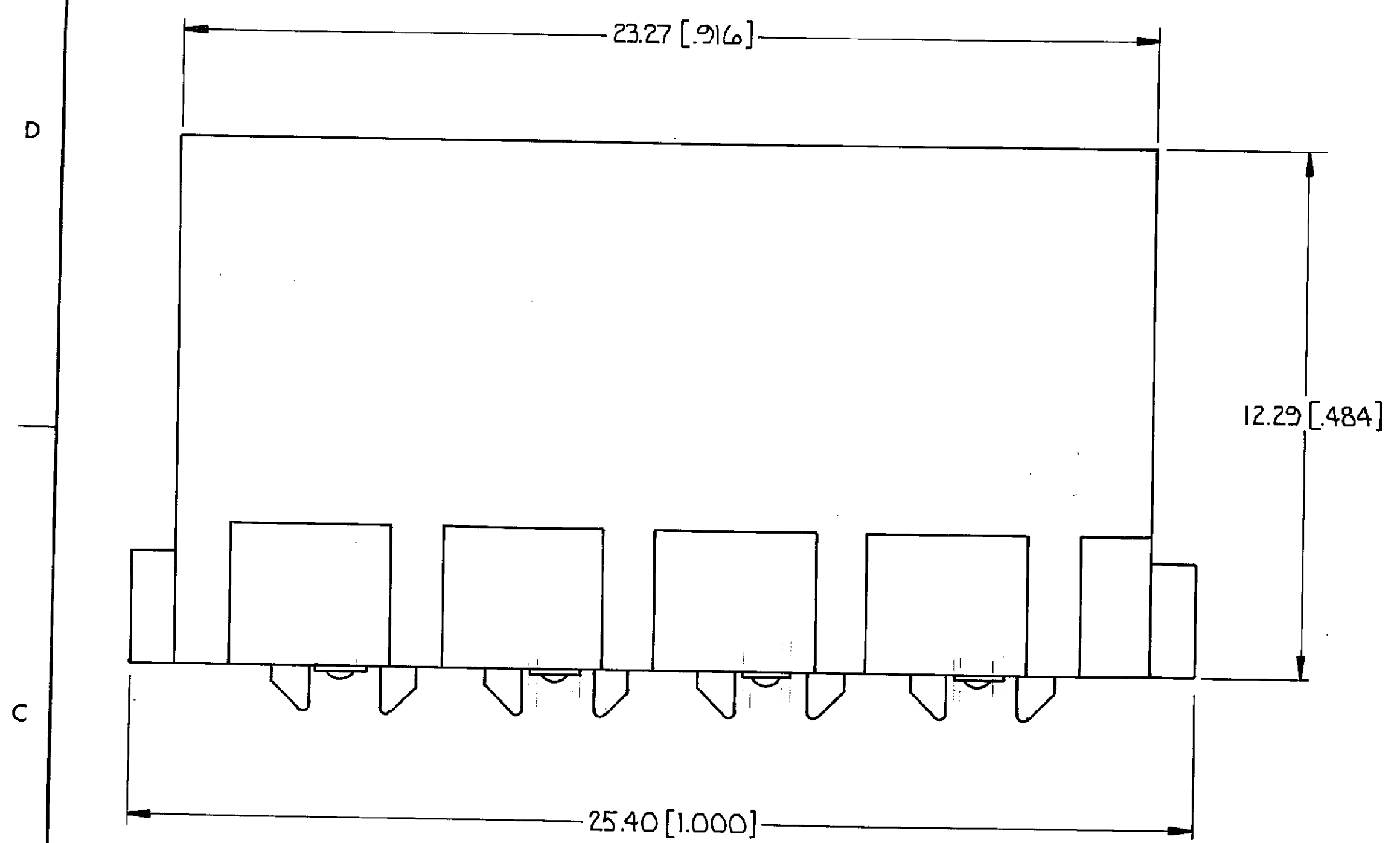
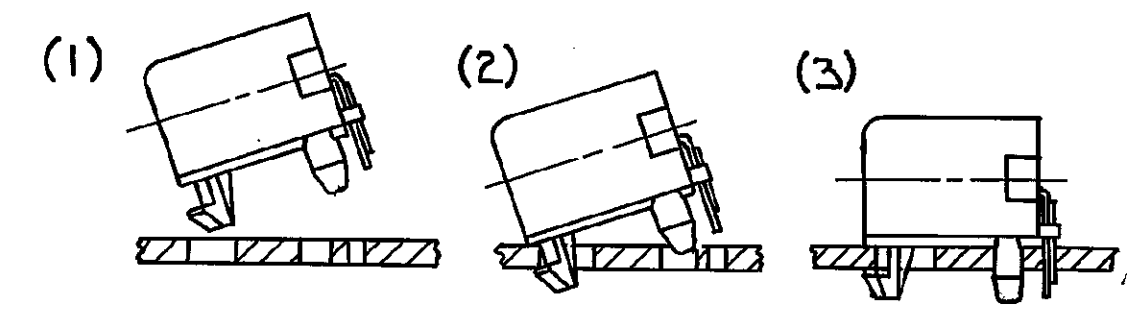
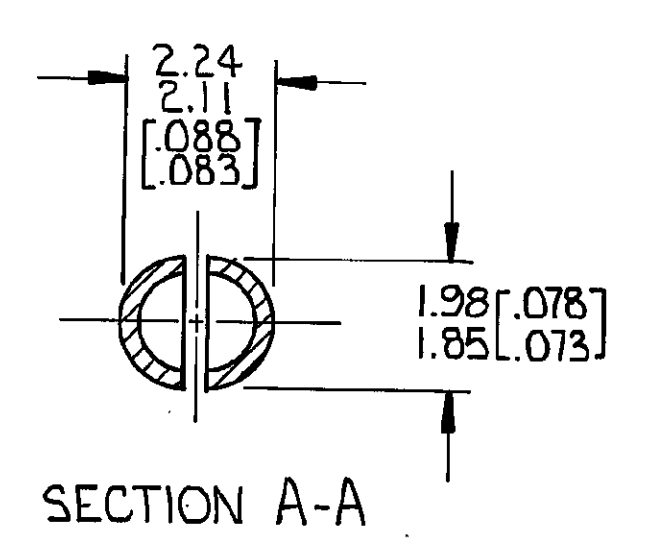
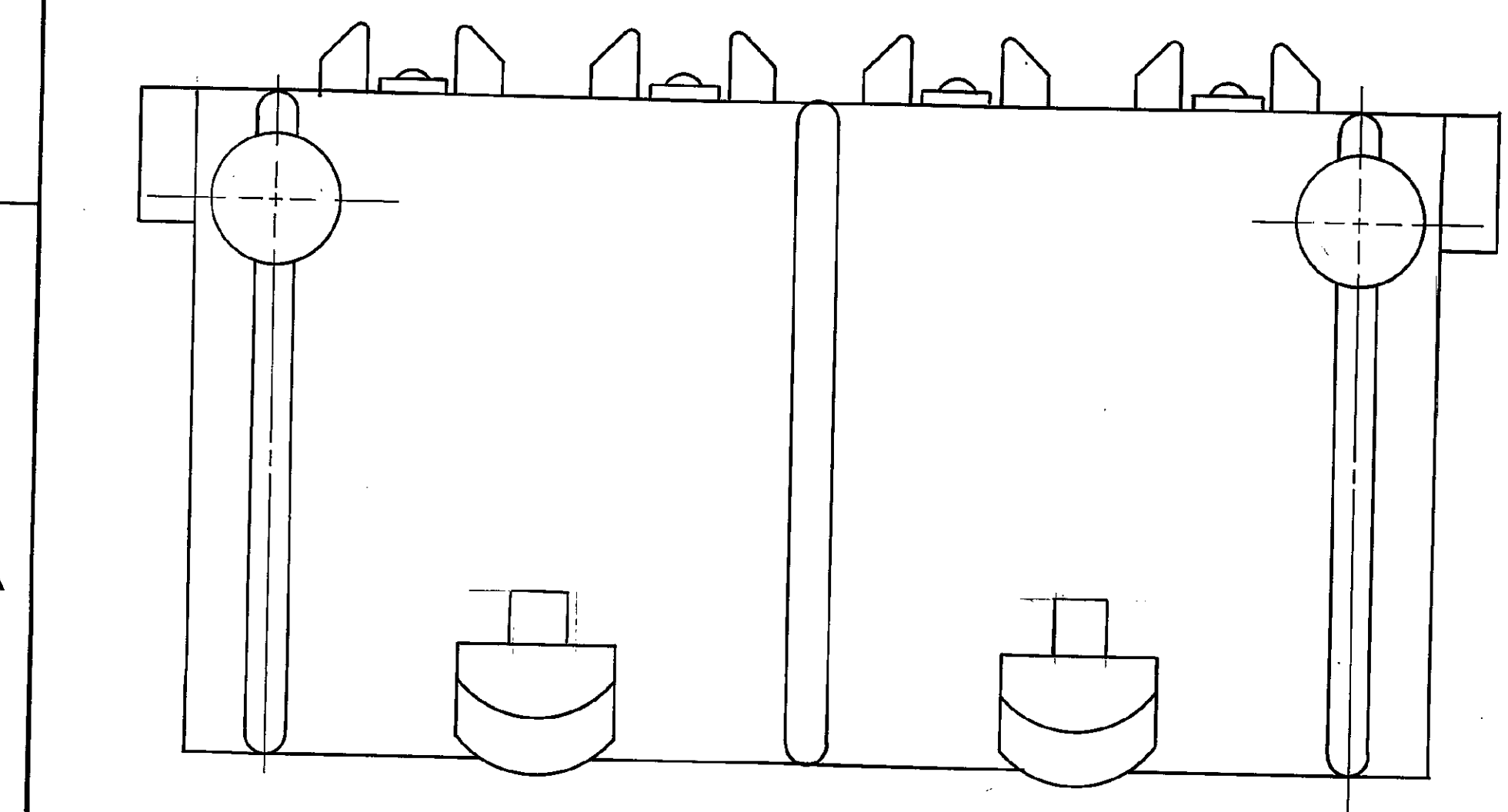
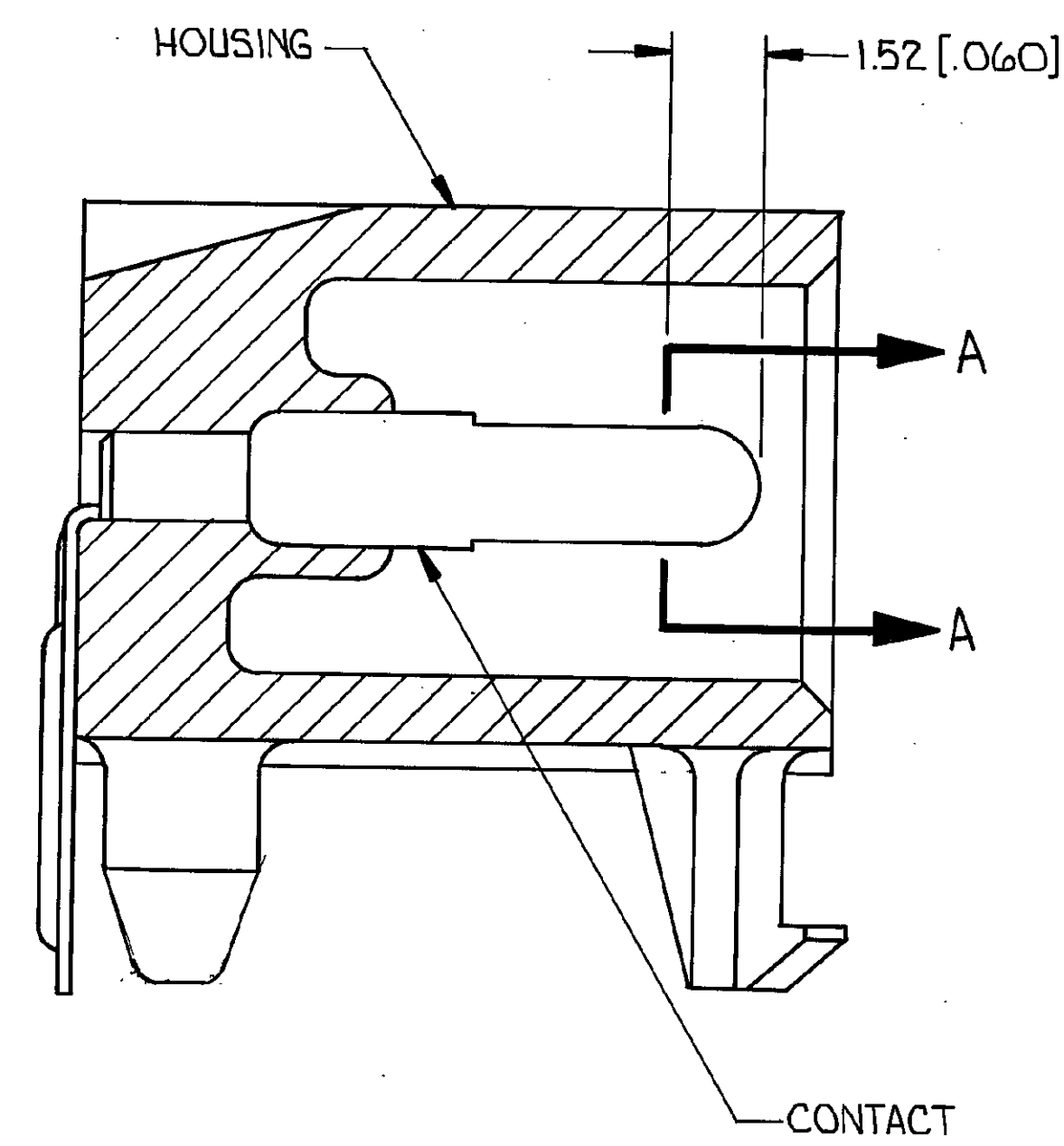
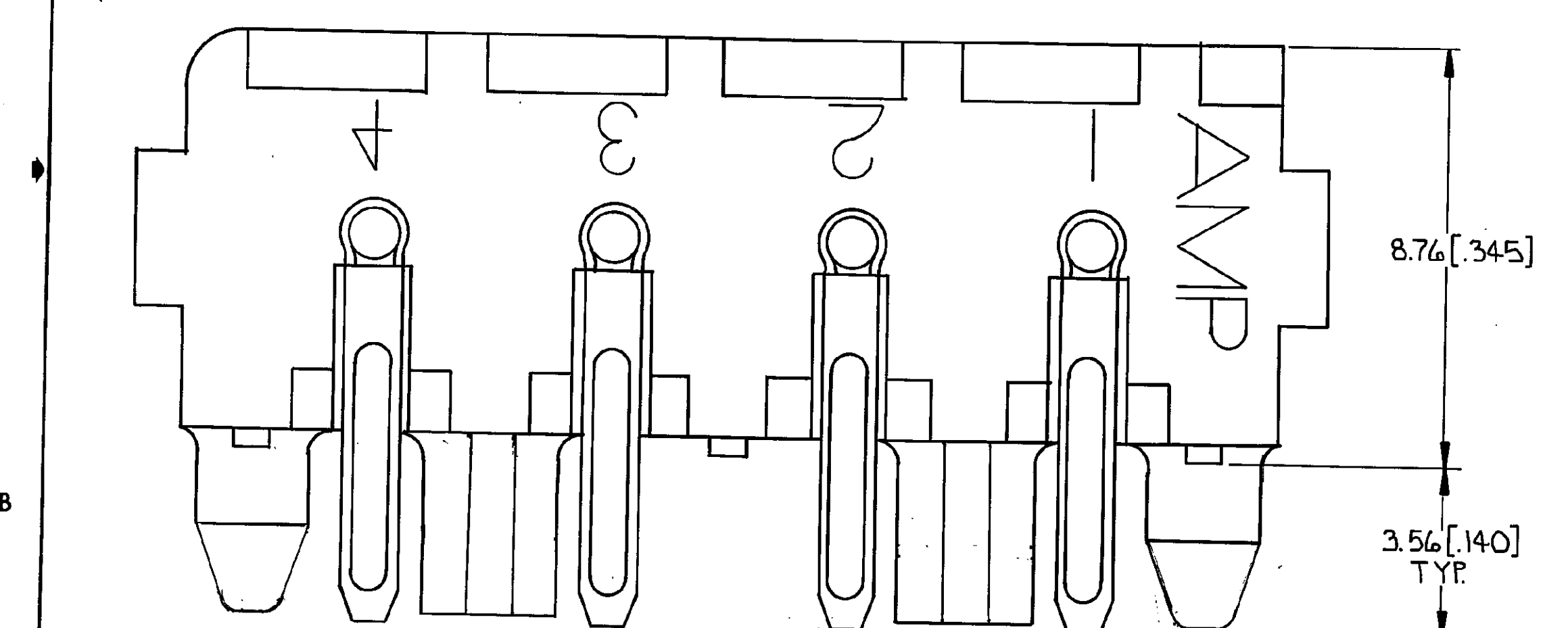


REVISIONS					
REV	ZONE	LTR	DESCRIPTION	DATE	APPROVED
B			REV PER ECOGIB-0220-90	3-4-99	JY R5



- PARTS COMPLY WITH AMP SOLDERABILITY SPEC. 109-11-3.
- RECOMMENDED EXPOSURE TO SOLDER WAVE (430°F) NOT TO EXCEED 5 SECONDS.
- MATERIAL: HOUSING-NYLON, UL94V-2 BLACK  
 CONTACT-PH BRZ (PRE-TIN)
- DIMENSIONS IN BRACKETS ARE IN INCHES.
- PART IS SURFACE MOUNT COMPATIBLE.



**METRIC**

UNLESS OTHERWISE SPECIFIED DIMENSIONS ARE IN INCHES. TOLERANCES ON: DECIMALS ± 0.13 [0.05] ANGLES ±		CONTRACT NO DR P. Collins 4-11-91	AMP   AMP INCORPORATED Harrisburg, Pa. 17105	
MATERIAL ③	CHK R. Dwyer 4-19-91 APPD R. Dwyer 4-19-91	NAME P.C. HEADER, RIGHT ANGLE MOUNT, COMMERCIAL MATE-N-LOK™, 4 CIRCUIT		
FINISH ③	DSGN APPD OTHER APPD	SIZE D	FSCM NO 00779	DRAWING NO 770846
SCALE 10:1		SHEET 1 OF 1		

CUSTOMER DRAWING