



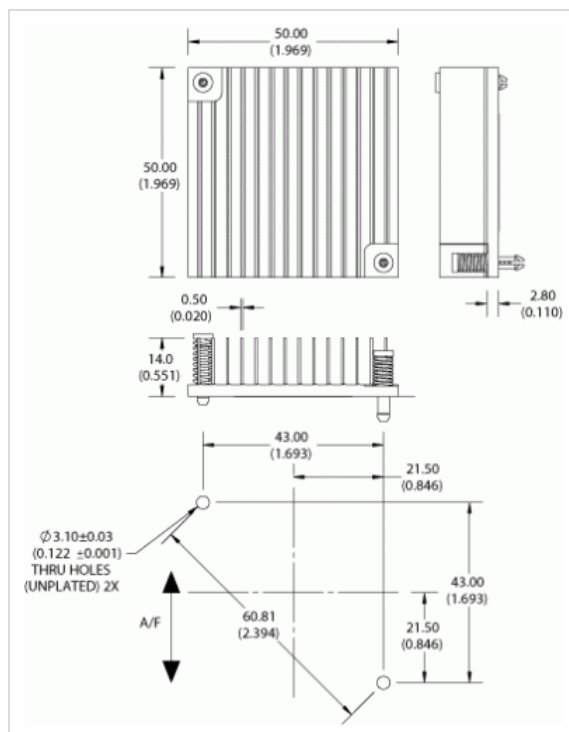
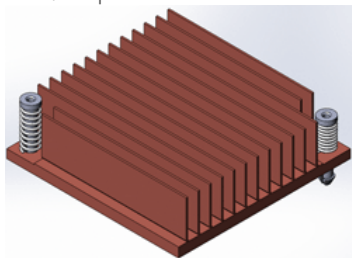
Aavid - The worldwide leader in thermal management solutions

» FPGA / BGA Heat Sinks

342943

SQUARE HEATSINK WITH PUSH PIN ATTACHMENT

RoHS: compliant



Width: 50.00

Length: 50.00

Height: 14.00

Base Thickness: 2.80

Fin Thickness: Length, Width 0.50

of Fins: Length, Width 14

Fin Tip to Tip:

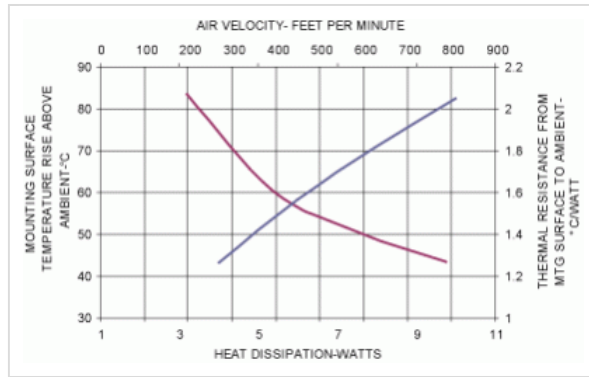
Finish: AavSHIELD 3C

Thermal Performance

Natural Convection: 8.89

Forced convection: 2.07

Thermal Curve:



Customer Assistance

- Contact Us
- Get Design Assistance
- Find a Distributor
- Find a Sales Rep
- Request a Quote
- Placing an Order
- Terms and Conditions
- Returns

Popular Products

- Fans
- Extrusions
- Board Level
- Liquid Cooling
- Heat Pipe Technology
- Heat Sink Accessories
- Interface Materials

Our Company

- News and Events
- Management Team
- Worldwide Locations
- Disclaimer
- Customer Survey
- Privacy Policy
- Careers

Connect with Aavid

Like / Follow / Connect



© Copyright 2016 Aavid Thermalloy, LLC.