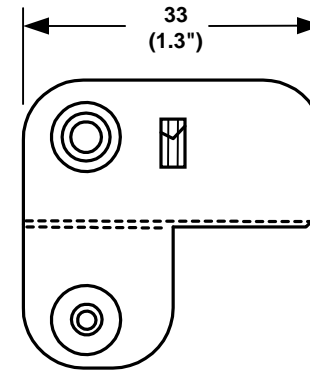
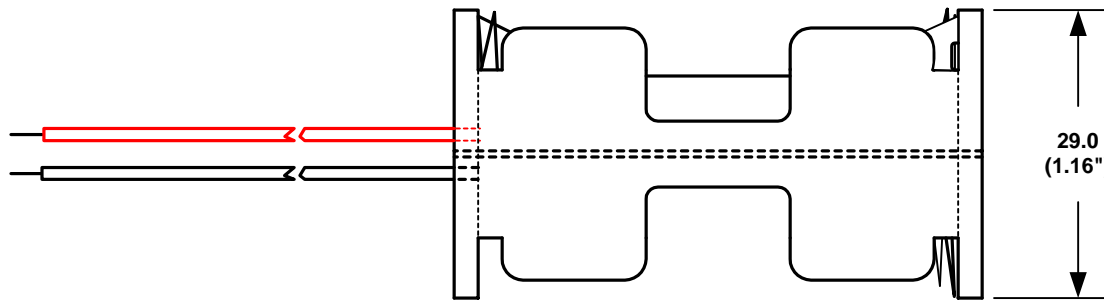
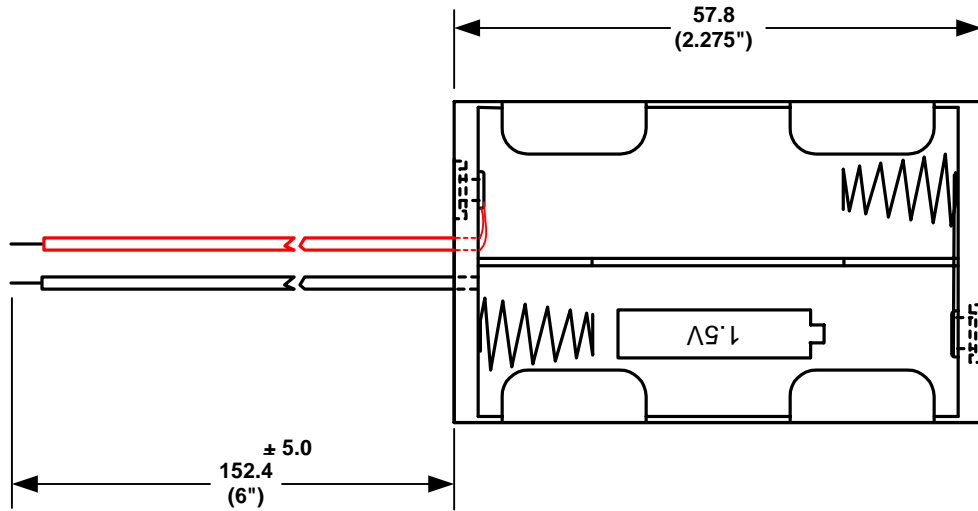


DATE	SYM	REVISION RECORD	AUTH	DR.	CK.



WIRE LEADS SHOWN ABOVE


ORDERING CODE **BC3AAG**

**SPECIFICATIONS :**

- Plastic material - polypropylene
- Springs - nickel plated spring steel
- Wire - 152.4 mm Ref.Long 26 AWG, UL1007, CSA - TR-64, 300V, 80°C.
- Rivets - Brass, nickel plated
- 9 Volts Snaps - Brass, nickel plated

<b>SOLDER LUGS</b>	<b>= L</b>
<b>( 6" ) WIRE LEADS</b>	<b>= W</b>
<b>9 VOLT TYPE SNAPS</b>	<b>=SF</b>

Note: Dimensions in mm. ( inches )

TOLERANCES (EXCEPT AS NOTED)		 <b>Memory Protection Devices, Inc.</b> 200 Broad Hollow Road, Farmingdale, New York 11735	
DECIMAL			
+ .5 (.020")		NONE	S.C.
- .5 (.020")			APPROVED BY
FRACTIONAL	TITLE	<b>THREE "AA" CELL HOLDER</b>	
+ .8 (.030")			
ANGULAR	DATE	DRAWING NUMBER	
+ 3°	05/10/2001	<b>BC3AAGW</b>	
- 3°			