

THIS DRAWING IS UNPUBLISHED.

RELEASED FOR PUBLICATION

20

LOC

DIST

REVISIONS

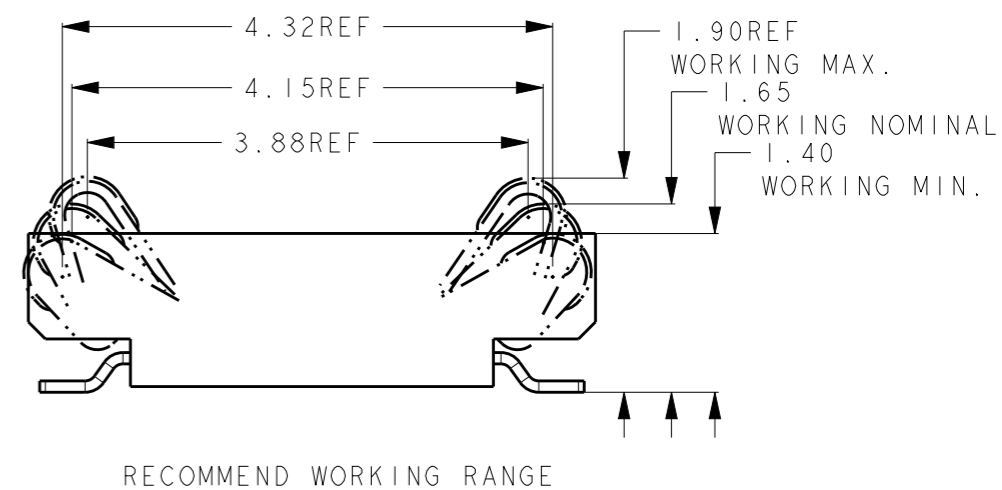
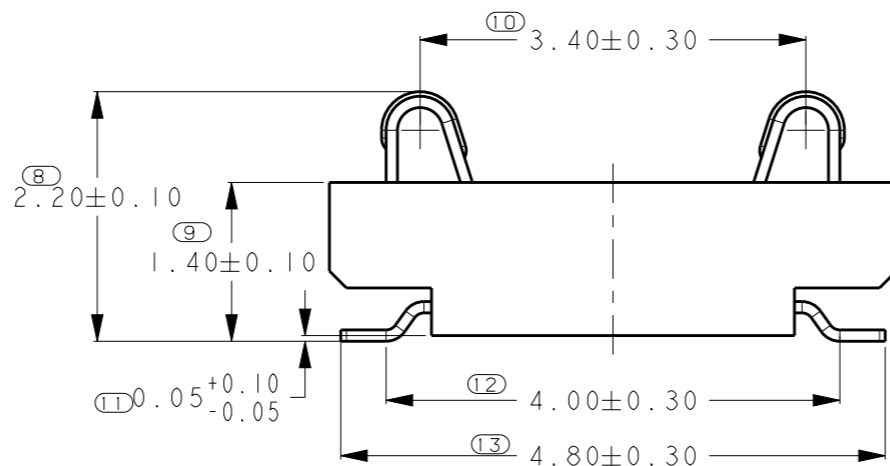
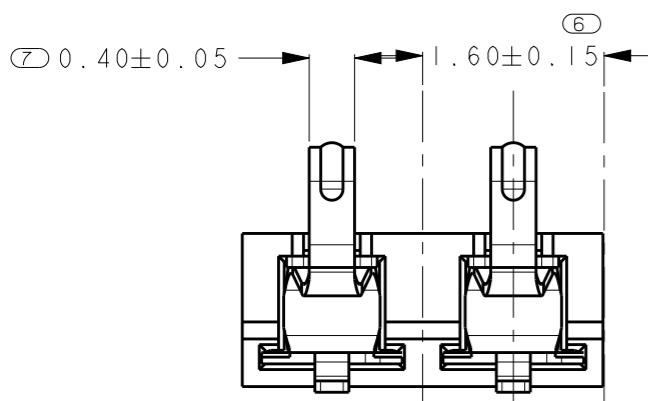
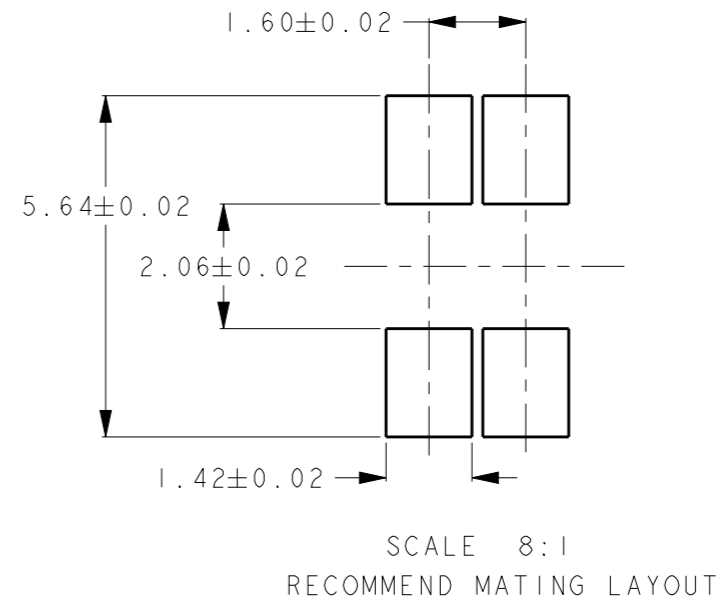
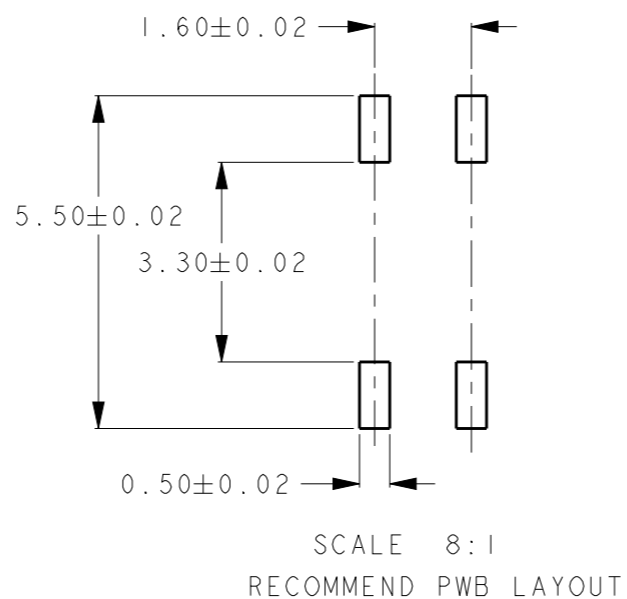
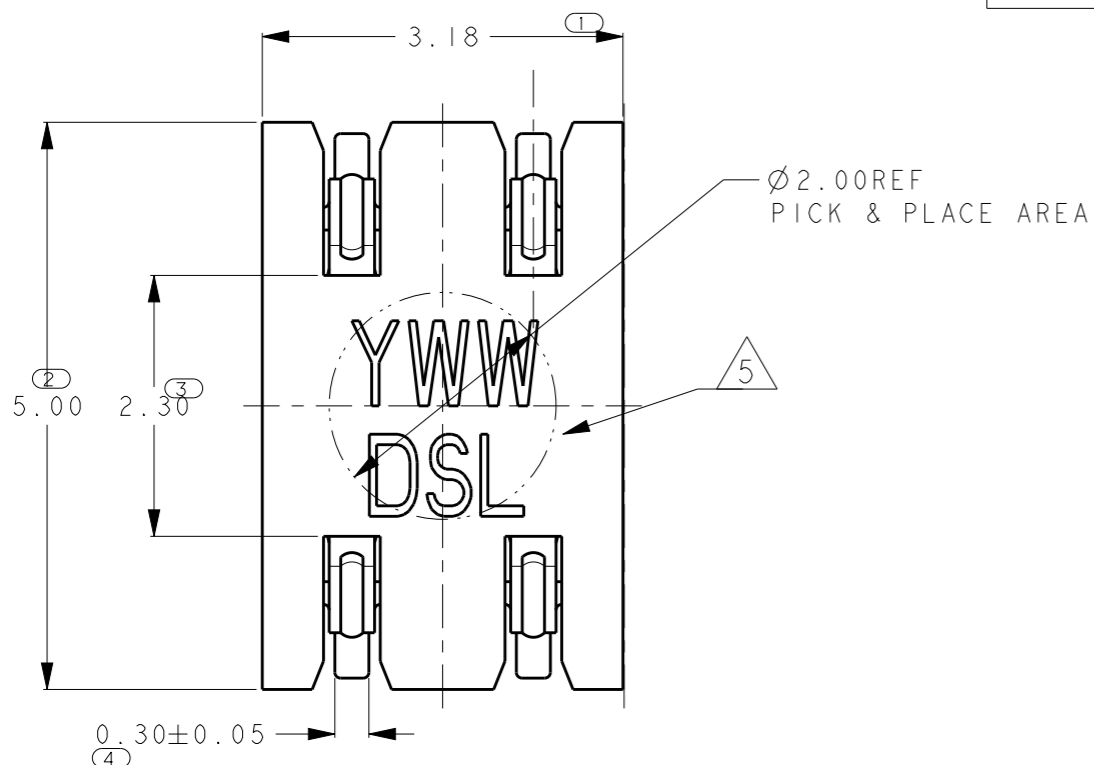
© COPYRIGHT 20

ALL RIGHTS RESERVED.

ES

P	LTR	DESCRIPTION	DATE	DWN	APVD
	4	REVISED	15OCT2013	R.W	W.H

AS SHOWN: 2199075-2



- NOTES:
- 1 MATERIAL
TERMINAL : COPPER ALLOY, THICKNESS 0.10mm.
HOUSING : HIGH TEMPERATURE THERMO PLASTIC
UL94V-0 BLACK
 - 2 FINISH
TERMINAL : 0.10-0.2 um GOLD PLATING ON CONTACT AREA,
1.25 um MIN. NICKLE UNDER PLATING,
GOLD FLASH PLATING ON SOLDERING AREA.
 - 3 COPLANARITY : 0.08 MAX. AMANG ALL SOLDER TAILS.
 - 4 PACKAGING : TAPE & REEL.
 - 5 DATE CODE : "YWWDSL"
YWW = PRODUCTION DATE (YEAR, WEEK, DAY).
S = SHIFT (D=DYA, N=NIGHT); L = LINE NUMBER.

THIS DRAWING IS A CONTROLLED DOCUMENT.

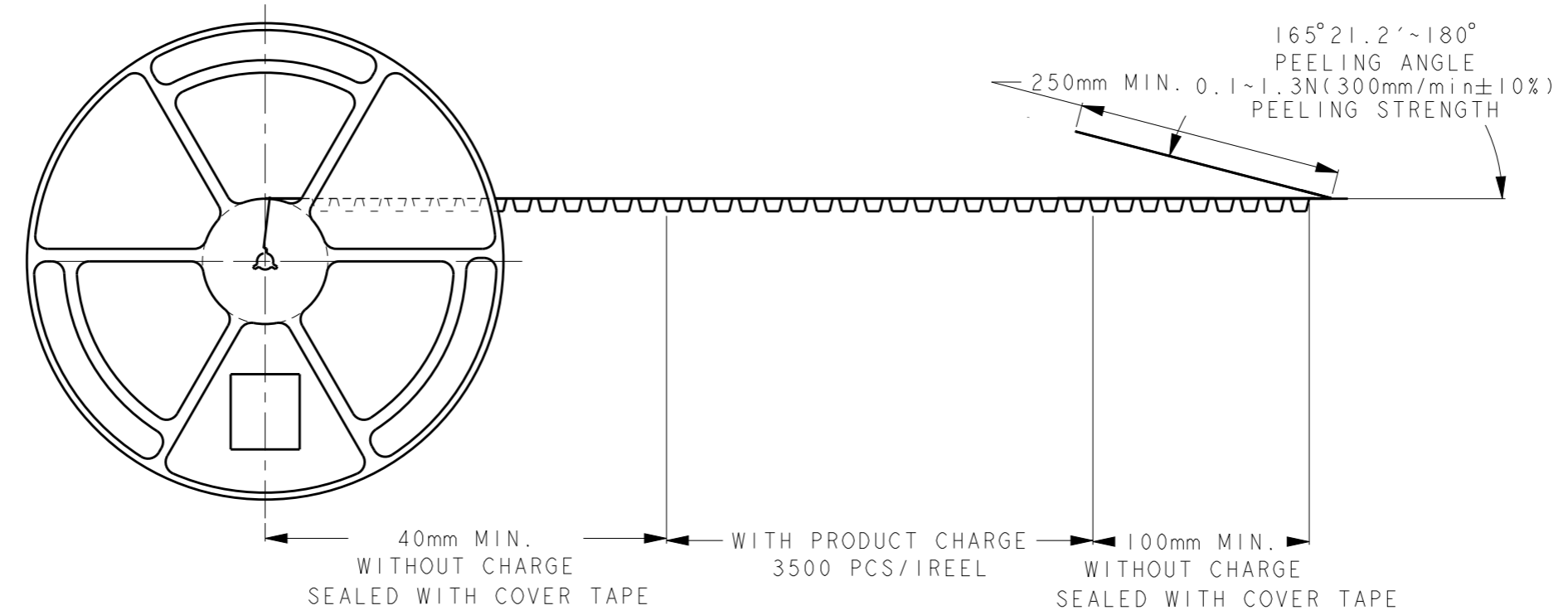
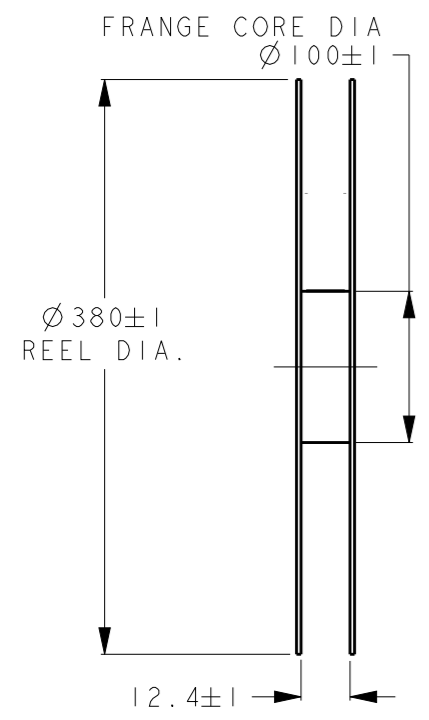
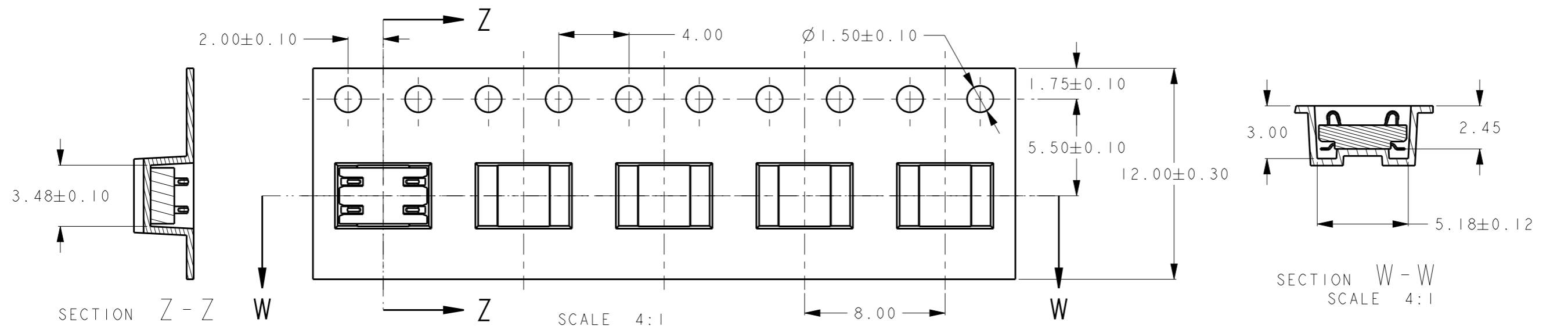
DIMENSIONS:		TOLERANCES UNLESS OTHERWISE SPECIFIED:	
mm		± 0.20	
		0 PLC	±
		1 PLC	±
		2 PLC	±
		3 PLC	±
MATERIAL		FINISH	

DWN	02APR2013
RAY WANG	
CHK	02APR2013
WENKE HE	
APVD	STEVEN YAO
PRODUCT SPEC	108-115039
APPLICATION SPEC	-
WEIGHT	-g
CUSTOMER DRAWING	

STE TE Connectivity			
NAME ONE PIECE BtoB CONNECTOR 4 PINS, 1.6MM PITCH, H1.65, TWO ROWS			
SIZE	CAGE CODE	DRAWING NO	RESTRICTED TO
A300779	C=2199075		-
SCALE 20:1		SHEET 1 OF 2	REV 4

THIS DRAWING IS UNPUBLISHED. RELEASED FOR PUBLICATION 20
 © COPYRIGHT 20 ALL RIGHTS RESERVED.

LOC	DIST	REVISIONS			
P	LTR	DESCRIPTION	DATE	DWN	APVD
ES		SEE SHEET 1	-	-	-



NOTES:
 1. MATERIAL: P.S CLEAR, 0.4MM THICKNESS.
 2. QUANTITY PER REEL: 3500 PIECES.

THIS DRAWING IS A CONTROLLED DOCUMENT.		DWN	02APR2013	STE TE Connectivity
		CHK	02APR2013	
		APVD	02APR2013	
DIMENSIONS: mm		TOLERANCES UNLESS OTHERWISE SPECIFIED: ±0.20		NAME
		0-PLC ±		ONE PIECE BtoB CONNECTOR
		1-PLC ±		4 PINS, 1.6MM PITCH, HI.65 TWO ROWS
		2-PLC ±		SIZE
		3-PLC ±		CAGE CODE
		4-PLC ±		DRAWING NO
		ANGLES ±5°		RESTRICTED TO
MATERIAL		FINISH		A300779C-2199075
		WEIGHT		SCALE 20:1
		CUSTOMER DRAWING		SHEET 2 OF 2
				REV 4