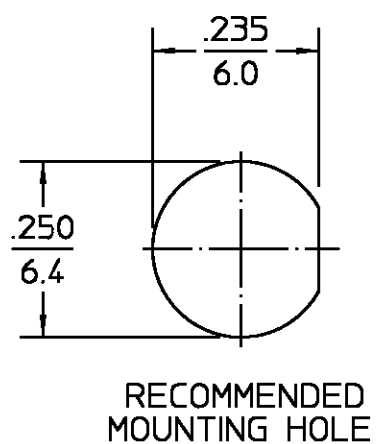


DESIGNED FOR USE WITH .141 DIA S/R CABLE	
CABLE ENTRY DIAMETER MINIMUM	
HOUSING	.143
CONTACT	.036

REVISIONS			
REV	DESCRIPTION	DATE	APPROVED
012	REDRAWN IN CAD PER ECN 98-0001	PATLAN 2/17/98	<i>[Signature]</i>



ELECTRICAL
Nominal Impedance (Ohms) <u>50</u>
Frequency Range (GHz) DC to <u>18</u>
Volt Rating (VRMS MAX) @ Sea Level <u>500</u>
VSWR <u>1.05+0.01f(GHz)</u>
Insertion Loss (dB MAX) <u>.03</u> √f(GHz)
RF Leakage (dB MIN) <u>[-90-f(GHz)]</u>
Corona, 70,000 Ft (VRMS MIN) <u>375</u>
Dielectric Withstanding Voltage (VRMS MIN) @ Sea Level <u>1500</u>
Contact Resistance (Milliohms MAX)
Center Contact <u>3.0</u>
Outer Contact <u>2.0</u>
Cable to Housing <u>0.5</u>
RF High Potential @ Sea Level (VRMS MIN @ 5 MHz) <u>1000</u>
I.R.(Megohms MIN) <u>5,000</u>

MECHANICAL
Interface Dimensions MIL-STD-348A, Fig. 310.2
Recommended Mating Torque <u>N/A</u>
Mating Characteristics:
Insertion (MAX Lbs) <u>2.0</u>
Withdrawal (MIN Oz) <u>1.0</u>
Force to Engage and Disengage (In-Lbs MAX) <u>2.0</u>
Center Contact Captivation
Axial (Lbs) <u>60</u>
Radial (In-Oz) <u>N/A</u>
Cable Retention
Axial Force (Lbs) <u>60 MIN</u>
Torque (In-Oz) <u>55 MIN</u>
Weight (Oz) <u>.12</u>

ENVIRONMENTAL
Temperature Rating <u>-65°C to +165°C</u>
Vibration MIL-STD-202, Method 204, Condition G
Shock MIL-STD-202, Method 213, Condition I
Thermal Shock MIL-STD-202, Method 107, Condition B, Except High Temp shall be +115°C
Moisture Resistance MIL-STD-202, Method 106
Corrosion - MIL-STD-202, Method 101, Condition B, 5% salt spray

.XXX = in
XX.X = mm (REF)

COMPONENT	MATERIAL	FINISH
HOUSING MOUNTING NUT LOCKWASHER	STAINLESS STEEL PER ASTM-A484 AND ASTM- A582, TYPE 303	GOLD PLATE PER MIL-G-45204
DIELECTRIC	PTFE FLUOROCARBON PER ASTM-D-1457	N/A
CENTER CONTACT	BERYLLIUM COPPER PER ASTM-B-196 OR ASTM-B-197, ALLOY C17300, CONDITION H	GOLD PLATE PER MIL-G-45204
O-RING	SILICONE RUBBER PER ZZ-R-765	N/A

UNLESS OTHERWISE SPECIFIED
DIMENSIONS ARE IN INCHES
TOLERANCE ON
FRAC. DEC. ANGLES
± 1/64 ±.005 ± °

These drawings and specifications are the property of M/A COM Interconnect Division and shall not be reproduced or copied or used in whole or in part as the basis for the manufacture or sale of item(s) without written permission.

DRAWN BY: GB DATE: 1/3/82
CHECKED BY: RNF DATE: 1/20/83
APPROVED BY: RNF DATE: 1/20/83

USE ASS'Y PROCEDURE

408-04947
NO. AP. (20-267)

M/A-COM
a Division of AMP Incorporated
140 Fourth Avenue
Waltham, MA 02154-7577

AMP M/A-COM

TITLE: OSM BULKHEAD FEEDTHRU
CABLE JACK-DIRECT
SOLDER ATTACHMENT

SIZE B	CODE IDENT NO. 26805	2004-7541-00	REV 012
-----------	-------------------------	--------------	------------

SCALE: 4:1 SHEET 1 OF 1