

## DETAILS

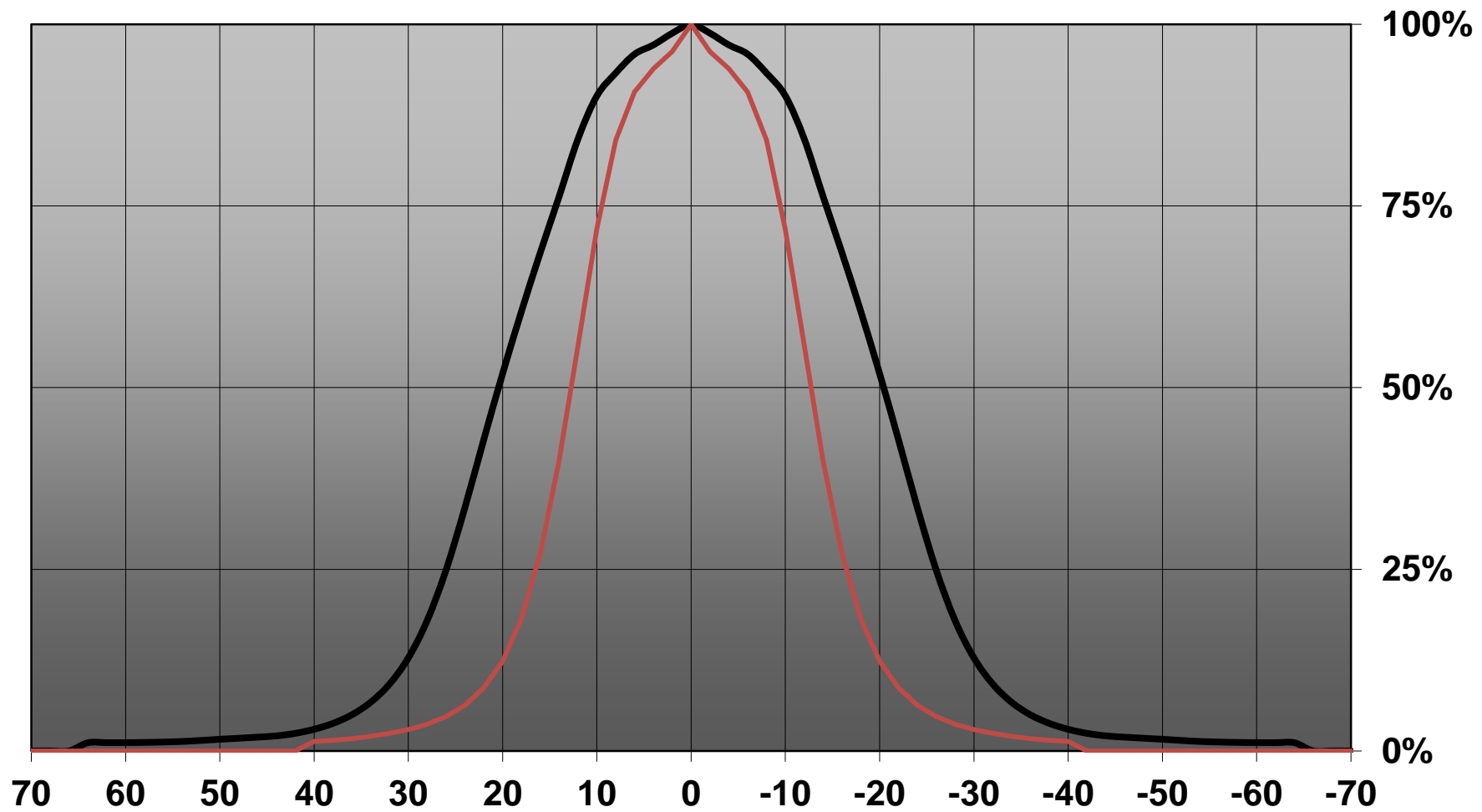
<b>Product Number</b>	FCA12795_IRIS-O
<b>Family</b>	Iris
<b>Type</b>	Assembly
<b>Color</b>	black
<b>Diameter</b>	38 mm
<b>Height</b>	28,6 mm
<b>Style</b>	round
<b>Optic Material</b>	PMMA,PC
<b>Holder Material</b>	
<b>Fastening</b>	tape, pin
<b>Status</b>	production ready
<b>ROHS Comliant</b>	Yes
<b>Date Updated</b>	3/03/2017

## OPTICAL PROPERTIES

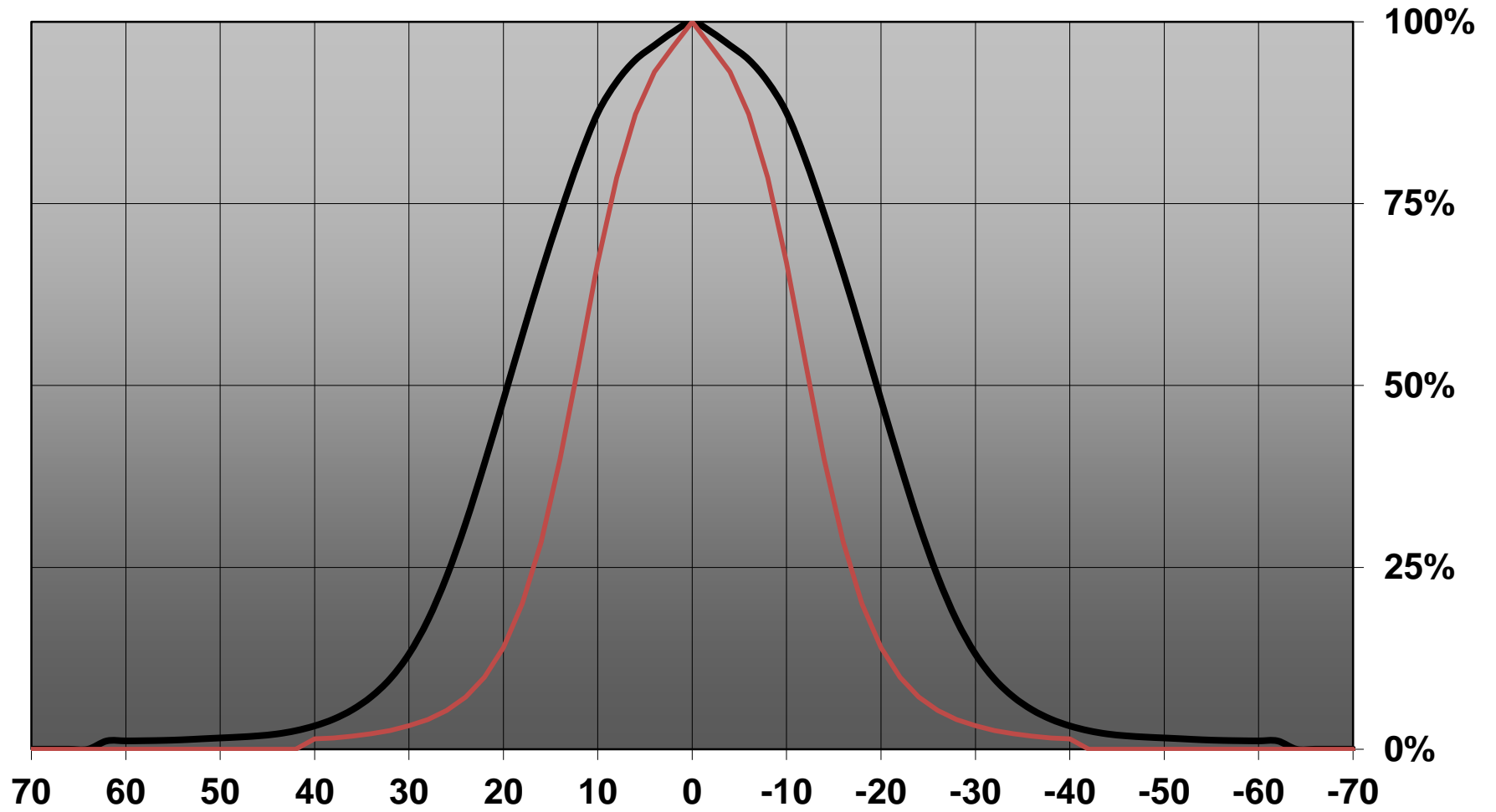
LED	Viewing Angle	Light Beam	Efficiency	cd/lm	Connector
XP-E	41+25 deg	Oval	86 %	1.700	-
XP-G	37+25 deg	Oval	84 %	1.400	-



Relative intensity of FCA12795\_IRIS-O & FCN12791\_IRIS-O-XPE

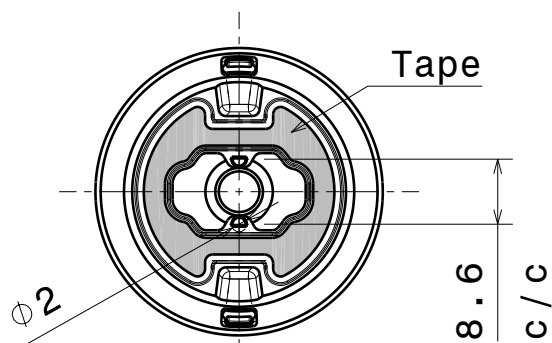


Relative intensity of FCA12795\_IRIS-O & FCN12791\_IRIS-O-XPG

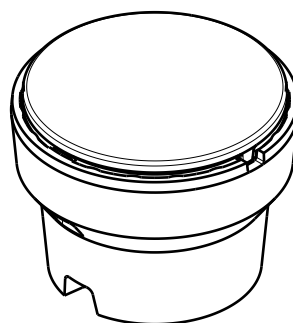


D C B A

4



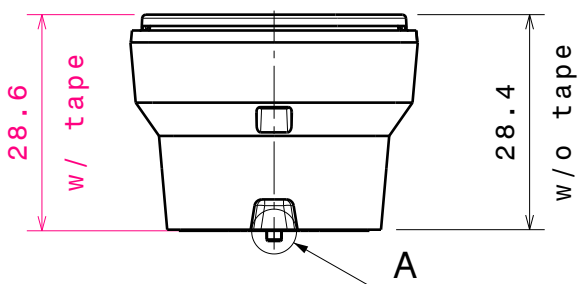
Bottom view



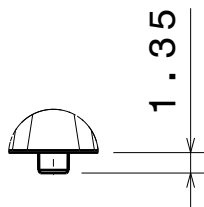
Isometric view

4

3



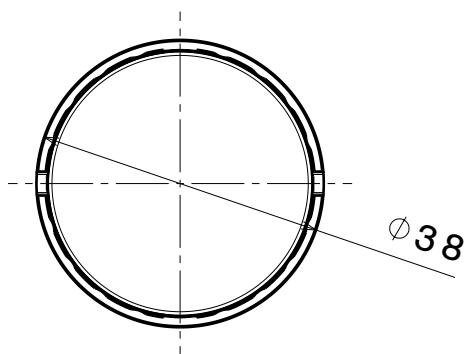
Front view



Detail A

3

2



Top view

2

Materials:

Lens: PMMA  
 Sublens: PMMA  
 Holder: PC  
 Tape: PU Foam

This drawing is our property.  
 It can't be reproduced  
 or communicated without  
 our written agreement.

**LEDiL** Ledil Oy  
 Salorankatu 10  
 FIN 24240 SALO  
 Finland

DRAWING TITLE Mechanical drawing  
**IRIS-XP**

DRAWN BY <b>as</b>	DATE 17.8.2012
CHECKED BY <b>sn</b>	DATE -
DESIGNED BY -	DATE -

SIZE <b>A4</b>	PART NUMBER	REV <b>001</b>
SCALE <b>1:1</b>	WEIGHT -	SHEET <b>1/1</b>

1

1

D

A

**NOTE: The typical divergence will be changed by different color, chip size and chip position tolerance. The typical total divergence is the full angle measured where the luminous intensity is half of the peak value.**