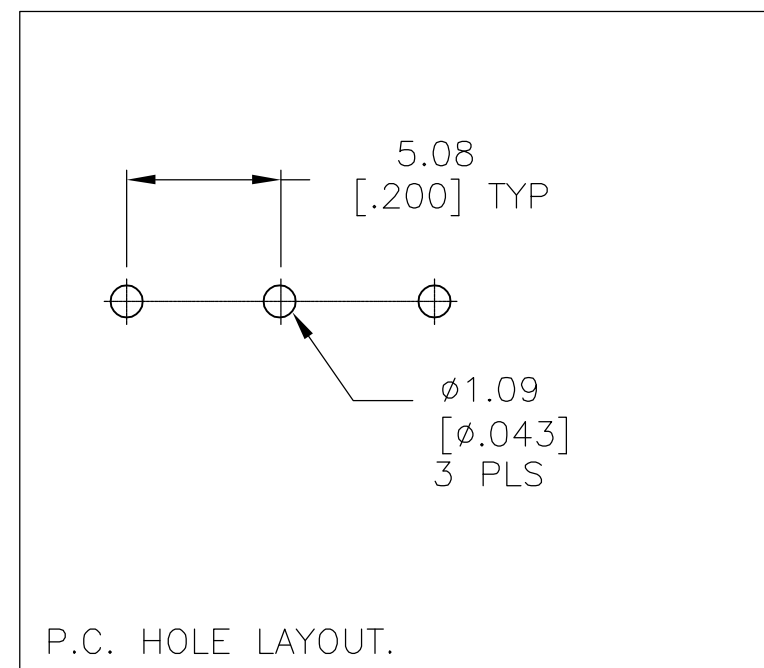
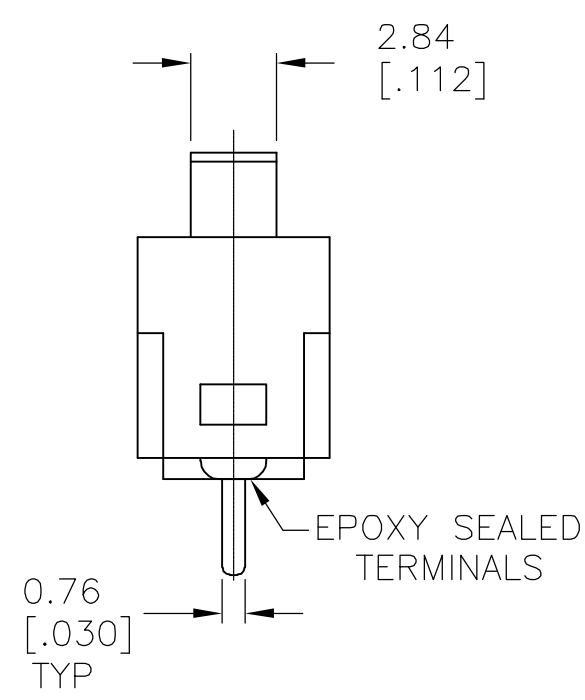
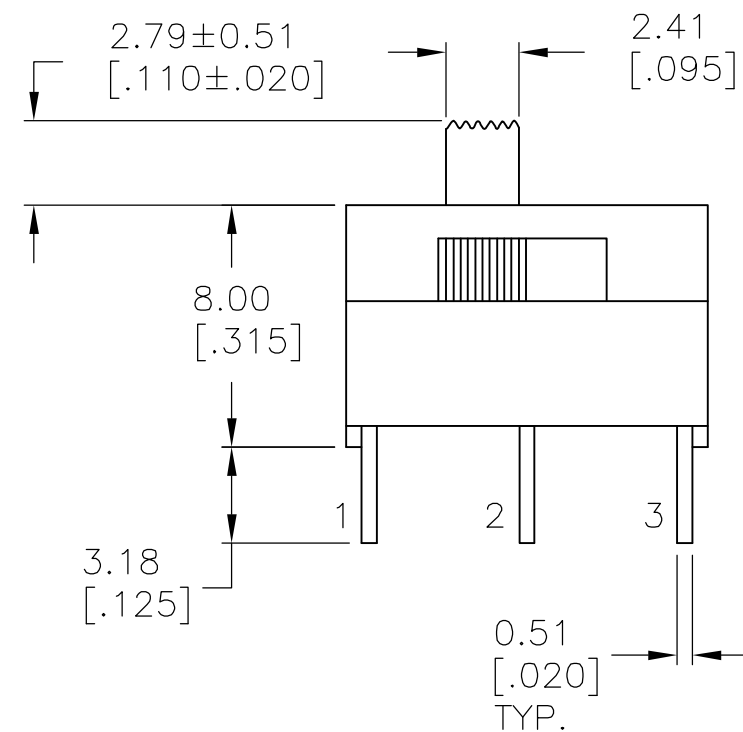
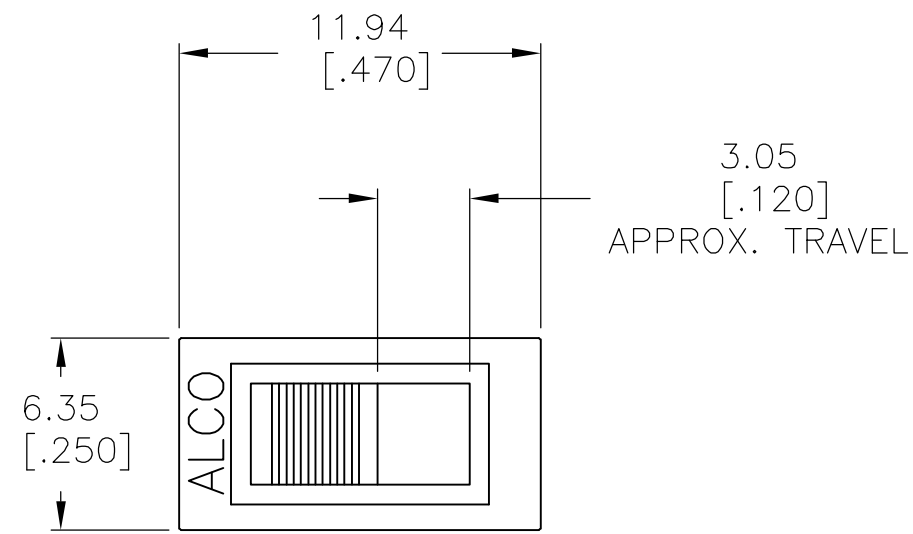


THIS DRAWING IS UNPUBLISHED. RELEASED FOR PUBLICATION
 © COPYRIGHT BY TYCO ELECTRONICS CORPORATION. ALL RIGHTS RESERVED.

Loc		DIST		REVISIONS			
P	LTR	DESCRIPTION		DATE	DWN	APVD	
AD	00	D1		REVISED PER ECO-05-009527	17MAY06	GS MS	



SPECIFICATIONS:
 BREAK-BEFORE-MAKE

MATERIAL:
 SLIDER, GLASS FILLED NYLON, UL94-HB, BLACK.
 BASE, GLASS FILLED PBT, BLUE.
 COVER, GLASS FILLED PBT, BLUE.
 SLIDE PLATE, STAINLESS STEEL.
 ACTUATOR, PPS, BLACK.
 ROCKER CONTACT(GOLD), COPPER ALLOY, GOLD OVER NICKEL PLATING.
 ROCKER CONTACT(SILVER), COPPER ALLOY PLUS COINED SILVER.
 FIXED CONTACT/TERMINAL (GOLD), COPPER ALLOY, GOLD OVER NICKEL PLATE.
 FIXED CONTACT/TERMINAL(SILVER), COPPER ALLOY PLUS COINED SILVER, GOLD OVER NICKEL PLATE.

ELECTRICAL:
 CONTACT RATING(SILVER)-3A@115V AC OR 1.5A@230V AC
 CONTACT RATING(GOLD)-.4VA MAX@20V DC OR PEAK AC
 INITIAL CONTACT RESISTANCE-20 MILLIOHMS MAX.
 INSULATION RESISTANCE-1000 MEGOHMS MIN @ 500V DC
 DIELECTRIC STRENGTH- 500 V RMS @ SEA LEVEL.
 LIFE EXPECTANCY- 30000 OPERATIONS.

MECHANICAL:
 OPERATING FORCE- 600+/-300 GRAMS.
 TRAVEL-.120

ENVIRONMENTAL:
 OPERATING TEMPERATURE- -20°C TO +65°C
 STORAGE TEMPERATURE- -40°C TO +100°C
 SOLDER HEAT RESISTANCE- PER 109-202 CONDITION B.
 SOLDERABILITY PER EIA 364-52, CLASS 2, CATAGORY 1.

2,1	OFF	2,3	SPDT	SILVER	MSSA114E04	3-1437580-2
2,1	NONE	2,3	SPDT	SILVER	MSSA114D04	3-1437580-1
2,1	OFF	2,3	SPDT	GOLD	MSSA111EG04	3-1437580-0
2,1	NONE	2,3	SPDT	GOLD	MSSA111DG04	2-1437580-9
			TYPE	PLATING	ALCO PART NO.	TYCO PART NO.

THIS DRAWING IS A CONTROLLED DOCUMENT.		DWN	07SEP82	Tyco Electronics Corporation Harrisburg, Pa 17105-3608		
DIMENSIONS: mm [INCHES]		CHK	V.J.MARTINI	SLIDE SWITCH SP (MSSA-111 & 114)		
TOLERANCES UNLESS OTHERWISE SPECIFIED:		APVD	-	SIZE	CAGE CODE	DRAWING NO
0 PLC	± -	PRODUCT SPEC	-	A2	00779	C=2-1437580-9
1 PLC	± -	APPLICATION SPEC	-	SCALE	SHEET	OF
2 PLC	± 0.25[.010]	WEIGHT	-	4:1	1	1
3 PLC	± -	FINISH	-	CUSTOMER DRAWING	REV	D1
4 PLC	± -					
ANGLES	± -					