

Max. 144 m³/h

ACmaxx axial fans

□ 92 x 38 mm



- **Material:** Housing: GRP¹⁾ (PBTP)
Impeller: GRP¹⁾ (PA)
 - **Direction of air flow:** Exhaust over struts
 - **Direction of rotation:** Clockwise, looking towards rotor
 - **Connection:** Via single wires AWG 22, TR 64
 - **Highlights:** Universally usable for all power voltages between 85 and 265 VAC
 - **Weight:** 325 g
- **Possible special versions:** (See chapter DC fans - specials)
 - Speed signal
 - Go / NoGo alarm
 - Alarm with speed limit
 - External temperature sensor
 - Internal temperature sensor
 - PWM control input
 - Analog control input
 - Moisture protection
 - Salt spray protection
 - Degree of protection: IP 54

1) Fiberglass-reinforced plastic

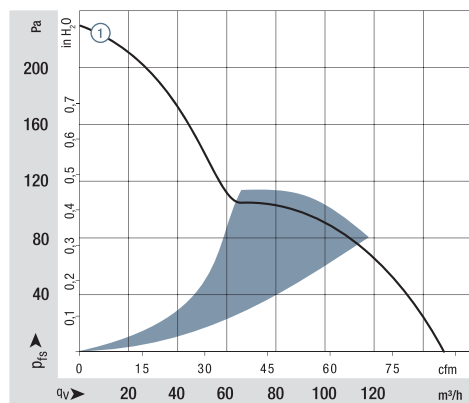
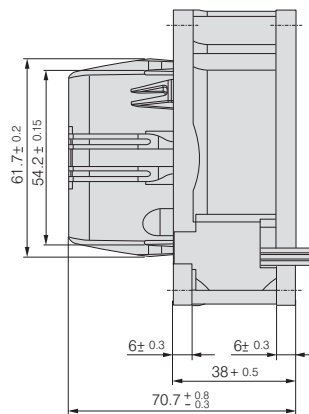
Series AC 3200 J

Nominal data

| Type | Air flow | | Nominal voltage | Frequency | Voltage range | Sound pressure level | Sound power level | Sinter sleeve bearings Ball bearings | Power consumption | Nominal speed | Temperature range | Service life L ₁₀ (40 °C) ebm-papst standard | Service life L ₁₀ (T _{max}) ebm-papst standard | Life expectancy L ₁₀ DFC (40 °C) see page 17 | Curve |
|------------|-------------------|-----|-----------------|-----------|---------------|----------------------|-------------------|-----------------------------------------|-------------------|---------------|-------------------|------------------------------------------------------------|------------------------------------------------------------------------|------------------------------------------------------------|-------|
| | m ³ /h | cfm | | | | | | | | | | | | | |
| AC 3200 JH | 144 | 85 | 115 / 230 | 50 / 60 | 85 ... 265 | 55 | 6.4 | ■ | 12 | 6 800 | -20...+70 | 70 000 / 35 000 | 117 500 | | ① |

Subject to change

Speed variants available on request.



Air performance measured according to: ISO 5801.
Installation category A, without contact protection.
Noise: Total sound power level L_{WA} ISO 103002 measured on a hemisphere with a radius of 2 m.
Sound pressure level L_{PA} measured at 1 m distance from fan axis.
The values given are applicable only under the specified measuring conditions and may differ depending on the installation conditions.
In the event of deviation from the standard configuration, the parameters must be checked after installation!
For detailed information see <http://www.ebmpapst.com/general-conditions>

