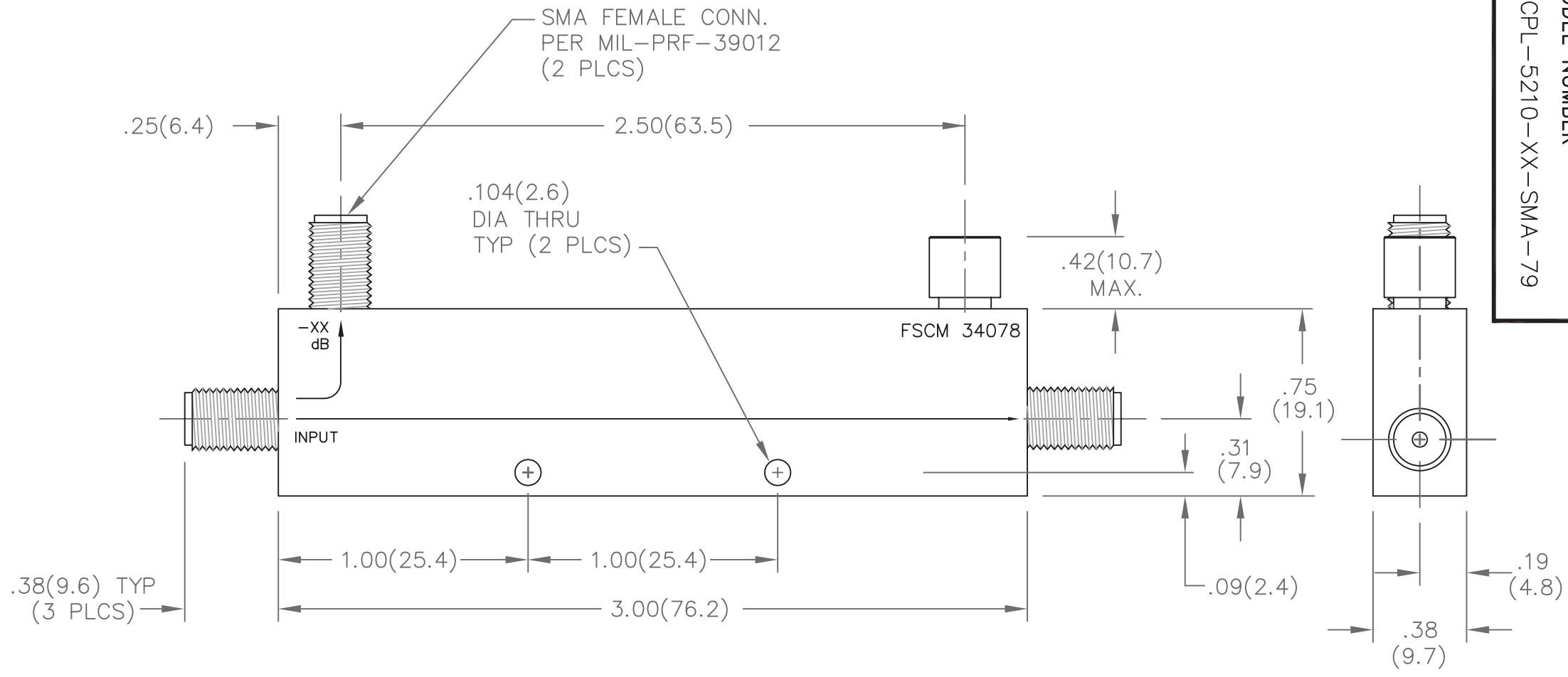


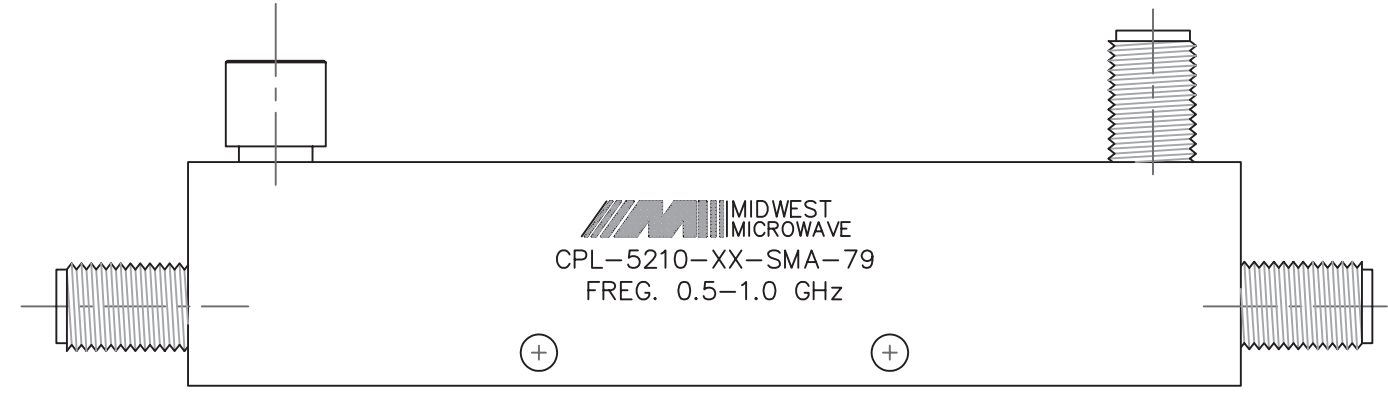
MODEL NUMBER
CPL-5210-XX-SMA-79

- NOTES:
- 1.0 ELECTRICAL SPECIFICATIONS:
 - 1.1 FREQUENCY RANGE:
 - 1.2 FREQ. SENSITIVITY:
 - 1.3 COUPLING: SEE TABLE
 - 1.4 VSWR (MAX):
 - 1.5 INSERTION LOSS (EXC. COUPLED POWER):
0.15dB MAX.
 - 1.6 DIRECTIVITY: 25dB MIN.
 - 1.7 POWER: SEE TABLE
 - 1.8 RF IMPEDANCE:
- 2.0 FINISHING:
 - 2.1 GREY OVER MIL-E-15090 TYPE II, CLASS 2
OVER MIL-C-5541 CLASS 3A
MEETS MIL-F-14072
MEETS MIL-E-5400 AND MIL-E-16400V.
 - 2.2 MARK UNIT AS SHOWN.
REF: SLK-09341-82-[00 THRU 03]
- 3.0 DIMENSIONS IN PARENTHESIS ARE
IN MILLIMETERS.
- 4.0 ASSEMBLY PER IPS-08025-40-01



CPL-5210-30-SMA-79	30dB	±0.75dB	50	50	4,000	1.50 (43.0)
CPL-5210-20-SMA-79	20dB	±0.75dB	50	50	4,000	1.50 (43.0)
CPL-5210-10-SMA-79	10dB	±0.75dB	50	10	4,000	1.50 (43.0)
CPL-5210-06-SMA-79	6dB	±0.60dB	50	4	4,000	1.50 (43.0)
CPL-5210-XX-SMA-79 MODEL NUMBER	-XX ±1.0dB COUPLING	FREQ. SENSITIVITY	INPUT POWER (WATTS)	REF.	PEAK	Oz (GRAMS) WIEGHT


DATE	12/6/91	7/25/95	4/14/05	1/5/11
DESCRIPTION	RELEASED	ECN 14582	ADDED TITLEBLOCK	ECO 23090
REV.	I	A	A1	G



BACKSIDE MARKING

NOTICE: The information contained in this drawing is proprietary and must not be used without the permission of Cinch Connectivity Solutions.

UNLESS OTHERWISE NOTED DIMENSIONS ARE IN INCHES AND TOLERANCES ARE:
 3 PLACE DECIMALS ±.005
 2 PLACE DECIMALS ±.02
 FRACTIONS ±1/64
 PARALLELITY: T.I.R. _____
 FLATNESS: T.I.R. _____
 CONCENTRICITY: T.I.R. _____
 ANGLES AND PERPENDICULARITY: ±1°

CAGE CODE 34078		MIDWEST MICROWAVE	
		TITLE DIRECTIONAL COUPLER OUTLINE DRAWING	
		DRAWING NUMBER CPL-5210-XX-SMA-79-01	REV. G
DRAWN/DATE A.BEATTY 11/15/91	ENG./DATE P.GOODMAN 12/6/91	SCALE: 2=1	
CHECKED/DATE C.RICKARD 11/19/91	APPROVED/DATE	SHEET 1 of 1	