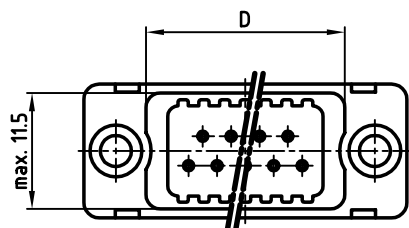
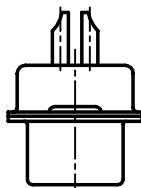
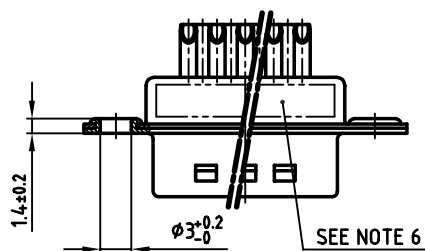
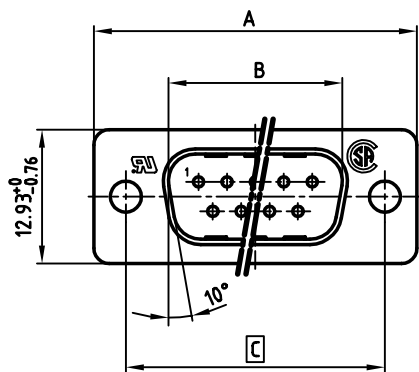
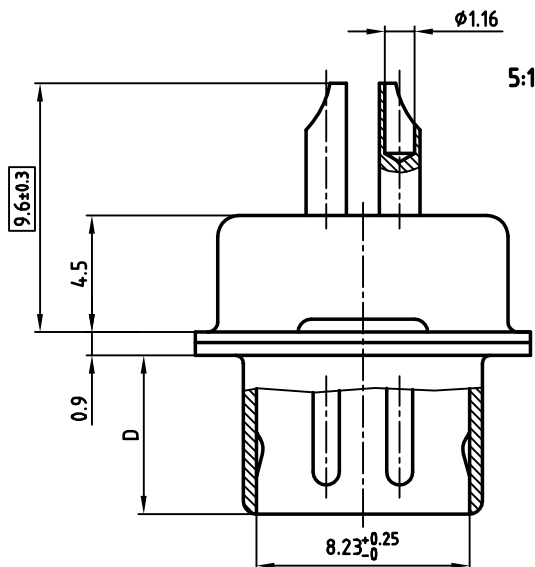


used for: D-SUB FILTER

POS.	A -0.76	B -0.25	C	max. D	Part NO.
9	31.19	16.46	25.00 $^{+0.12}_{-0.13}$	19.60	241A26920X
15	39.52	24.79	33.30 $^{+0.15}_{-0.1}$	27.90	241A26930X
25	53.42	38.50	47.04 ± 0.13	41.60	241A26940X
37	69.70	54.96	63.50 ± 0.13	58.00	241A26950X



NOTES:

- METALSHELLS: STEEL; min. 320µ" TIN
- INSULATORS: PBT GF UL 94 V-0, BLACK
- CONTACTS: COPPER ALLOY
PLATING: min. 8µ" HARD GOLD OVER min. 50µ" NICKEL
SOLDER CUP ACCEPTS CABLE AWG 20
- CAPACITANCE: 830pF ±20%
- DIELECTRIC WITHSTANDING VOLTAGE: 424 VDC
- CONNECTOR IS PART MARKED: PART-NO. CONEC Y/WW
- = CRITICAL DIMENSION

APPROVAL # FREIGABE # DEBLOCAGE # AUTORIZACION # APPROVAL

CUSTOMER APPROVAL DATE:

NAME: TITLE:

COMPANY NAME:

APPROVAL # FREIGABE # DEBLOCAGE # AUTORIZACION # APPROVAL

THIS DRAWING MAY NOT BE COPIED OR REPRODUCED IN ANY WAY, AND MAY NOT BE PASSED ON TO A THIRD PARTY, WITHOUT WRITTEN PERMISSION. OWNERSHIP AND COPYRIGHT OF CONEC GmbH DO NOT ALTER CAD DRAWING BY HAND

rev.	description	date	name

tolerance

scale: 2:1 (5:1)

material: SEE NOTES

title: D-SUB FILTER MALE
9-37pos. SOLDER CUP

dwg no: AutoCAD 2000 DIN-A
3 sh:1/1

part no: SEE TABLE

CONEC

2000	date	name
drawn	21.08.	Parei
appd.	21.08.	Mickenbecker
norm	DIN 41652	
d-old		