

THIS DRAWING IS UNPUBLISHED.

RELEASED FOR PUBLICATION

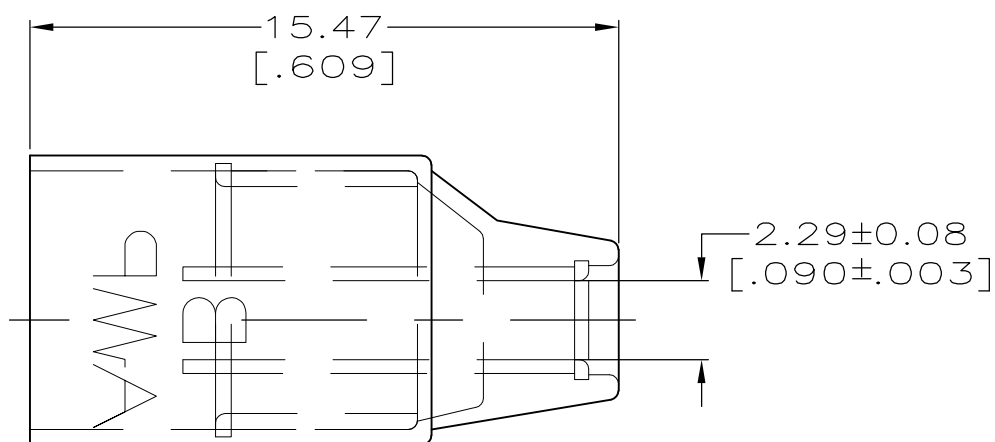
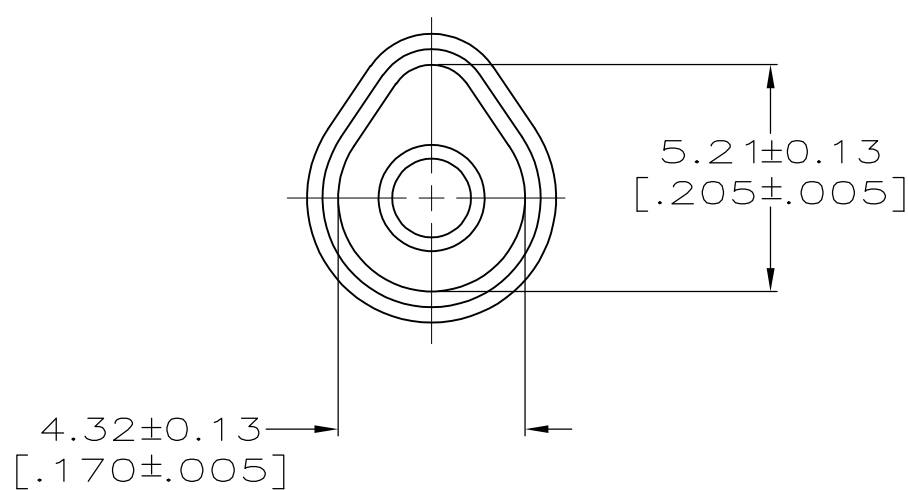
---

© COPYRIGHT BY TYCO ELECTRONICS CORPORATION.

ALL INTERNATIONAL RIGHTS RESERVED.

LOC	DIST	REVISIONS					
AJ	16	P	LTR	DESCRIPTION	DATE	DWN	APVD
			M	REVISED PER ECO-10-009236	05MAY10	HMR	KW

- 1 MATERIALS:  
INNER FERRULE: COPPER ALLOY  
OUTER FERRULE: COPPER ALLOY  
MOLDING: NYLON (COLOR: NATURAL)
- 2 FINISH:  
INNER FERRULE: TIN PL PER MIL-T-10727  
OUTER FERRULE: TIN PL PER MIL-T-10727
- 3. 1.50-2.16[.059-.085] PRIMARY INSULATION DIA RANGE



THIS DRAWING IS A CONTROLLED DOCUMENT.		DWN J.DAVIS	01/13/93	Tyco Electronics Corporation Harrisburg, Pa 17105-3608													
DIMENSIONS: mm [INCHES]		CHK G.MICHAEL	02/05/93	NAME CONN, COAX,R.F., TERMASHIELD, FERRULE													
TOLERANCES UNLESS OTHERWISE SPECIFIED:		APVD G.MICHAEL	02/05/93	PRODUCT SPEC -													
<table border="0"> <tr><td>0 PLC</td><td>± -</td></tr> <tr><td>1 PLC</td><td>± -</td></tr> <tr><td>2 PLC</td><td>± .20[.008]</td></tr> <tr><td>3 PLC</td><td>± -</td></tr> <tr><td>4 PLC</td><td>± -</td></tr> <tr><td>ANGLES</td><td>± -</td></tr> </table>		0 PLC	± -	1 PLC	± -	2 PLC	± .20[.008]	3 PLC	± -	4 PLC	± -	ANGLES	± -	APPLICATION SPEC -		SIZE A3	CAGE CODE 00779
0 PLC	± -																
1 PLC	± -																
2 PLC	± .20[.008]																
3 PLC	± -																
4 PLC	± -																
ANGLES	± -																
MATERIAL 1	FINISH 2	WEIGHT .026 OZ		DRAWING NO G-329332	RESTRICTED TO -												
CUSTOMER DRAWING				SCALE NTS	SHEET 1 OF 1												
				REV M													