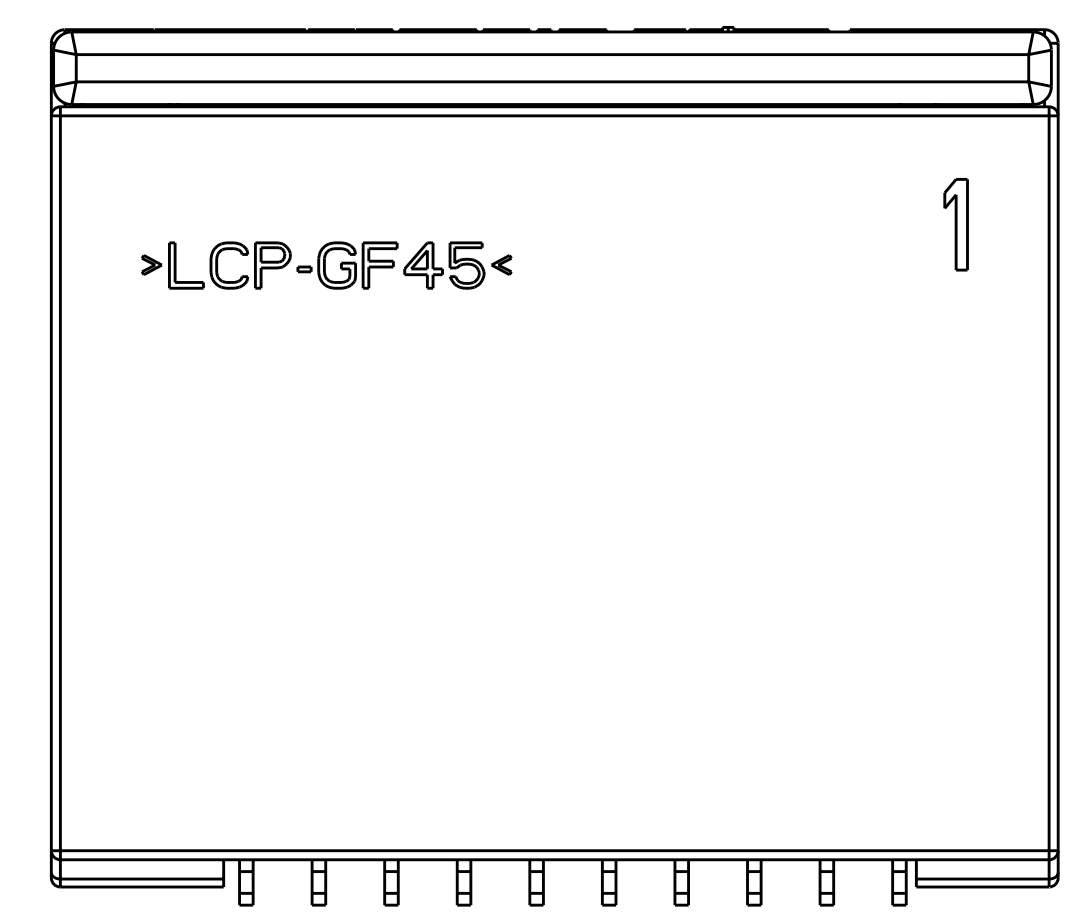
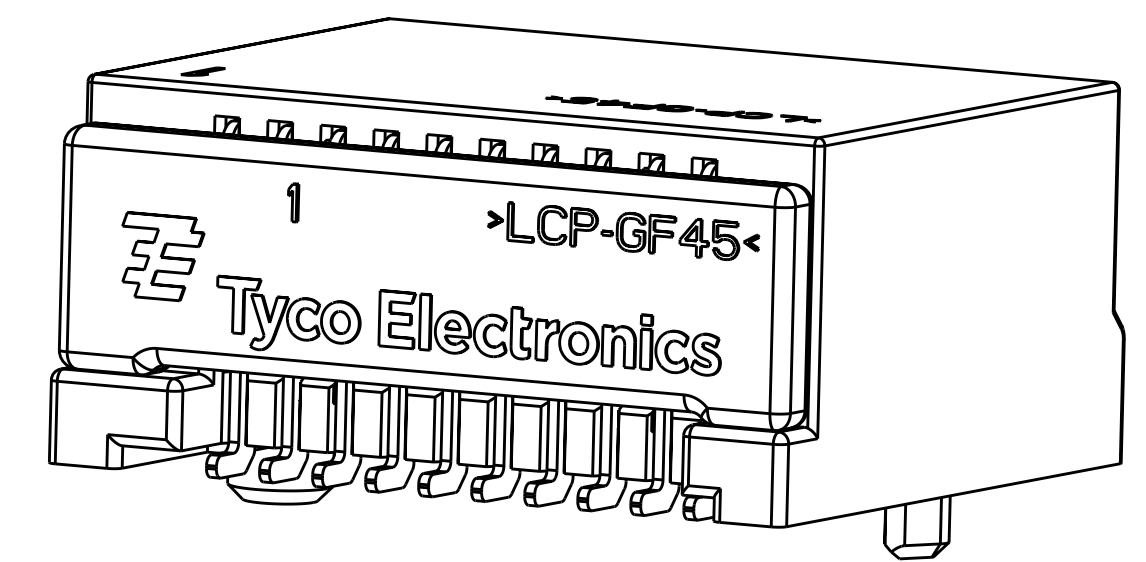
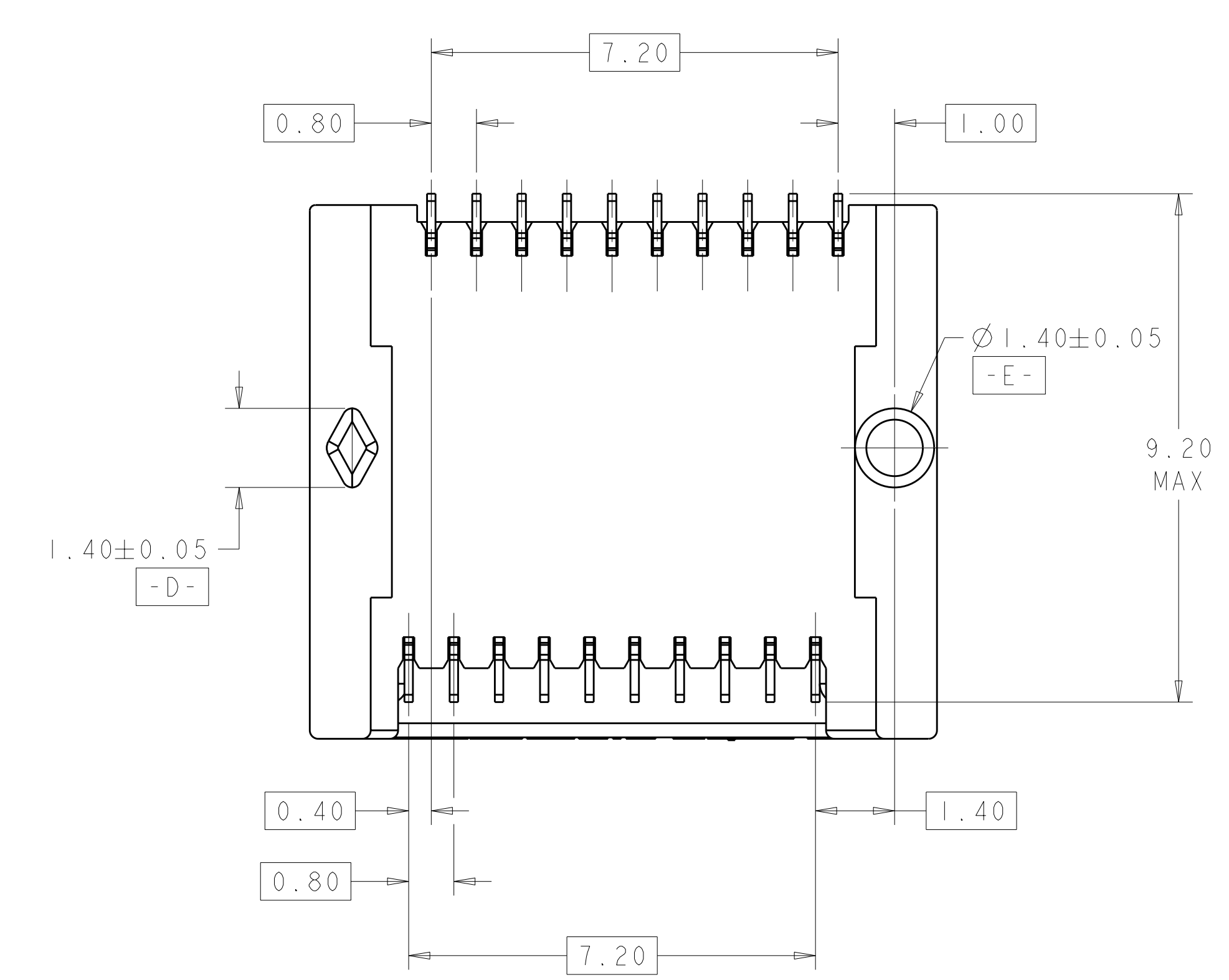
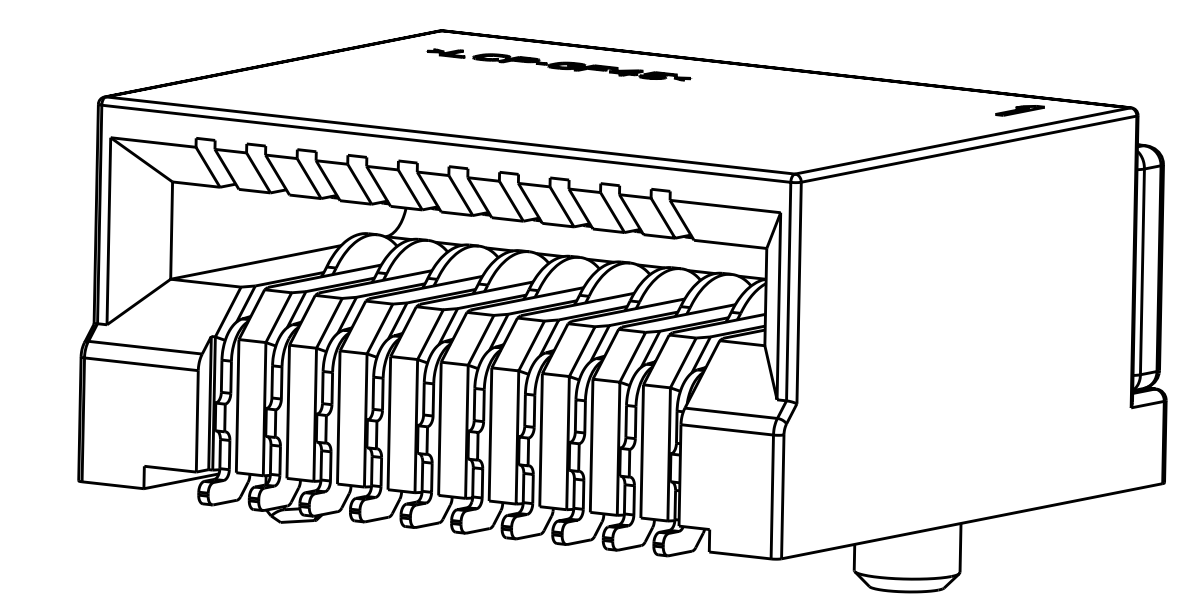
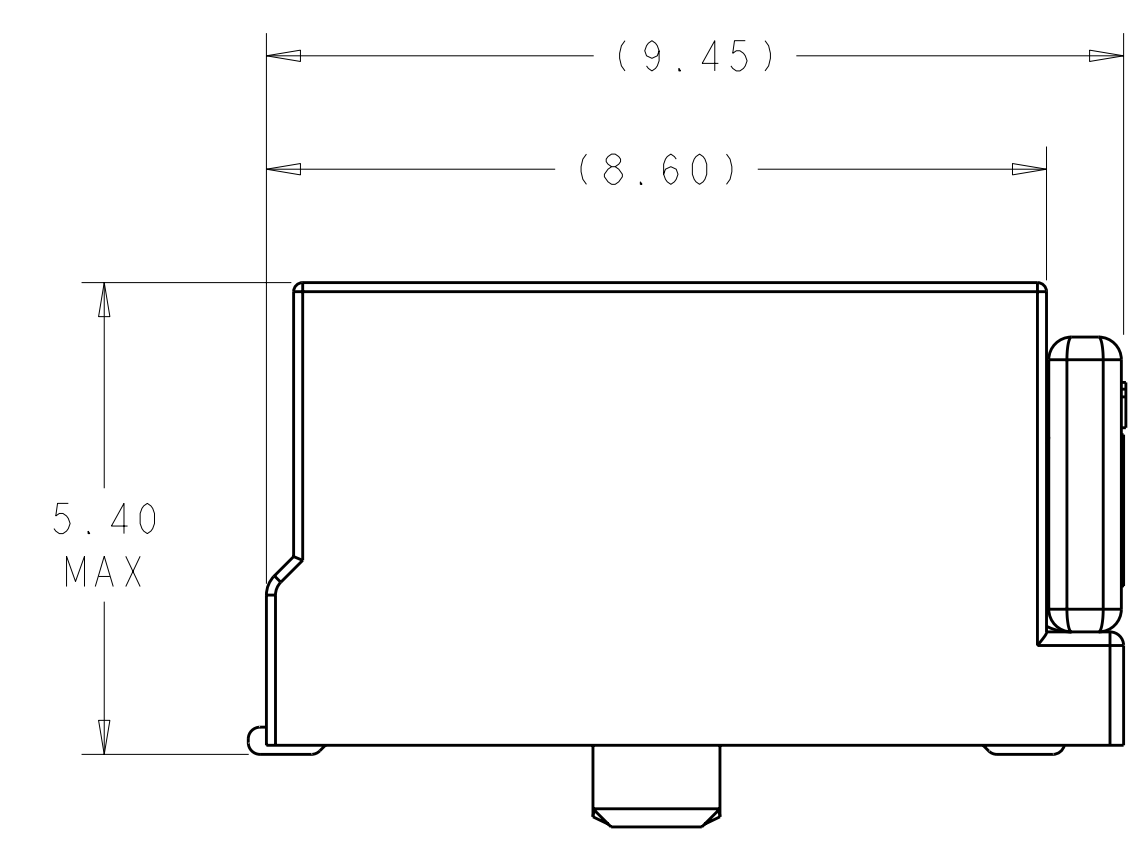
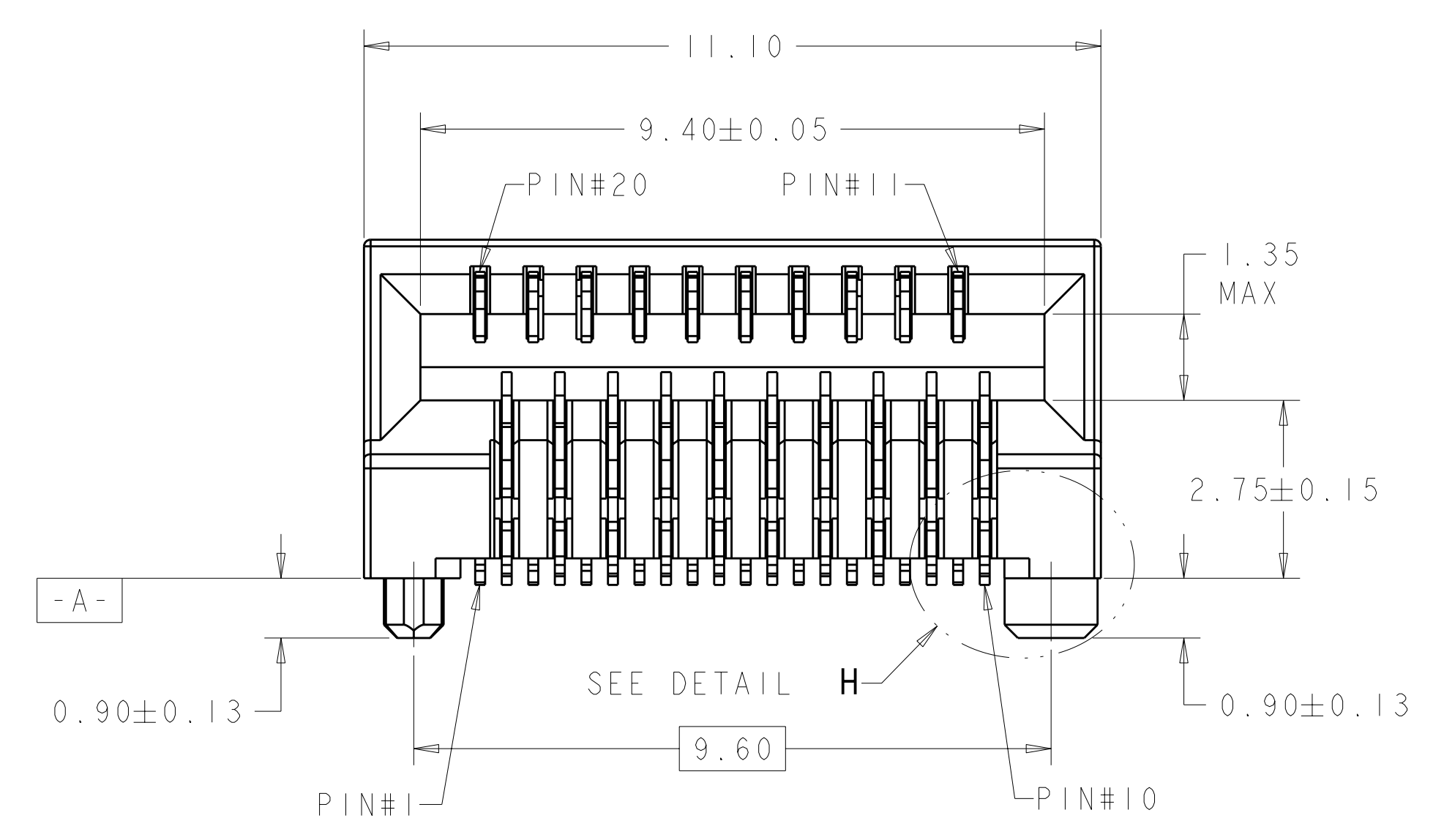


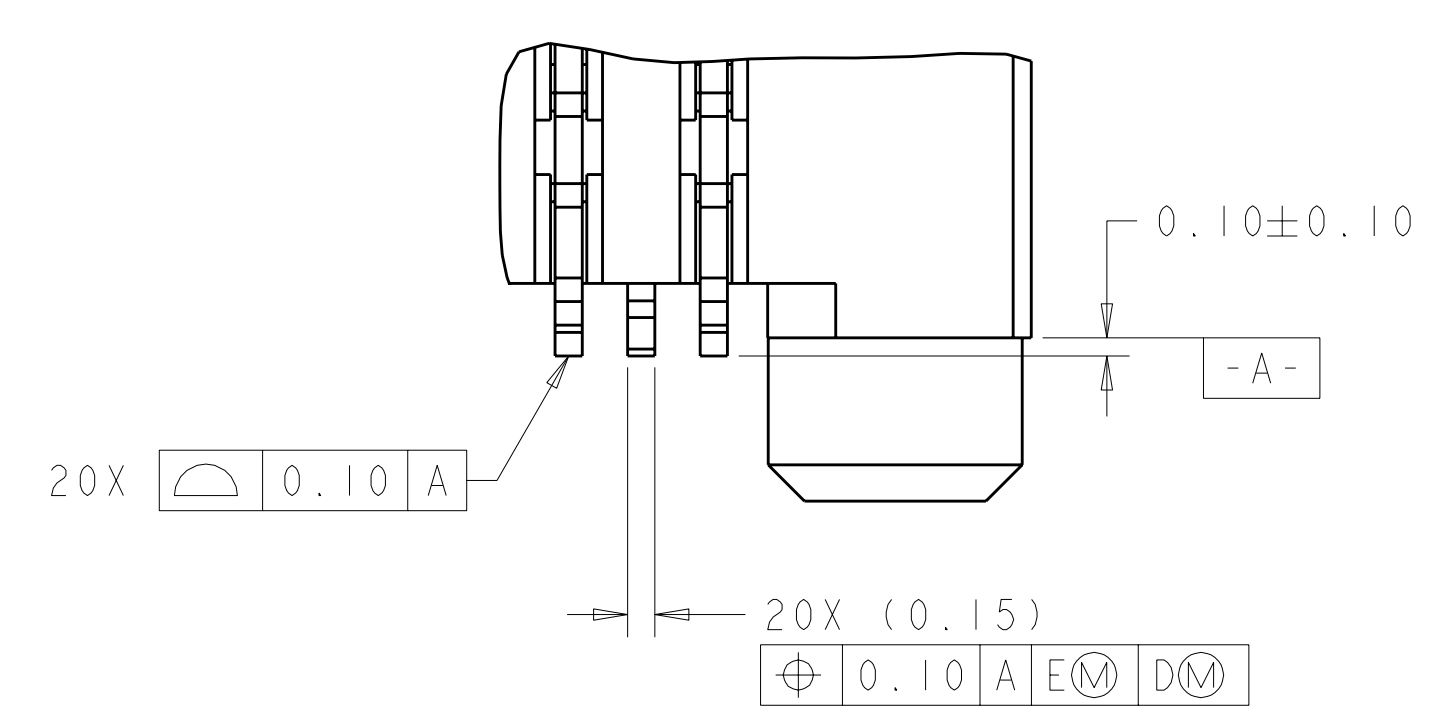
LOC	DIST	REVISIONS				
REV	LTG	DESCRIPTION	DATE	DWN	APVD	
GP	00	A	RELEASED PER ECO-12-001478	17FEB2012	BM	MS



- 1 MATERIAL:
HOUSING AND RETENTION PLUG: POLYESTER LCP, UL 94V-0, BLACK
CONTACTS: COPPER ALLOY.
- 2 FINISH:
CONTACT: CONFORMS TO TE PRODUCT SPEC 108-2424, BASED ON
EIA/ECA-364-1000 O1A. (CONTROLLED ENVIRONMENT APPLICATIONS)
ON MATING END, GOLD FLASH OVER NICKEL ON SOLDER TAILS.
- 3 DATUMS AND BASIC DIMENSIONS ARE TO BE ESTABLISHED BY
CUSTOMER.



2110759-1
SCALE 10:1

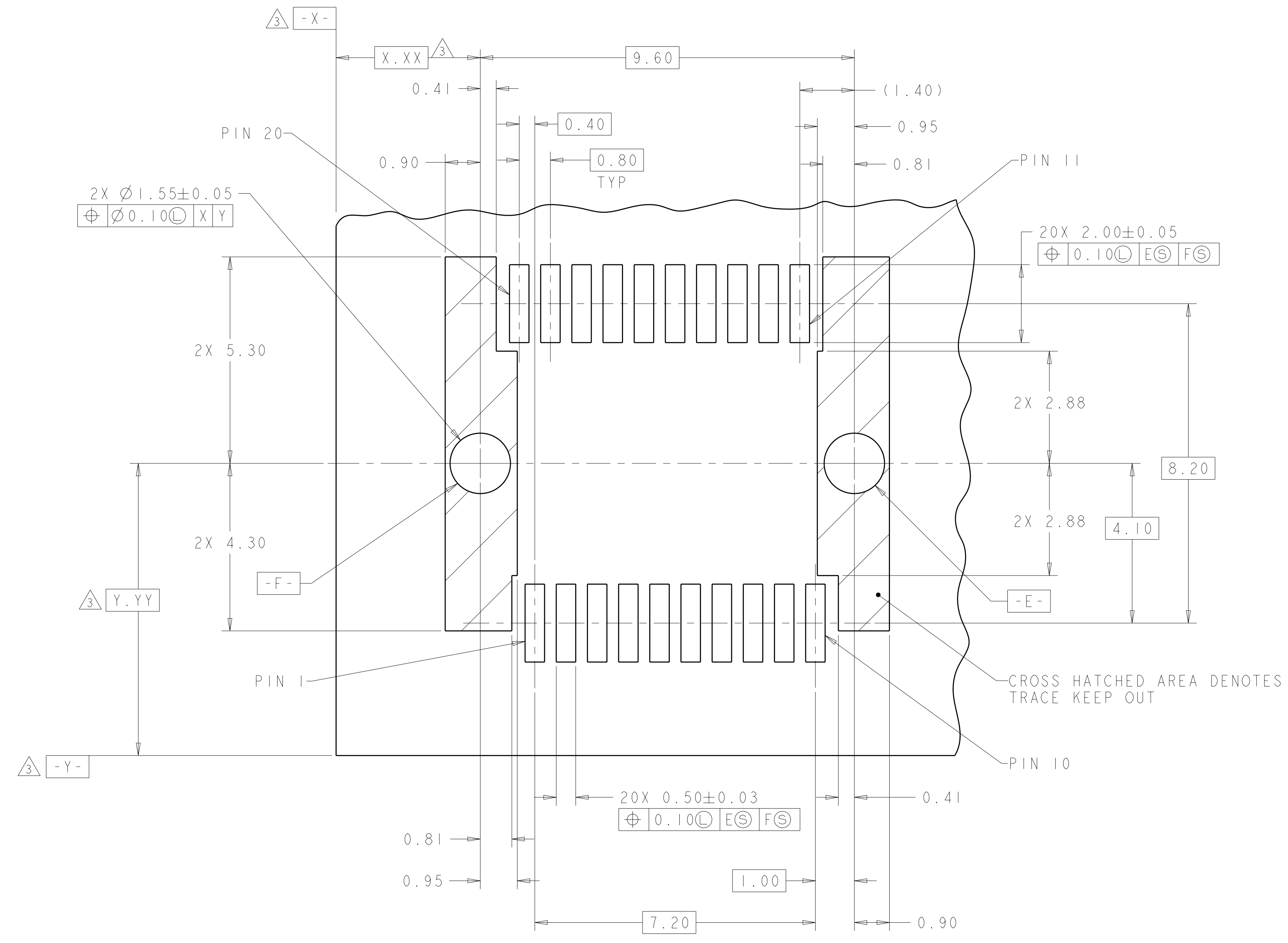


DETAIL H
SCALE 24:1

2110759-1
PART
NUMBER

<small>THIS DRAWING IS UNPUBLISHED. RELEASED FOR PUBLICATION. THIS IS SUBJECT TO CHANGE WITHOUT NOTICE. THE CUSTOMER IS RESPONSIBLE FOR VERIFYING THE DIMENSIONS AND TOLERANCES OF THE PARTS AND ASSEMBLIES. CONTACT THE CUSTOMER FOR THE LATEST REVISION.</small>		DWN: B. MCMASTER 16 JUN 09 CHK: J. WESTMAN 16 JUN 09 APVD: J. WESTMAN 16 JUN 09	Tyco Electronics Harrisburg, PA 17105-3608
DIMENSIONS: mm TOLERANCES UNLESS OTHERWISE SPECIFIED: 9 PLC ± 8 PLC ±0.10 5 PLC ± 4 PLC ± ANGLES ±	PRODUCT SPEC: 108-2424 APPLICATION SPEC: 114-13120	NAME: PT CONNECTOR ASSEMBLY, 20 POS. RIGHT ANGLE, 0.8mm PITCH, 16G SFP	SIZE: CAGE CODE DRAWING NO. RESTRICTED TO: A1100779C=2110759
MATERIAL: 1	FINISH: 2	WEIGHT: -	CUSTOMER DRAWING
SCALE 12:1		SHEET 1 OF 3	REV A

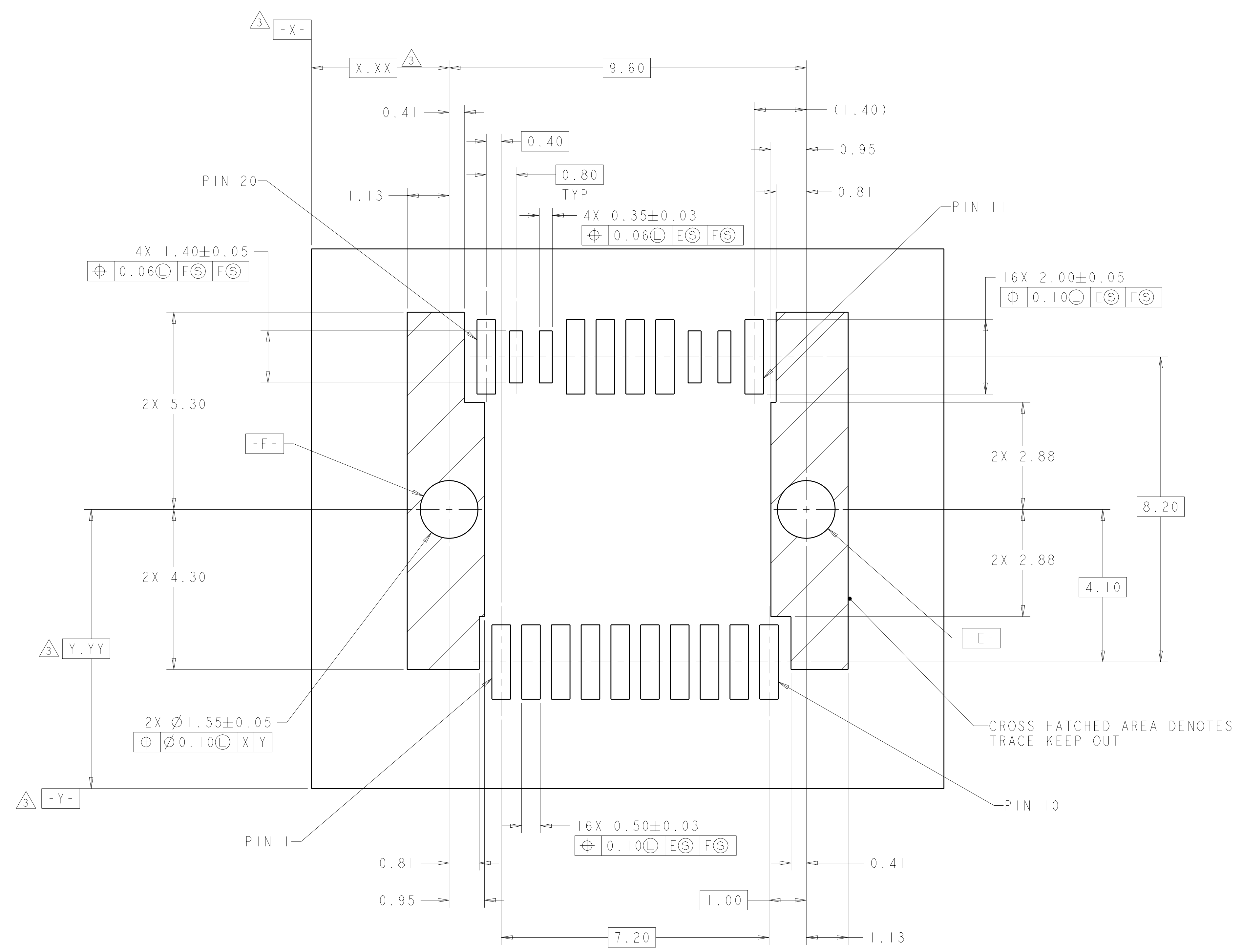
LOC	DIST	REVISIONS			
GP	00	REV	DATE	DWN	APVD
		-	SEE SHEET 1	-	-



RECOMMENDED PCB LAYOUT DETAIL
 CONNECTOR MOUNTING SIDE
 SCALE 14:1

<small>THIS DRAWING IS UNPUBLISHED. RELEASED FOR PUBLICATION BY TYCO ELECTRONICS CORPORATION. IT IS SUBJECT TO CHANGE WITHOUT NOTICE AND CONSTRUCTION DIMENSIONS SHALL BE CONTACTED FOR THE LATEST REVISION.</small>		DWN: B. MCMASTER CHK: J. WESTMAN APVD: J. WESTMAN	16 JUN 09 16 JUN 09 16 JUN 09	Tyco Electronics Harrisburg, PA 17105-3608
DIMENSIONS: mm 		TOLERANCES UNLESS OTHERWISE SPECIFIED: 9 PLC ± 1 PLC ± 2 PLC ±0.10 3 PLC ± 4 PLC ± ANGLES ±		NAME: PT CONNECTOR ASSEMBLY, 20 POS. RIGHT ANGLE, 0.8mm PITCH, 16G SFP PRODUCT SPEC: 108-2424 APPLICATION SPEC: 114-13120
MATERIAL: FINISH:		WEIGHT:	SIZE: CAGE CODE: DRAWING NO: A100779C=2110759 RESTRICTED TO:	SCALE: 12:1 SHEET 2 OF 3 REV A
CUSTOMER DRAWING		DATE: 12/11/09		

LOC	DIST	REVISIONS			
GP	00	REV	DATE	BY	APPD
		-	SEE SHEET 1	-	-



OPTIONAL LAYOUT FOR IMPROVED SIGNAL INTEGRITY, MOUNTING SIDE
 SCALE 15:1

DIMENSIONS: mm		TOLERANCES UNLESS OTHERWISE SPECIFIED: 9 PLC ± 8 PLC ±0.10 5 PLC ± 4 PLC ± ANGLES ±		DWN B. MCMASTER 16 JUN 09 CHK J. WESTMAN 16 JUN 09 APVD J. WESTMAN 16 JUN 09		Tyco Electronics Harrisburg, PA 17105-3608	
MATERIAL: FINISH		16X 0.50±0.03 ±0.10 L E S F S		NAME: PT CONNECTOR ASSEMBLY, 20 POS. RIGHT ANGLE, 0.8mm PITCH, 16G SFP		SIZE CAGE CODE DRAWING NO. RESTRICTED TO: A 100779 C-2110759	
CUSTOMER DRAWING		SCALE 12:1		SHEET 3 OF 3		REV A	