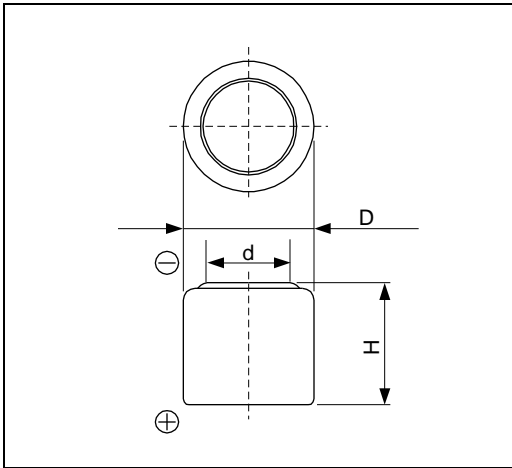


Cell Type CR-1/3N Specifications

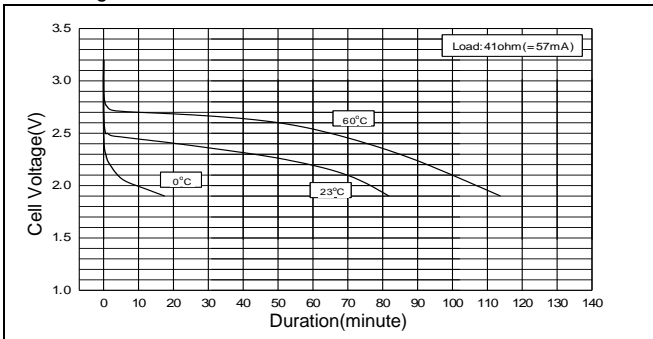


Nominal Voltage (V)	3	
Nominal Capacity (mAh) ^{*1}	160	
Standard Discharge Current (mA)	2	
Temperature Range (°C)	-20 ~ +60	
Approx. weight (g)	3.3	
Dimensions (mm)	D	11.6
	H	10.8
	d	7.8

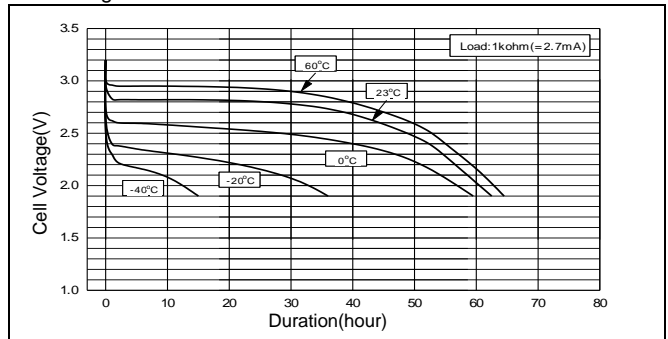
*1 Nominal capacity is determined to an end voltage of 2.0V when the battery is allowed to discharge at a standard current level at 23°C.

Typical Characteristics

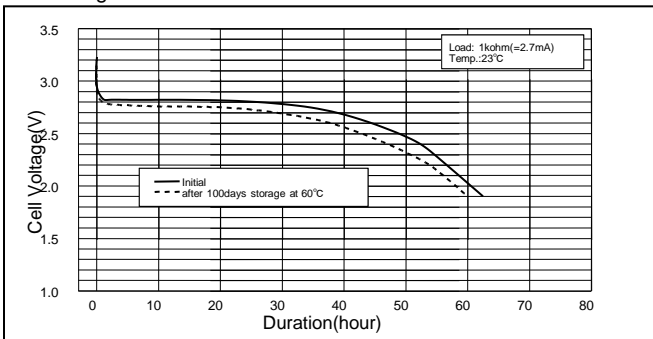
Discharge Characteristics of CR1/3N



Discharge Characteristics of CR1/3N



Discharge Characteristics of CR1/3N



Discharge Load vs. Capacity of CR1/3N

