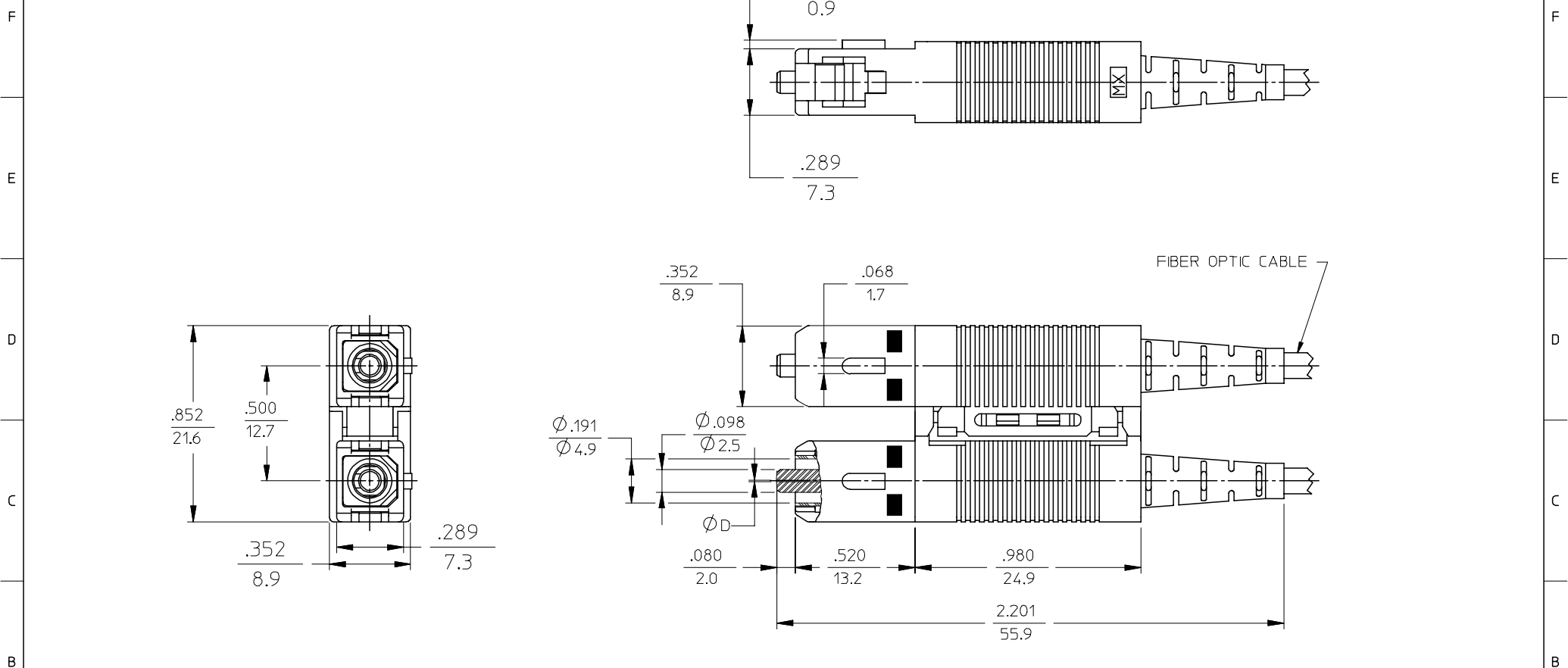


10 9 8 7 6 5 4 3 2 1



ENTER DESCRIPTION EC NO: MF2006-0318 DRWN:LSADAUSKI/ENE 2005/11/17 CHKD: 2005/11/18 APPR:IGUMIN 2005/11/18 REV A	QUALITY SYMBOLS $\nabla=0$ $\nabla=0$	GENERAL TOLERANCES (UNLESS SPECIFIED)		DIMENSION STYLE IN/MM		SCALE 4:1	DESIGN UNITS INCH	THIRD ANGLE PROJECTION	
		4 PLACES \pm --- \pm ---	3 PLACES \pm --- \pm ---	DRAWN BY RPACIFIC1	DATE 2005/10/04	TITLE SC FIBER CHANNEL DUPLEX CONNECTOR			
		2 PLACES \pm --- \pm ---	1 PLACE \pm --- \pm ---	CHECKED BY	DATE				
		ANGULAR $\pm 1/2^\circ$		APPROVED BY I.GUMIN	DATE 2005/11/15	MOLEX INCORPORATED			
DRAFT WHERE APPLICABLE MUST REMAIN WITHIN DIMENSIONS		MATERIAL NO. SEE TABLE		DOCUMENT NO. SD-106034-XXX0		SHEET NO. 1 OF 02			

1b_frame_B_P_ME_T Rev. D 2004/04/02 9 8 7 6 5 4 3 2 1

	13	12	11	10	9	8	7	6	5	4	3	2	1			
	CONNECTOR P/N	ØD Hm	HOUSING COLOR	BOOT COLOR	CONNECTOR TYPE	FIBER OPTIC CABLE SIZE (mm)										
J	106034-0000	127 $\begin{smallmatrix} +3.0 \\ -0.0 \end{smallmatrix}$	BEIGE	BEIGE	MULTIMODE	3.0								J		
	106034-0900					2.0&1.6 DUPLEX										
	106034-0100					1.6 SMPLEX										
	106034-0070					3.0										
I	106034-0970		127 $\begin{smallmatrix} +3.0 \\ -0.0 \end{smallmatrix}$	BLACK		BLACK	MULTIMODE	2.0&1.6 DUPLEX								I
	106034-0170							1.6 SMPLEX								
	106034-0080							3.0								
	106034-0980							2.0&1.6 DUPLEX								
H	106034-0180	125.5 $\begin{smallmatrix} +1.0 \\ -0.0 \end{smallmatrix}$		RED	RED	SINGLE MODE		1.6 SMPLEX								H
	106034-2000							3.0								
	106034-2900							2.0&1.6 DUPLEX								
	106034-2100							1.6 SMPLEX								
G	106034-3000		128 $\begin{smallmatrix} +2.0 \\ -0.0 \end{smallmatrix}$	BEIGE	BEIGE		MULTIMODE	3.0								G
	106034-3900				YELLOW			2.0&1.6 DUPLEX								
	106034-3910				WHITE			1.6 SMPLEX								
	106034-3920				BEIGE			3.0								
	106034-3100	BLACK		BLACK	MULTIMODE	2.0&1.6 DUPLEX										
	106034-3070					1.6 SMPLEX										
	106034-3970					3.0										
	106034-3170					2.0&1.6 DUPLEX										
F	106034-3080	126 $\begin{smallmatrix} +1.0 \\ -0.0 \end{smallmatrix}$	RED	RED		SINGLE MODE	1.6 SMPLEX								F	
	106034-3980						2.0&1.6 DUPLEX									
	106034-3180						3.0									
	106034-5000						2.0&1.6 DUPLEX									
	106034-5900				1.6 SMPLEX											
	106034-5100				3.0											
E	106034-6000	125.5 $\begin{smallmatrix} +0.5 \\ -0.0 \end{smallmatrix}$	BLUE	BLUE	SINGLE MODE	2.0&1.6 DUPLEX								E		
	106034-6900					1.6 SMPLEX										
	106034-6100					3.0										
D														D		
C														C		
B														B		
A														A		

ENTER DESCRIPTION FCC NO: MF2006-0318 DRAWN: SADASKI/ENE 2005/11/17 CHKD: 2005/11/18 APPR: I.GUMIN 2005/11/18 REVISIONS A	QUALITY SYMBOLS =0 =0	GENERAL TOLERANCES (UNLESS SPECIFIED)		DIMENSION STYLE IN/MM		SCALE 4:1	DESIGN UNITS INCH	THIRD ANGLE PROJECTION			
			mm	INCH	DRAWN BY RPACIFICI	DATE 2005/10/04	TITLE SC FIBER CHANNEL DUPLEX CONNECTOR				
		4 PLACES	±	---	±	---	CHECKED BY	DATE			
		3 PLACES	±	---	±	---					
2 PLACES	±	---	±	---							
1 PLACE	±	---	±	---							
ANGULAR ±1/2°		APPROVED BY I.GUMIN		DATE 2005/11/15		MOLEX INCORPORATED					
DRAFT WHERE APPLICABLE MUST REMAIN WITHIN DIMENSIONS		MATERIAL NO. SEE TABLE		DOCUMENT NO. SD-106034-XXX0		SHEET NO. 2 OF 02					
THIS DRAWING CONTAINS INFORMATION THAT IS PROPRIETARY TO MOLEX INCORPORATED AND SHOULD NOT BE USED WITHOUT WRITTEN PERMISSION											