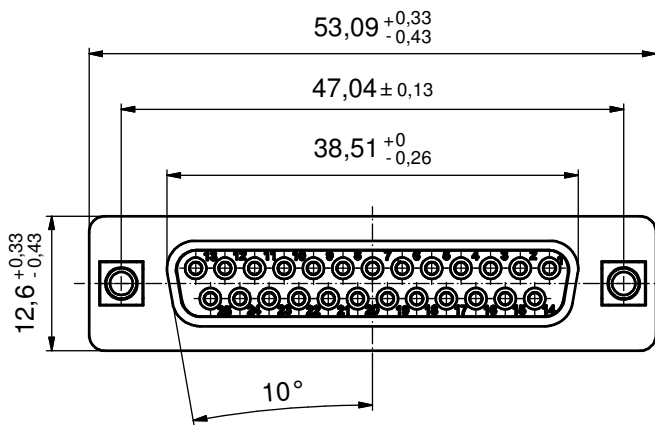
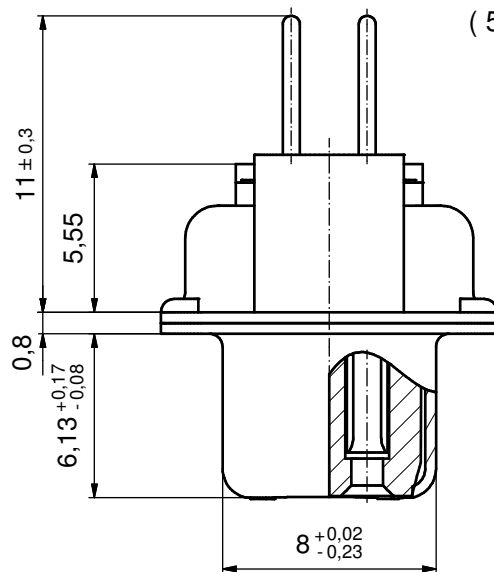


6 5 4 3 2 1

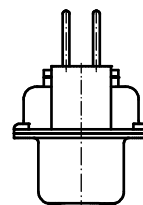
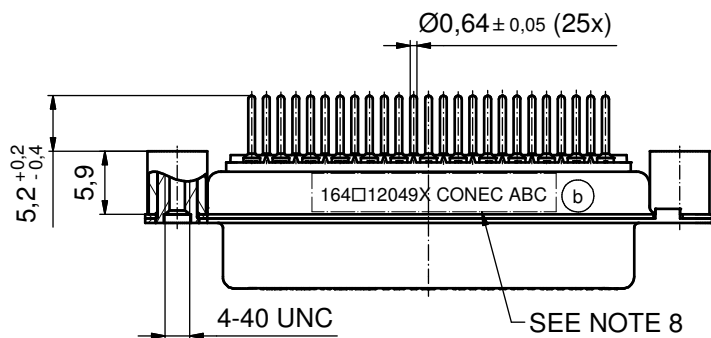
D



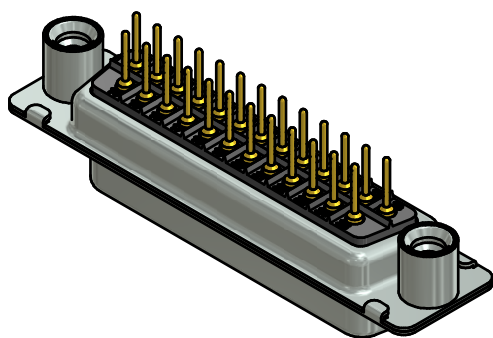
(5:1)



C



B



NOTES:

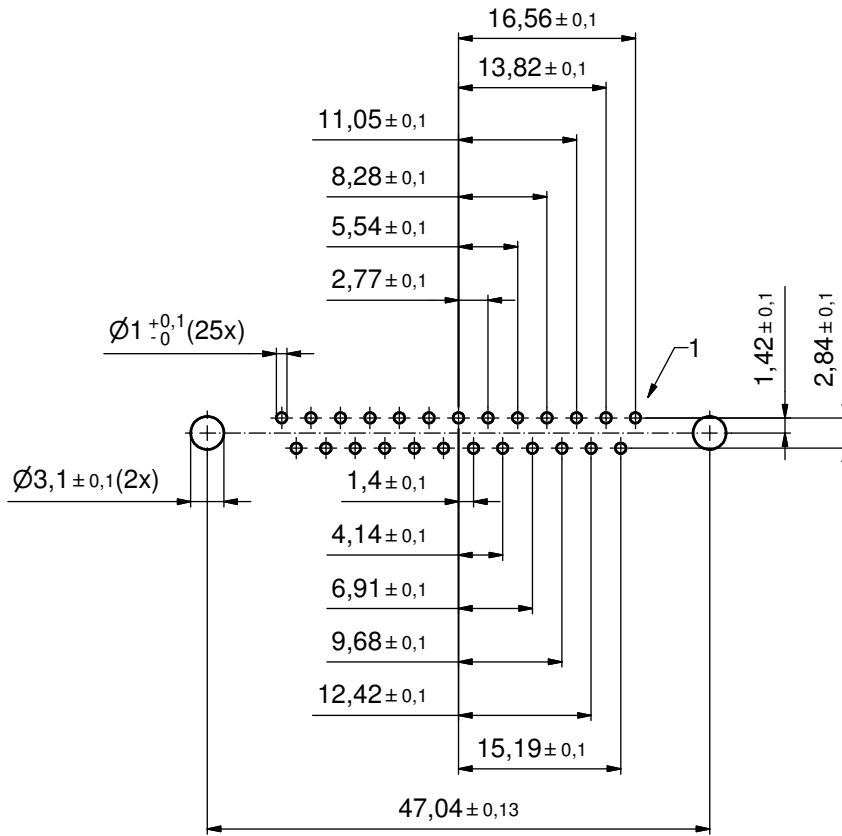
1. METALSHELLS: STEEL; min. 315µm TIN over 40-80µm NICKEL
2. INSULATORS: PBT GF UL 94 V-0, BLACK
3. CONTACTS: COPPER ALLOY; PLATING (SEE PART NO.):
 - (b) PLEASE ADD A for GOLD FLASH over NICKEL (PREFERRED TYPE)
 - PLEASE ADD B for 20µm HARD GOLD over min. 50µm NICKEL
 - PLEASE ADD C for 30µm HARD GOLD over min. 50µm NICKEL
4. THREADED REAR SPACERS: COPPER ALLOY; min. 200µm TIN over 80µm NICKEL
5. SLEEVES: COPPER ALLOY; min. 200µm TIN over 80µm NICKEL
6. P.C.B. HOLE DRILLINGS ON SHEET 2
7. MAXIMUM TORQUE VALUE FOR THREAD: 6 in.LB
8. CONNECTOR IS PART MARKED: 164□12049X CONEC ABC (see note 3)

A

RoHS compliant

THIS DRAWING MAY NOT BE COPIED OR REPRODUCED IN ANY WAY, AND MAY NOT BE PASSED ON TO A THIRD PARTY WITHOUT WRITTEN PERMISSION. OWNERSHIP AND COPYRIGHT OF CONEC GmbH DO NOT ALTER CAD DRAWING BY HAND				tolerance		scale: 2:1 (5:1)
				date	name	material: see notes
				drawn	21.01.15	Henneboel
				appd.	21.01.15	Lehmenkühler
				norm		
			d-old	16K1A904/16K2A904		
			4 x b	Ä5499	21.01.2015	K.H.
			a	Original		
			rev.	description	date	name
					title: D-SUB FEMALE	
					25pos. SOLDER PIN STRAIGHT with threaded rear spacer	
			dwg no: (b) 16K1A3576			DIN-A3
			part no: (b) 164□12049X (see note 3)			sh: 1/2

6 5 4 3 2 1



P.C.B. HOLE DRILLINGS
(P.C.B. TOP SIDE)

THIS DRAWING MAY NOT BE COPIED OR REPRODUCED IN ANY WAY, AND MAY NOT BE PASSED ON TO A THIRD PARTY WITHOUT WRITTEN PERMISSION. OWNERSHIP AND COPYRIGHT OF CONEC GmbH DO NOT ALTER CAD DRAWING BY HAND				tolerance		scale: 2:1	
				date	name	material: see sheet 1	
				drawn	21.01.15	Henneboel	title: P.C.B. HOLE DRILLINGS D-SUB FEMALE 25pos. SOLDER PIN STRAIGHT with threaded rear spacer
				appd.	21.01.15	Lehmenkühler	
				norm			
				d-old			
	a	Original		CONEC [®]			dwg no:
rev.	description	date	name				16K1A3576
						part no: SEE SHEET 1	