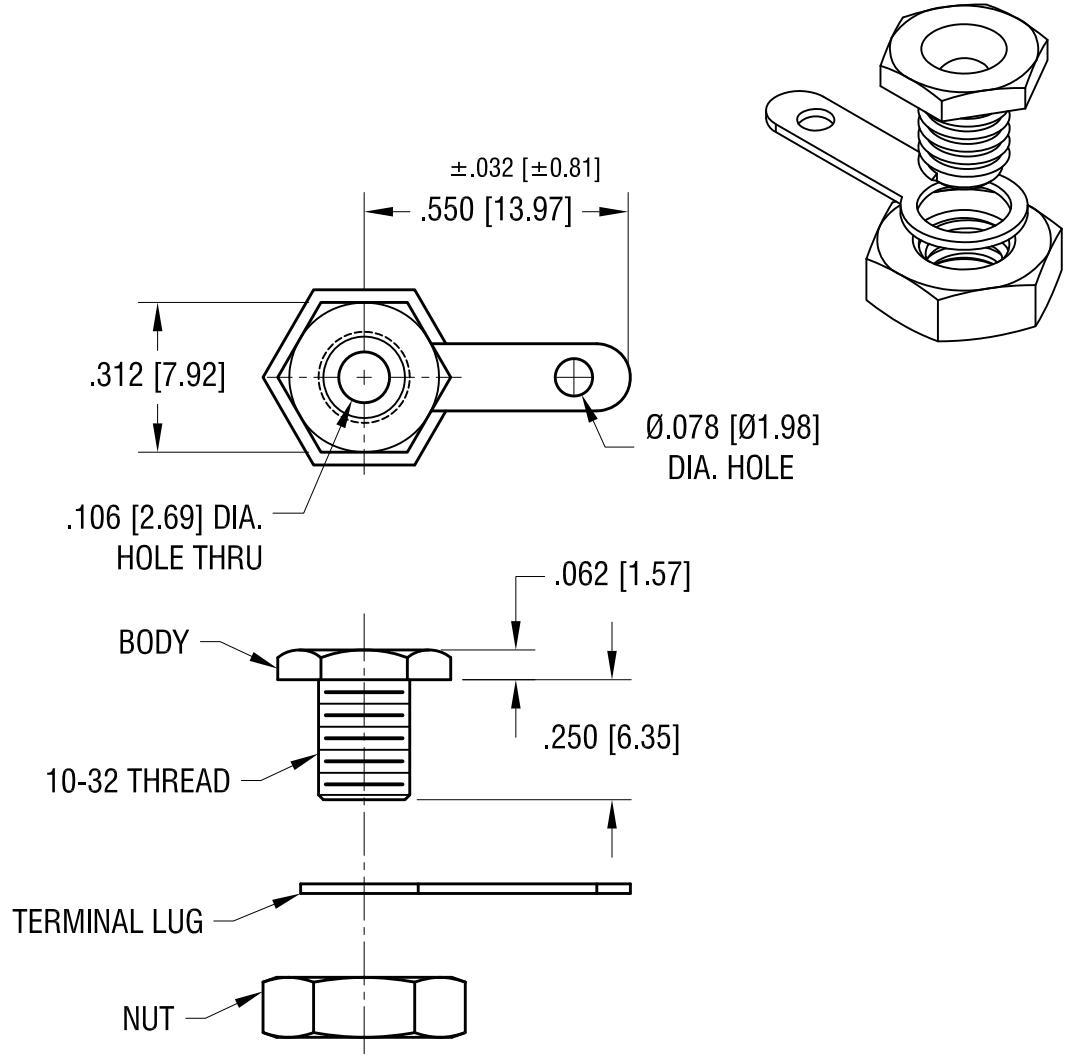


THIS DOCUMENT IS THE PROPERTY OF  
KEYSTONE ELECTRONICS CORP. AND  
SHALL NOT BE REPRODUCED, DISTRIBUTED  
OR USED AS A BASIS FOR MANUFACTURE  
WITHOUT PRIOR WRITTEN PERMISSION  
FROM KEYSTONE ELECTRONICS CORP.



NOTES:

- 1. BODY: MAT'L - BRASS, NICKEL PLATE
- TERMININAL LUG: MAT'L - BRASS, TIN PLATE
- NUT: MAT'L - STEEL, ZINC PLATE

9.22.08	CHANGE AS PER ECN 08-161	B
2.4.00	CHANGE AS PER ECN 00-009	A
DATE	DESCRIPTION	REV.

<b>KEYSTONE ELECTRONICS CORP.</b>			
ASTORIA, N.Y. 11105-2017			
PART NAME			
MINIATURE NON-INSULATED BANANA JACK			
MATERIAL			
AS NOTED			
FINISH		DRN BY	DATE
AS NOTED		BOONE	12.27.82
		APP'D	SCALE
		LN	2.5X
TOLERANCES	INCH [MM]	CODE	DWG NO.
DECIMAL	± .005 [± 0.15]	C	6090
ANGULAR	± 1°		
UNLESS OTHERWISE SPECIFIED			