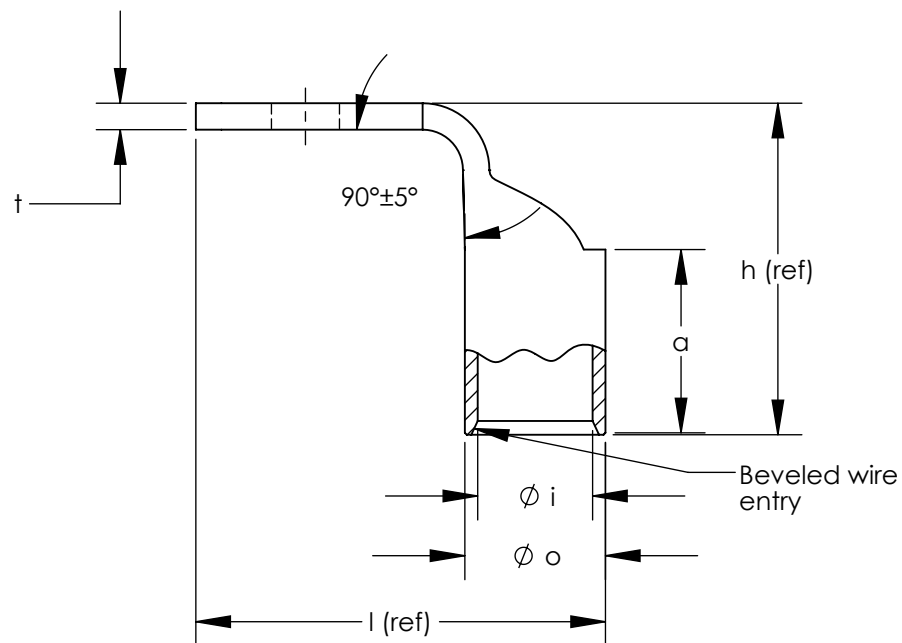
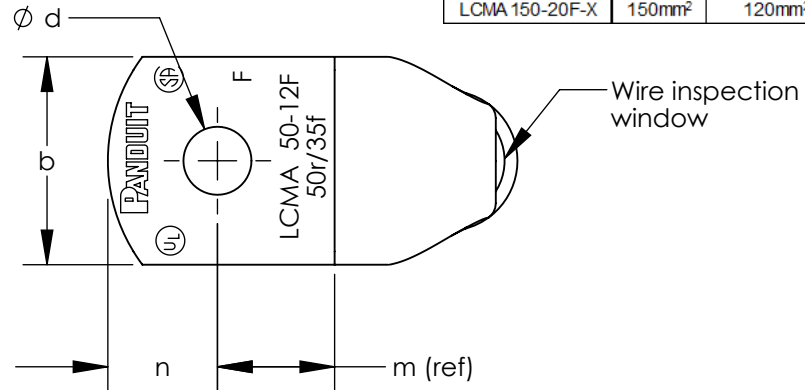


ALL DIMENSIONS ARE IN mm

Part Number	Class 2r Wire Size	Class 5f & 6f Wire Size	Stud Size	Wire Strip Length	Panduit Die Index No. For Class 2r Wire Circumferential Dies	Panduit Die Index No. For Class 5f & 6f Wire Circumferential Dies	Panduit Die Index No. For Class 5f & 6f Wire Nest/Indenter Dies	l (ref)	h (ref)	o ±.50	i ±.50	a ±2.25	m (ref)	n ±2.25	d ±.50	b ±2.25	t
LCMA35-6F-C	35mm <sup>2</sup>	25mm <sup>2</sup>	M6	19.0	P29	P29	P42/2	34.7	26.6	10.40	8.20	17.5	12.3	8.5	6.60	15.5	2.05 ± .40
LCMA35-8F-C	35mm <sup>2</sup>	25mm <sup>2</sup>	M8	19.0	P29	P29	P42/2	34.7	26.6	10.40	8.20	17.5	12.3	8.5	9.00	15.5	2.05 ± .40
LCMA35-10F-C	35mm <sup>2</sup>	25mm <sup>2</sup>	M10	19.0	P29	P29	P42/2	34.7	26.6	10.40	8.20	17.5	12.3	8.5	11.00	15.5	2.05 ± .40
LCMA35-12F-C	35mm <sup>2</sup>	25mm <sup>2</sup>	M12	19.0	P29	P29	P42/2	40.0	26.8	10.40	8.20	17.5	14.5	11.5	14.00	21.5	1.50 ± .40
LCMA50-6F-L	50mm <sup>2</sup>	35mm <sup>2</sup>	M6	21.8	P37	P33	P50/2	38.4	31.8	12.30	9.80	20.3	11.5	10.0	6.60	18.0	2.50 ± .40
LCMA50-8F-L	50mm <sup>2</sup>	35mm <sup>2</sup>	M8	21.8	P37	P33	P50/2	38.4	31.8	12.30	9.80	20.3	11.5	10.0	9.00	18.0	2.50 ± .40
LCMA50-10F-L	50mm <sup>2</sup>	35mm <sup>2</sup>	M10	21.8	P37	P33	P50/2	38.4	31.8	12.30	9.80	20.3	11.5	10.0	11.00	18.0	2.50 ± .40
LCMA50-12F-L	50mm <sup>2</sup>	35mm <sup>2</sup>	M12	21.8	P37	P33	P50/2	41.9	31.1	12.30	9.80	20.3	14.0	11.0	14.00	23.0	1.80 ± .40
LCMA70-6F-L	70mm <sup>2</sup>	50mm <sup>2</sup>	M6	24.8	P45	P37	P50/2	42.3	35.2	14.20	11.50	23.3	14.5	11.5	6.60	20.8	2.85 ± .40
LCMA70-8F-L	70mm <sup>2</sup>	50mm <sup>2</sup>	M8	24.8	P45	P37	P50/2	42.3	35.2	14.20	11.50	23.3	14.5	11.5	9.00	20.8	2.85 ± .40
LCMA70-10F-L	70mm <sup>2</sup>	50mm <sup>2</sup>	M10	24.8	P45	P37	P50/2	42.3	35.2	14.20	11.50	23.3	14.5	11.5	11.00	20.8	2.85 ± .40
LCMA70-12F-L	70mm <sup>2</sup>	50mm <sup>2</sup>	M12	24.8	P45	P37	P50/2	42.3	35.2	14.20	11.50	23.3	14.5	11.5	14.00	20.8	2.80 ± .40
LCMA95-8F-L	95mm <sup>2</sup>	70mm <sup>2</sup>	M8	26.0	P54	P45	P62/4	50.1	39.9	16.50	13.50	24.5	15.0	13.5	9.00	24.5	3.05 ± .40
LCMA95-10F-L	95mm <sup>2</sup>	70mm <sup>2</sup>	M10	26.0	P54	P45	P62/4	50.1	39.9	16.50	13.50	24.5	15.0	13.5	11.00	24.5	3.05 ± .40
LCMA95-12F-L	95mm <sup>2</sup>	70mm <sup>2</sup>	M12	26.0	P54	P45	P62/4	50.1	39.9	16.50	13.50	24.5	15.0	13.5	14.00	24.5	3.00 ± .40
LCMA95-16F-L	95mm <sup>2</sup>	70mm <sup>2</sup>	M16	26.0	P54	P45	P62/4	50.1	39.9	16.50	13.50	24.5	15.0	13.5	18.00	24.5	2.90 ± .40
LCMA120-8F-L	120mm <sup>2</sup>	95mm <sup>2</sup>	M8	26.0	P62	P50	P76/4	54.2	43.9	18.60	15.20	24.5	15.5	14.5	9.00	27.5	3.50 ± .45
LCMA120-10F-L	120mm <sup>2</sup>	95mm <sup>2</sup>	M10	26.0	P62	P50	P76/4	54.2	43.9	18.60	15.20	24.5	15.5	14.5	11.00	27.5	3.50 ± .45
LCMA120-12F-L	120mm <sup>2</sup>	95mm <sup>2</sup>	M12	26.0	P62	P50	P76/4	54.2	43.9	18.60	15.20	24.5	15.5	14.5	14.00	27.5	3.50 ± .45
LCMA120-16F-L	120mm <sup>2</sup>	95mm <sup>2</sup>	M16	26.0	P62	P50	P76/4	54.2	43.9	18.60	15.20	24.5	15.5	14.5	18.00	27.5	3.40 ± .45
LCMA150-8F-X	150mm <sup>2</sup>	120mm <sup>2</sup>	M8	29.0	P66	----	P76/4	60.5	47.6	21.00	16.50	27.5	18.0	16.5	9.00	30.5	4.45 ± .45
LCMA150-10F-X	150mm <sup>2</sup>	120mm <sup>2</sup>	M10	29.0	P66	----	P76/4	60.5	47.6	21.00	16.50	27.5	18.0	16.5	11.00	30.5	4.45 ± .45
LCMA150-12F-X	150mm <sup>2</sup>	120mm <sup>2</sup>	M12	29.0	P66	----	P76/4	60.5	47.6	21.00	16.50	27.5	18.0	16.5	14.00	30.5	4.45 ± .45
LCMA150-16F-X	150mm <sup>2</sup>	120mm <sup>2</sup>	M16	29.0	P66	----	P76/4	60.5	47.6	21.00	16.50	27.5	18.0	16.5	18.00	30.5	4.30 ± .45
LCMA150-20F-X	150mm <sup>2</sup>	120mm <sup>2</sup>	M20	29.0	P66	----	P76/4	64.5	47.1	21.00	16.50	27.5	22.0	16.5	22.00	30.5	4.30 ± .45



LISTED Wire Connector

CERTIFIED

- NOTES:
1. Material: High conductivity seamless copper tube.
  2. Plating: Parts are annealed and tin plated.
  3. Wire Type: Class 2r, 5f & 6f Stranded Copper per DIN VDE 0295, IEC 60228 and HD 383.
  4. UL Listed Wire Connector: Yes, for applications up to 35kv. Consult cable manufacturer for voltage stress relief instructions with applications greater than 2000 volts.
  5. UL Temperature Rating: 90° C
  6. C.S.A. Certified Wire Connector: Yes
  7. Parts are CE and tested per EN 61238-1:2003/IEC 61238-1:2003 Class B, with Class 2r wire 35mm<sup>2</sup> - 150mm<sup>2</sup>.

REV	DATE	BY	CHK	APR	DESCRIPTION	ECN
00	10/13	JHNU	TLCO	RGB	DRAWING RELEASED	

TITLE <b>METRIC LUGS - LCMA ONE HOLE SERIES 35-150mm<sup>2</sup> 90° BENT STANDARD BARREL CUSTOMER DRAWING</b>			
ITEM REVISION NAME 11J033BN/00		<b>PANDUIT</b>	
DATASET FILE NAME 11J033BN-JC/00.SLDDRW			
UNLESS OTHERWISE SPECIFIED, DIMENSIONAL TOLERANCES ARE: IN [mm]			
.X ±		.XXX ±	
.XX ±		ANGLES ±	
DRAWN BY JHNU		DATE 10/13	CHK TLCO
SCALE NONE		THIRD ANGLE PROJECTION	
SHEET 1 OF 1		DRAWING NUMBER 11J033BN-JC	
SIZE B			