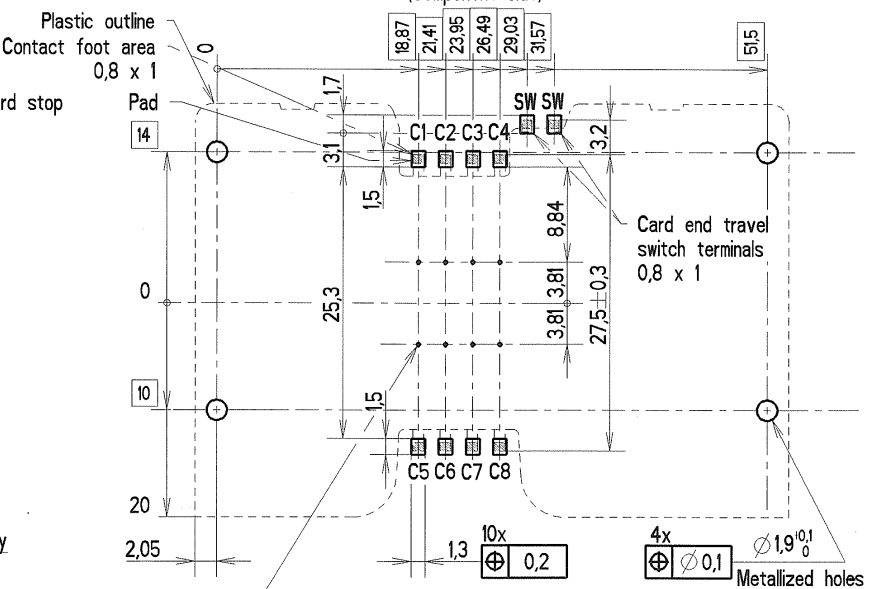
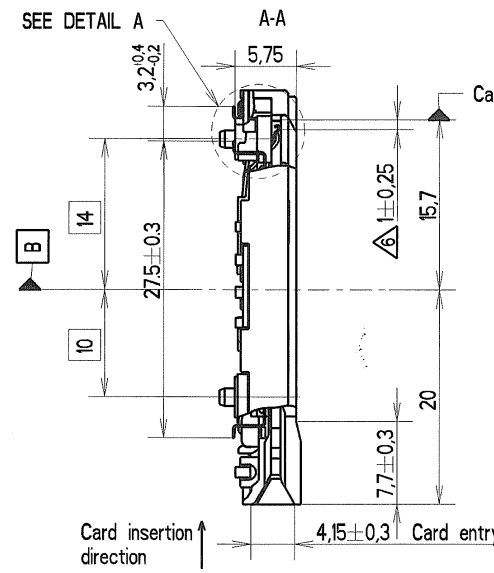
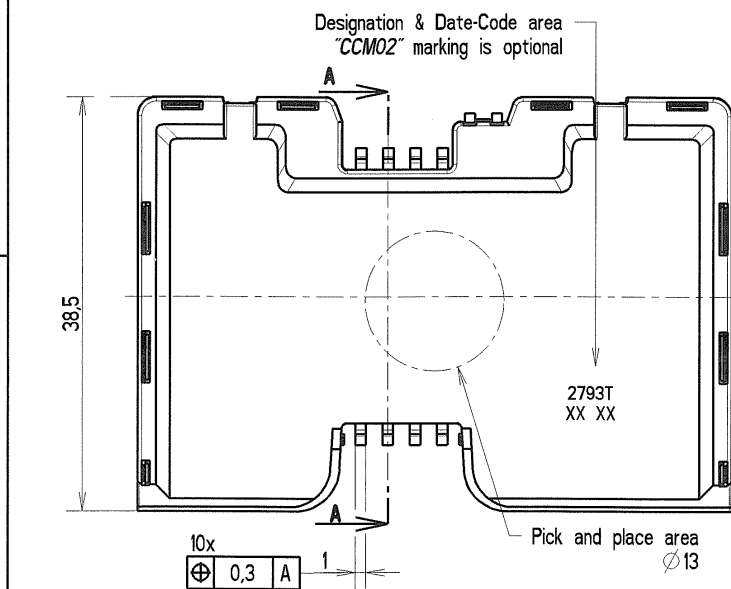
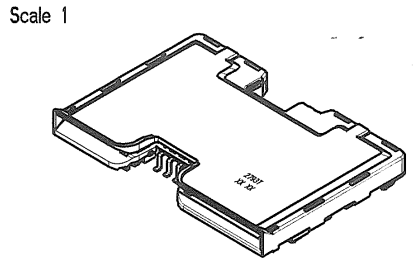
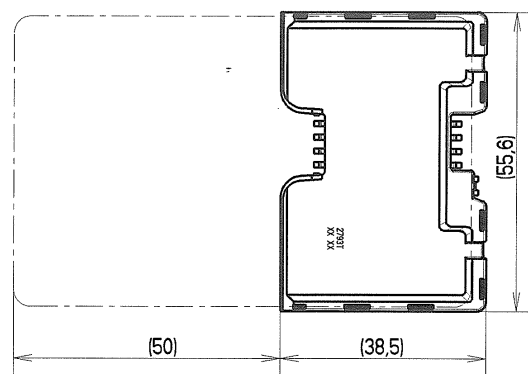
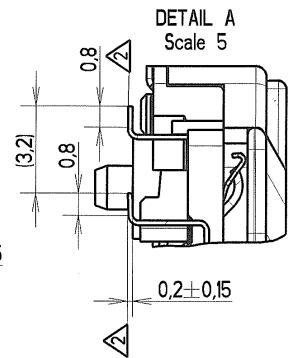
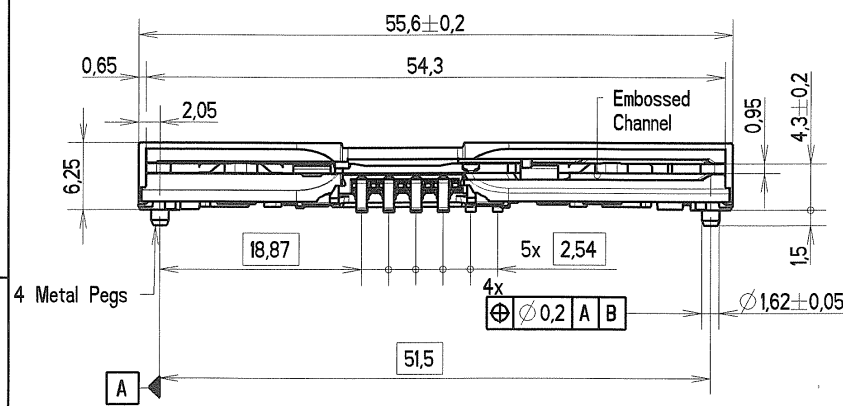


SYSTEM CONFIDENTIAL

REV.	N° DCR	NATURE DE LA MODIFICATION	DATE	VISA
B	ECR-1410	Marking deleted	14/12/2007	V.P



- Notes :
- 1 - Termination to PCB : SMT reflow soldering Temperature/time profile according to : C&K PS-LF-001 specification.
Since there are no boardlocks, the connector must be held in place on the PCB across the top face of the cover.
 - 2 - Level of each contact tail compared to the nearest plastic stand-off.
Coplanarity of metal soldering surfaces : 0,15 mm.
 - 3 - Recommendation for solder paste thickness > 0,2 mm.
 - 4 - 2,5 microns min tin plating on contact terminal areas and 0,1 microns min gold plating on switch terminal areas.
 - 5 - Contacts forces :
 - max 0,5 N per contact with max. card thickness.
 - min 0,2 N per contact with min. card thickness.

- 6 - Card end travel switch NO activatés when the sliding card is 1 mm from the card stop.
- 7 - For packaging on tray, see document : cu 030278Y0041.
- 8 - In case of customer accessories integration requesting an interface with CCM, please ask C&K for a 3D model.

MATIERE	TRAITEMENT		PROTECTION	
SAUF INDIQUE :	TOL. LINEAIRE	± 0,1	TOL. ANGULAIRE	± 2 °
-COTES DONNEES AVANT PROTECTION	ETAT DE SURFACE		DIMENSIONS CRITIQUES	
-BAVURES ET ARETES VIVES SUPPRIMEES	Ra		DIMENSIONS SPC	
DESSINE P.DAUBIGNIE	DATE 03-07-06	ANALYSE Y	TAB. FAM. Y	PROVE Y
VERIFIE G.PINON	DATE 25/03/2008	LANGAGE E		
APPROUVE L.KUBAT	DATE 25/03/2008	REPLACE		
 C&K Components	PROJECTION 1ER DIEDRE	DESIGNATION		
	 ECHELLE 2	CCM02-2793 LFT 2x4 contacts SMT + switch NO 4 metal pegs		
BP 359 - 39105 Dole - FRANCE	TAILLE A3	FEUILLE 1 / 1	NUMERO CU	REV B
			030288Y2793	

CE PLAN EST LA PROPRIETE DE C&K - COMPONENTS SAS ET NE PEUT ETRE REPRODUIT OU COMMUNIQUE SANS SON AUTORISATION