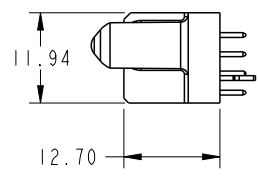
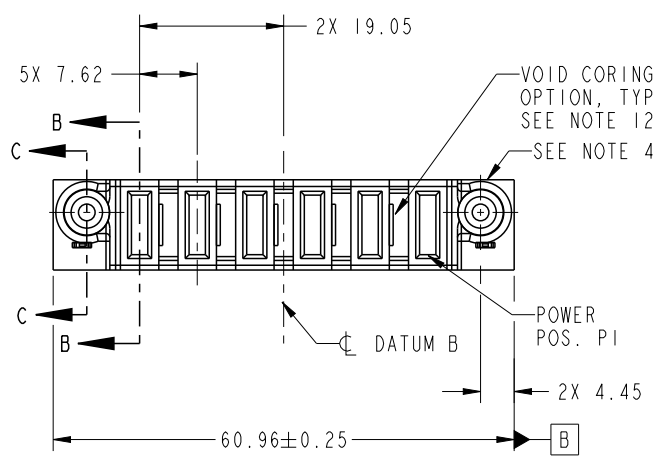




Copyright FCI.

PRODUCT NO. 51940-451-- NOTE: 3	POWER							E1
	E2	P6	P5	P4	P3	P2	P1	



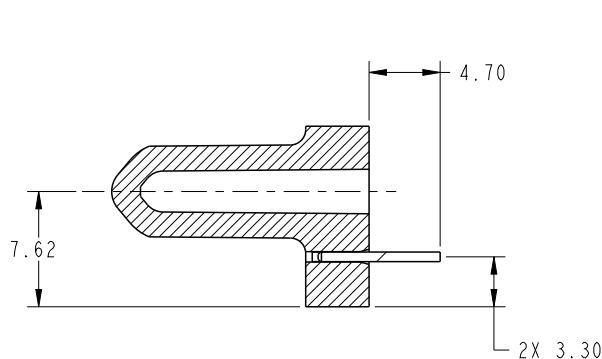
CODE	DIM "M" MATING LENGTH	CONTACT TYPE
PA	[1.07]	POWER
HA	[N/A]	HOLD-DOWN

spec ref	*	dr	Ruan MT	2012/07/31	projection 	MM ←→	size	A4	scale	1:1										
tolerance std	TOLERANCES UNLESS OTHERWISE SPECIFIED	eng	Luo Weller	2012/09/27			ecn no	-												
SEE NOTE		chr	-	-			rel level	Released												
surface	<table border="1"> <tr> <td>linear</td> <td>0.X</td> <td>±0.5</td> </tr> <tr> <td></td> <td>0.XX</td> <td>±0.25</td> </tr> <tr> <td></td> <td>0.XXX</td> <td>±0.1</td> </tr> <tr> <td>angular</td> <td>0°</td> <td>±2°</td> </tr> </table>	linear	0.X	±0.5		0.XX	±0.25		0.XXX	±0.1	angular	0°	±2°	appr	Pei-Ming Zheng	2012/09/27	product family	PwrBlade	rev	A
linear	0.X	±0.5																		
	0.XX	±0.25																		
	0.XXX	±0.1																		
angular	0°	±2°																		
				title	6ACP VERTICAL SOLDER RECEPT		dwg no	51940-451												
		www.fci.com		cat. no.	*	Product - Customer Drw	sheet 1 of 4													

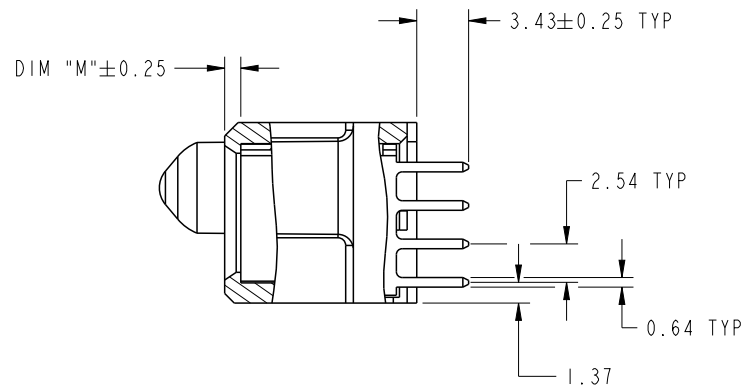
PrdrE File - REV C - 2009-06-09

PRODUCT NUMBER

51940-451__
NOTE: 3



SECTION C-C
SCALE 2:1



SECTION B-B
SCALE 2:1

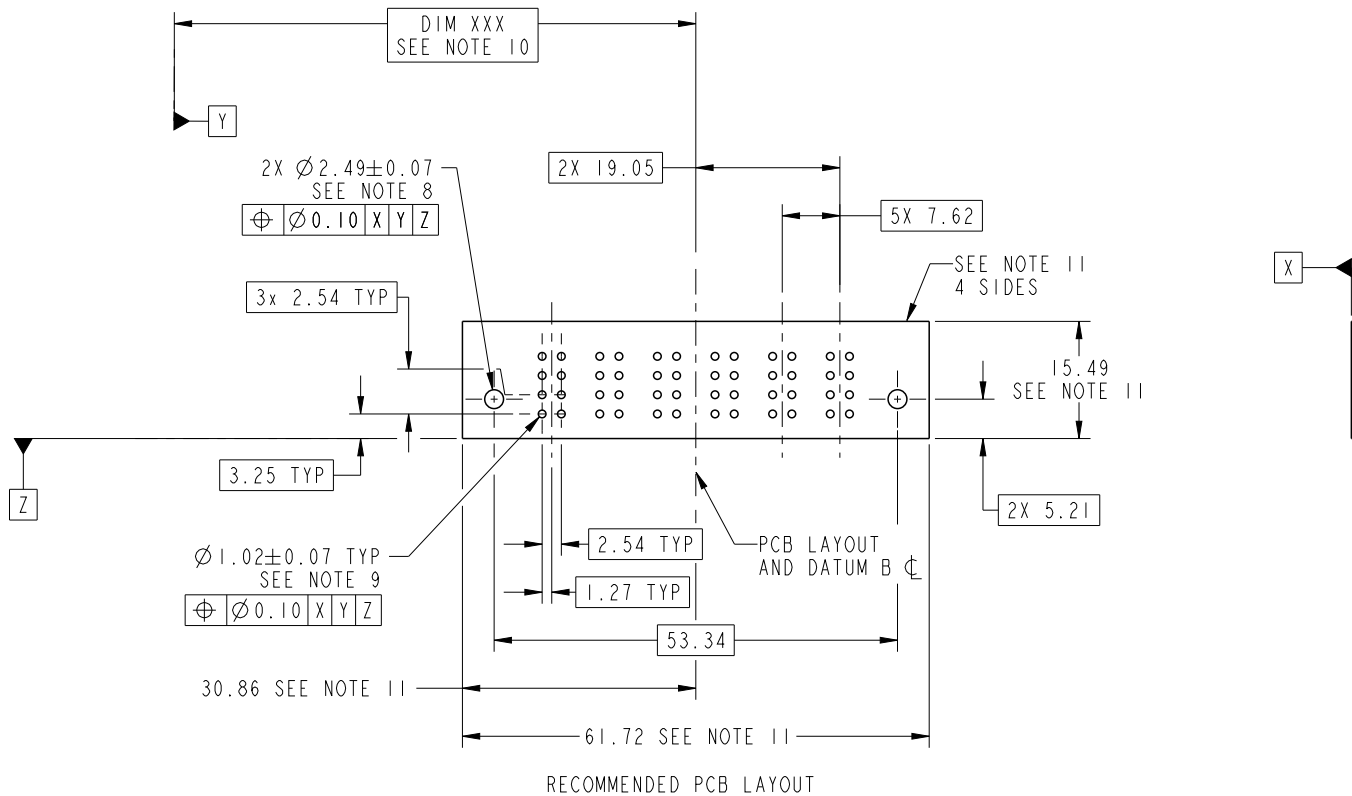


Copyright FCI.

dr	Ruan MT	2012/07/31	projection 	MM 	size	A4	scale	1:1
eng	Luo Weller	2012/09/27			ecn no	-		
chr	-	-			rel level	Released		
appr	Pei-Ming Zheng	2012/09/27	product family	PwrBlade				
	title	6ACP VERTICAL SOLDER RECEPT		dwg no	51940-451		rev	A
www.fci.com	cat. no.	*	Product - Customer Drw		sheet 2 of 4			

PRODUCT NUMBER

51940-451--
NOTE: 3



dr	Ruan MT	2012/07/31	projection 	MM 	size	A4	scale	1:1
eng	Luo Weller	2012/09/27			ecn no	-		
chr	-	-			rel level	Released		
appr	Pei-Ming Zheng	2012/09/27	product family	PwrBlade	rev	A		
	title	6ACP VERTICAL SOLDER RECEPT		dwg no	51940-451			
www.fci.com	cat. no.	*	Product - Customer Drw		sheet 3 of 4			

PRODUCT NUMBER

51940-451--
NOTE: 3

NOTES:

1. DIMENSIONS AND TOLERANCES ARE IN ACCORDANCE WITH ASME Y14.5M, 1994 UNLESS OTHERWISE SPECIFIED.

CONNECTOR NOTES:

- ② HOUSING MATERIAL: UL 94 V-0 GLASS FILLED HIGH-TEMP THERMOPLASTIC
POWER CONTACT MATERIAL: COPPER ALLOY
SIGNAL PIN MATERIAL: COPPER ALLOY
- 3. SEE ITEM 5 & 6 IN PRINT 10064183 FOR PLATING SPEC OF 51940-451 AND 51940-451LF RESPECTIVELY.
- ④ MANUFACTURER'S NAME, DATE CODE AND OPTIONAL P/N TO APPEAR ON THIS SURFACE. THE MARK CAN BE OMITTED IF THERE IS NOT ENOUGH SPACE ON THIS SURFACE.
- 5. PRODUCT SPECIFICATION GS-12-149.
APPLICATION SPECIFICATION BUS-20-067.
- 6. PACKAGED IN TRAYS.
- PCB NOTES:
- 7. ALL HOLE DIAMETERS ARE FINISHED HOLE SIZE.
- ⑧ MOUNTING HOLES, WHERE APPLICABLE, ARE UNPLATED.
- ⑨ $\varnothing 1.151 \pm 0.025$ DRILLED HOLES PLATED WITH
0.008 MIN SnPb OR Sn OVER 0.03
TO 0.08 Cu PLATING TO ACHIEVE
 $\varnothing 1.02 \pm 0.07$ HOLE.
- ⑩ "DIM XXX" TO BE DETERMINED BY THE CUSTOMER.
- ⑪ CONNECTOR KEEP-OUT ZONE.
- 12. THE VOID CORING IN BETWEEN POWER MODULES, SIGNAL MODULES AND END MODULES ARE OPTIONAL AND THE SHAPE MAY BE DIFFERENT FOR OPTIMIZE THE MOLDING PROCESS. THE VOID CORING WILL NOT EFFECT TO PRODUCT FUNCTION.

dr	Ruan MT	2012/07/31	projection 	MM 	size	A4	scale	1:1		
eng	Luo Weller	2012/09/27			ecn no	-				
chr	-	-			product family	PwrBlade	rel level	Released		
appr	Pei-Ming Zheng	2012/09/27			title	6ACP	dwg no	51940-451	rev	A
www.fci.com		cat. no.	*	Product - Customer Drw			sheet 4 of 4			