

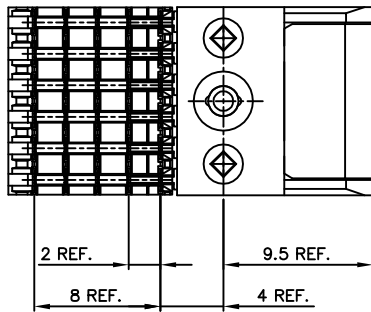
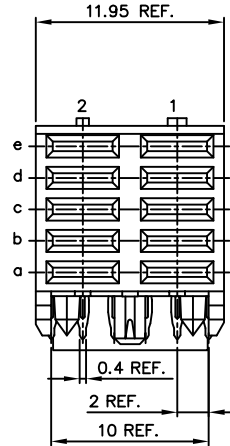
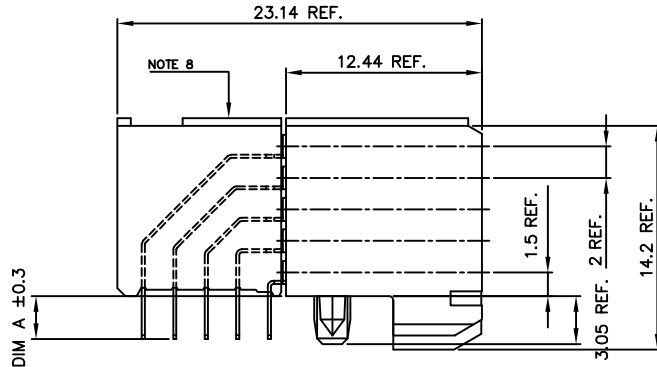
Tous droits strictement réservés. Reproduction ou communication a des tiers interdite sous quelque forme que ce soit sans autorisation écrite du propriétaire. Propriété de c FCI. Droits de reproduction FCI.



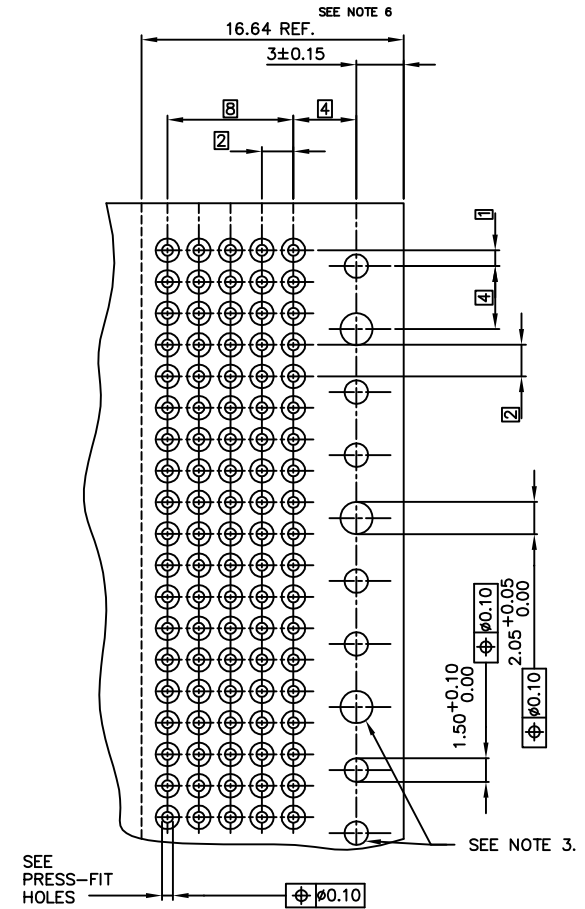
All rights strictly reserved. Reproduction or issue to third parties in any form whatever is not permitted without written authority from the proprietor. Property of FCI. Copyright FCI.

PC BOARD VERSIONS		
PRODUCT NR	PCB THICKNESS	DIM A
63791-X02	1.6	2.73
63791-X12	2.4 OR 3.2	3.53
63791-X02LF	1.6	2.73
63791-X12LF	2.4 OR 3.2	3.53

PRESS-FIT HOLES	
HOLE DIAMETER	
AFTER PLATING	0.65-0.80
DRILLED HOLE	0.81-0.86
COPPER PLATING	0.025 MIN.
SnPb PLATING	0.005-0.015



- NOTES:
- BODY MAT'L: LIQUID CRYSTAL POLYMER 30% GLASS  
FLAME RETARDANT ACC. UL 94-V0
  - TERMINAL MATERIAL: PHOSPHOR BRONZE.
  - INDICATED HOLES ARE UNPLATED.
  - PLATING OF COMPLIANT SECTIONS 0.5-1.5 μm SnPb 85-97  
OR 0.5-1.5 μm PURE Sn FOR LF.
  - PRODUCT MARKING: PART NUMBER & BATCH ID.
  - SET BACK FOR PRESS BLOCK
  - SEE TA-941 FOR -XY2/XY2LF APPLICATION TOOLING
  - TOP SURFACE OF PRESS BLOCK MAY EXTEND UP TO 0.4MM HIGHER THAN HOUSING. THIS MAY AFFECT THE TAIL LENGTH BEFORE APPLICATION TO A BOARD.
  - THIS PRODUCT WITH "LF" SUFFIX MEETS EUROPEAN UNION DIRECTIVES AND OTHER COUNTRY REGULATIONS AS DESCRIBED IN GS -22-008.
  - THE PRODUCT IS NOT INTENDED TO BE EXPOSED TO A MANUFACTURE AND SOLDER PROCESS.



RECOMMENDED HOLE PATTERN, COMPONENT SIDE.

PRODUCT NR	PLATING CONTACT AREA	UNDERPLATING
63791-1Y2/1Y2LF	0.8 um GOLD	1.3 um Ni min.
63791-2Y2/2Y2LF	2.0 um GOLD	1.3 um Ni min.
63791-3Y2/3Y2LF	1.3 um GOLD	1.3 um Ni min.
63791-9Y2/9Y2LF	0.8 um GXT	1.3 um Ni min.

mat'l. code				tolerances unless otherwise specified		CUSTOMER COPY		FCI Electronics	
-				.X±.3		projection		www.fciconnect.com	
ltr	ecn no	dr	date	linear	.XX±.13			title	
A	V11875	JWS	07/16/01	angles	.XXX±.051			5R RECEPTACLE POWER	
B	DC05-0342	CLU	092005	dr	0° ±2'			RA PF THICKCARD 12MM ASS'Y	
C	DC08-0171	Cenh	10/08/08	enrg	J. SHAFFER 5/31/00	product family		METRAL (tm) code	
				chr	S. MINICH 5/31/00	size		dwg no	
				appd	S. MINICH 5/31/00	scale		A 63791	
sheet index	revision sheet	C	1			1:1		213	
								sheet 1 of 1	

cage code 22526