

Master Assembly BOM

Customer Print #
Part Number:
MA Number:
Rev #:
Setup Date:

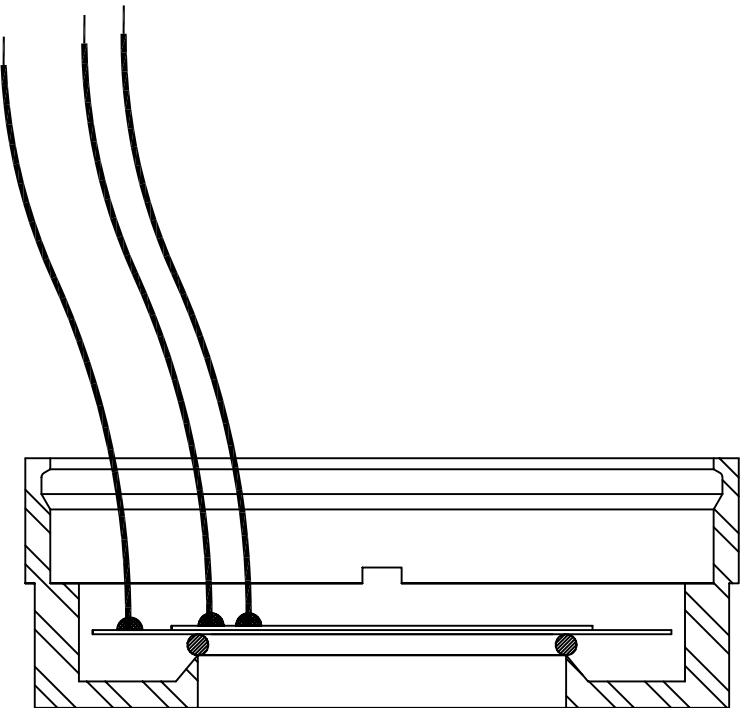
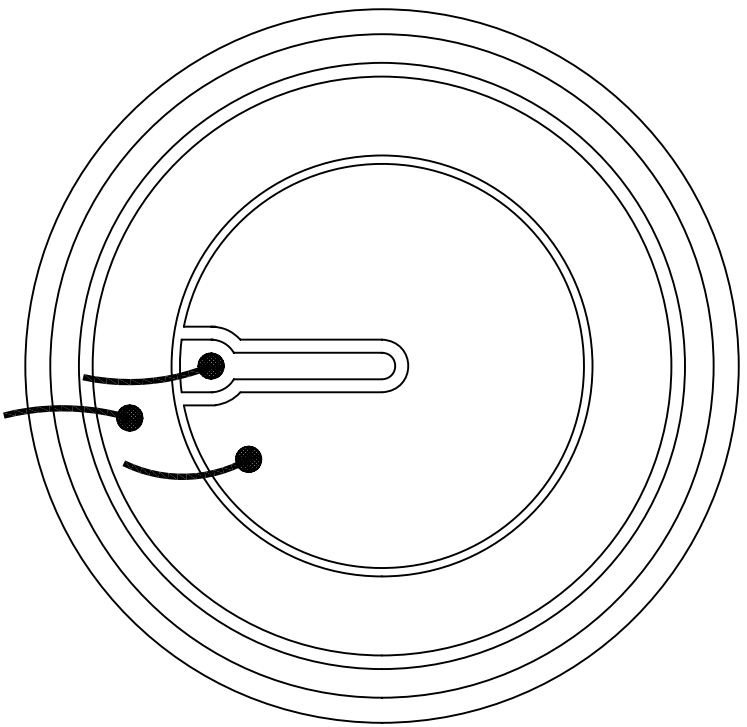
Any Customer
SBM616JR
22-07573-00R
0
4/4/2007

Build Level	Description	Qty	Lookup Table Item	Component Part #
Transducer Housing				22-06212-01R
	Housing	1		22-05158-01
	Transducer	1		22-05031-01
	Transducer Wires	3	YES	WRA1-02
	Primer	1		79286
	Primer	1		80086
	Silicon	1		79284
	Flux	1		79307
	Solder Wire	1		SOL2-01
Board Assembly #1				
	Board	1		PCB30-22
	R1	1		RES4-06
	R2	1		RES4-12
	R3	1		RES4-13
	C1	1		22-05306-02
	U1	1		ICC9-01
	Pin Terminal	3		22-05163-05
Miscellaneous				
	Label	1		22-05076-01
	Cover	1		22-05159-01

Label Info	SBM616JR
	Code Date

QA Notes:	Test Voltage (VDC)	6	9	12	16
	SPL Min. @ 2 ft (dB(A))	68	72	75	78
	Current Max. (mA)	3	6	8	12
	Pulse Rate (pps)	Min.	2	Max.	10
	Duty Cycle (%)	50 (approx)			
	Frequency Range (Hz)	2400	to		3400

Assembly Notes:	None
-----------------	------



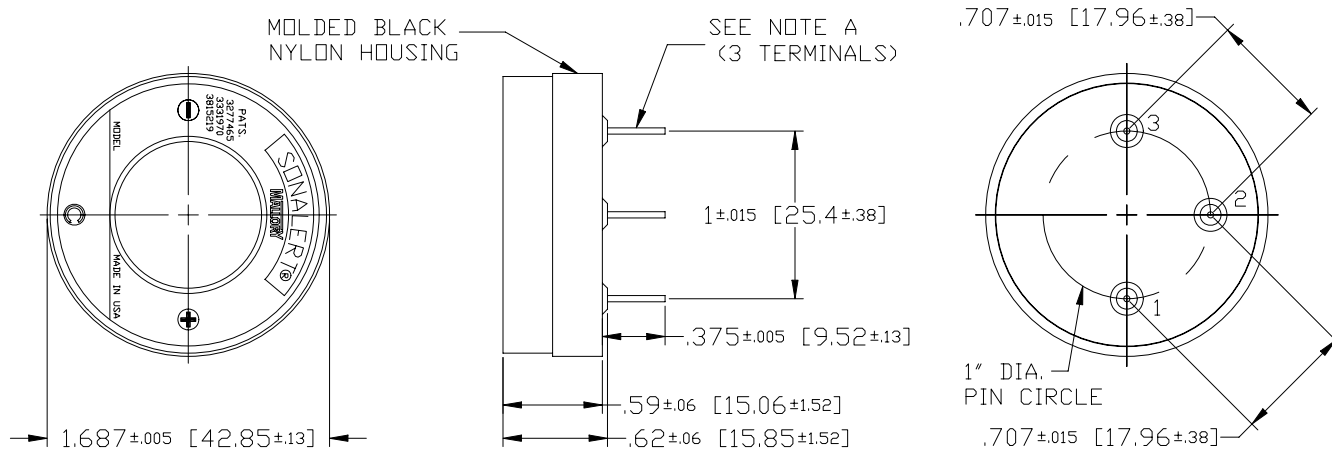
Title:	Transducer Housing
Part #	SBM616JR
MA#	22-07573-00R
Rev#	0
Release Date	4/04/2007

Specifications:

Sound level Category	Medium Sound Level
Mode of Operation	Slow Pulse
Mounting	Printed Circuit Board (see note B)
Voltage Rating	6 - 16 Vdc
Frequency	2900 Hz ±500 Hz
Loudness (Min. Voltage)	68 dB(A) min. @ 2 FT and 6 Vdc
Loudness (Max Voltage)	78 dB(A) min. @ 2FT and 16 Vdc
Current Draw	3 mA Max @ 6 Vdc
Current Draw	12 mA Max @ 16 Vdc
Min Pulse Rate (PPS)	0.5 @ 6 Vdc
Max Pulse Rate (PPS)	2.5 @ 16 Vdc
Duty Cycle (%)	50 (Approx)
Storage Temperature	-40°C to +85°C
Operating Temperature	-30°C to +65°C
Weight (Typical)	0.6 oz (17 g)
Housing	6/6 Nylon, Color Black
Options	For other options contact factory

Dimensions: Inches (mm)

ROHS Compliant



NOTE A:
 TERMINALS - .031" DIA. TIN PLATED NICKEL. TERMINAL 1 IS POSITIVE, TERMINAL 3 IS NEGATIVE. TERMINAL 2 IS FOR SUPPORT ONLY - NO ELECTRICAL CONNECTION.

NOTE B:
 MOUNTING - INSERT INTO PRINTED CIRCUIT BOARD AND HAND OR MACHINE SOLDER.