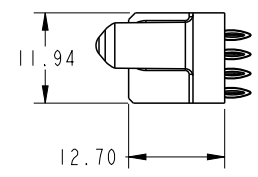
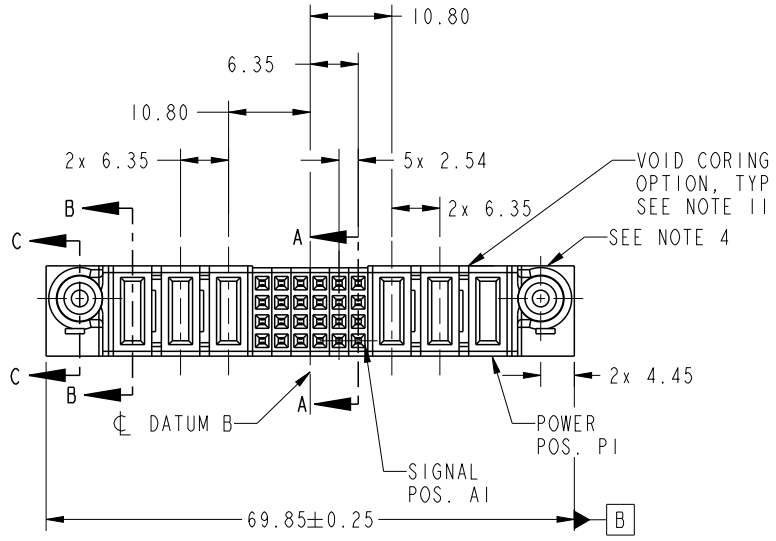


PRODUCT NO.	ROWS	POWER			SIGNAL							POWER									
		E2	P6	P5	P4	6	5	4	3	2	1	P3	P2	P1	E1						
51750-136-- NOTE: 3	D C B A		PF	PF	PF	F	F	F	F	F	F	F	F	F	F	F	F	PC	PC	PC	



CODE	DIM "M" MATING LENGTH	CONTACT TYPE
PF	[2.34]	POWER
PC	[1.07]	POWER
F	[N/A]	SIGNAL

spec ref	*	dr	Luo Weller	2013/10/24	projection	MM	size	A4	scale	1:1
tolerance std	TOLERANCES UNLESS OTHERWISE SPECIFIED	eng	Luo Weller	2013/10/31			ecn no	-	rel level	Released
SEE NOTE		chr	-	-						
surface		linear	appr	Pei-Ming Zheng	2013/10/31	product family	PwrBlade	rev	A	
	angular	0°	±2°	www.fci.com	cat. no.	*	Product - Customer Drw	sheet 1 of 4		
					title	3P+24S+3P	dwg no	51750-136		
						VERTICAL PRESS-FIT RECEPT				

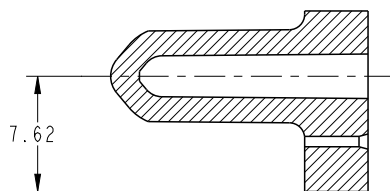
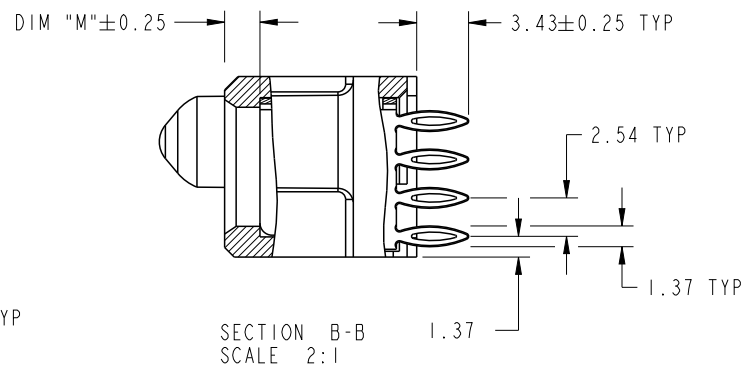
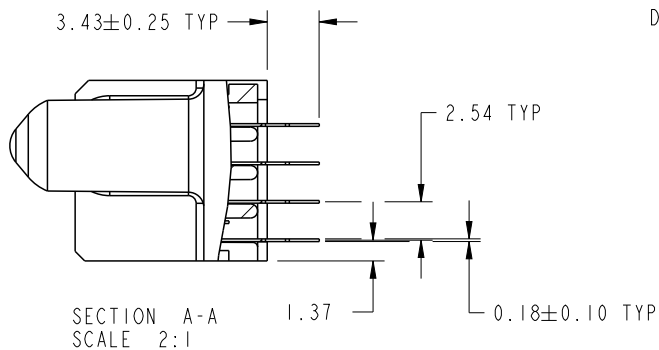


Copyright FCI.

PrdE File - REV C - 2009-06-09

PRODUCT NUMBER

51750-136__
NOTE: 3



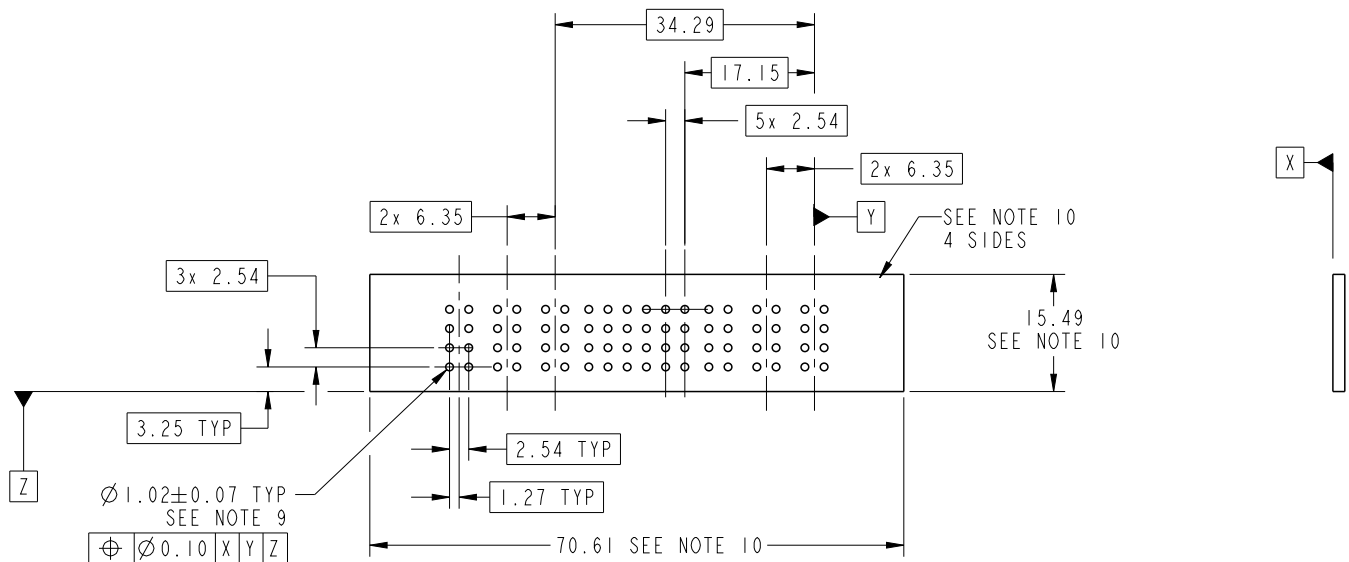
dr	Luo Weller	2013/10/24	projection 	MM 	size	A4	scale	1:1
eng	Luo Weller	2013/10/31			ecn no	-		
chr	-	-			rel level	Released		
appr	Pei-Ming Zheng	2013/10/31	product family	PwrBlade	rev	A		
	title	3P+24S+3P VERTICAL PRESS-FIT RECEPT		dwg no	51750-136			
www.fci.com	cat. no.	*	Product - Customer Drw		sheet 2 of 4			



Copyright FCI.

PRODUCT NUMBER

51750-136__
NOTE: 3



RECOMMENDED PCB LAYOUT

dr	Luo Weller	2013/10/24	projection 	MM 	size	A4	scale	1:1
eng	Luo Weller	2013/10/31			ecn no	-		
chr	-	-			rel level	Released		
appr	Pei-Ming Zheng	2013/10/31	product family	PwrBlade				
	title	3P+24S+3P		dwg no	51750-136		rev	A
www.fci.com	cat. no.	*	Product - Customer Drw		sheet 3 of 4			

PRODUCT NUMBER

51750-136__
NOTE: 3

NOTES:

1. DIMENSIONS AND TOLERANCES ARE IN ACCORDANCE WITH ASME Y14.5M, 1994 UNLESS OTHERWISE SPECIFIED.

CONNECTOR NOTES:

2 HOUSING MATERIAL: UL 94 V-0 GLASS FILLED HIGH-TEMP THERMOPLASTIC
POWER CONTACT MATERIAL: COPPER ALLOY
SIGNAL PIN MATERIAL: COPPER ALLOY

3. SEE ITEM 7 & 8 IN PRINT 10064183 FOR PLATING SPEC OF 51750-136 AND 51750-136LF RESPECTIVELY.

4 MANUFACTURER'S NAME, DATE CODE AND OPTIONAL P/N TO APPEAR ON THIS SURFACE. THE MARK CAN BE OMITTED IF THERE IS NOT ENOUGH SPACE ON THIS SURFACE.

5. PRODUCT SPECIFICATION GS-12-149.
APPLICATION SPECIFICATION BUS-20-067.

6. PACKAGED IN TRAYS.

PCB NOTES:

7. ALL HOLE DIAMETERS ARE FINISHED HOLE SIZE.

8 MOUNTING HOLES, WHERE APPLICABLE, ARE UNPLATED.

9 $\varnothing 1.151 \pm 0.025$ DRILLED HOLES PLATED WITH
0.008 MIN SnPb OR Sn OVER 0.03
TO 0.08 Cu PLATING TO ACHIEVE
 $\varnothing 1.02 \pm 0.07$ HOLE.

10 CONNECTOR KEEP-OUT ZONE.

11. THE VOID CORING IN BETWEEN POWER MODULES, SIGNAL MODULES AND END MODULES ARE OPTIONAL AND THE SHAPE MAY BE DIFFERENT FOR OPTIMIZE THE MOLDING PROCESS. THE VOID CORING WILL NOT EFFECT TO PRODUCT FUNCTION.



C

Copyright FCI.

D

dr	Luo Weller	2013/10/24	projection 	MM 	size	A4	scale	1:1	
eng	Luo Weller	2013/10/31			ecn no	-			
chr	-	-			product family	PwrBlade	rel level	Released	
appr	Pei-Ming Zheng	2013/10/31			title	3P+24S+3P		rev	A
www.fci.com		cat. no.	*	Product - Customer Drw	dwg no	51750-136		sheet 4 of 4	