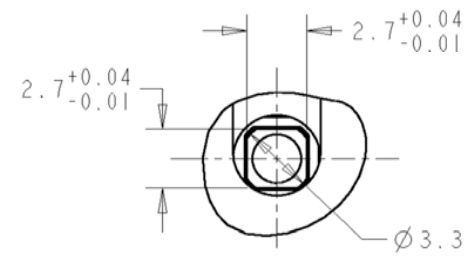
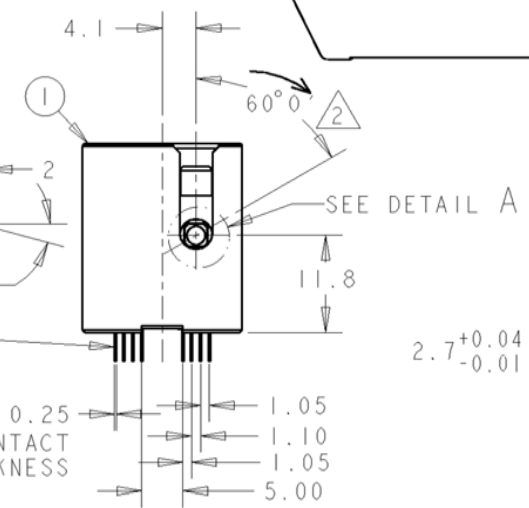
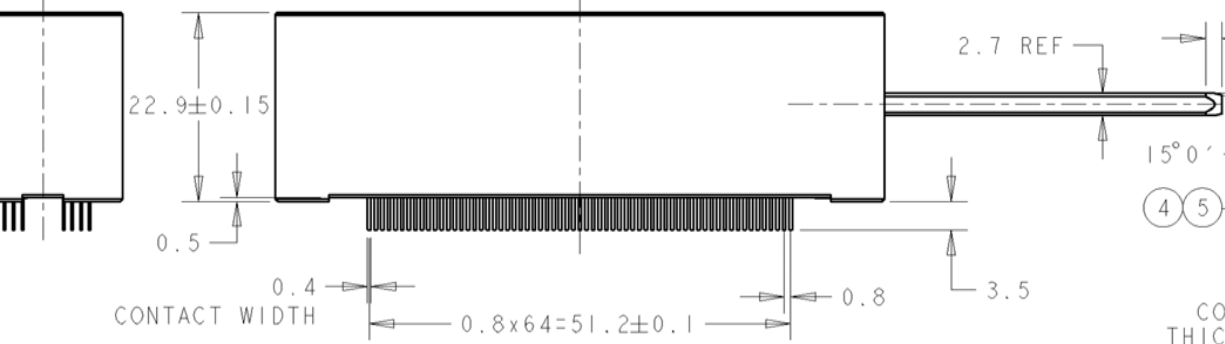
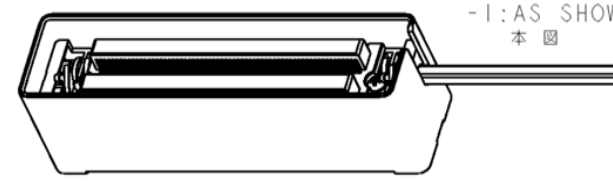
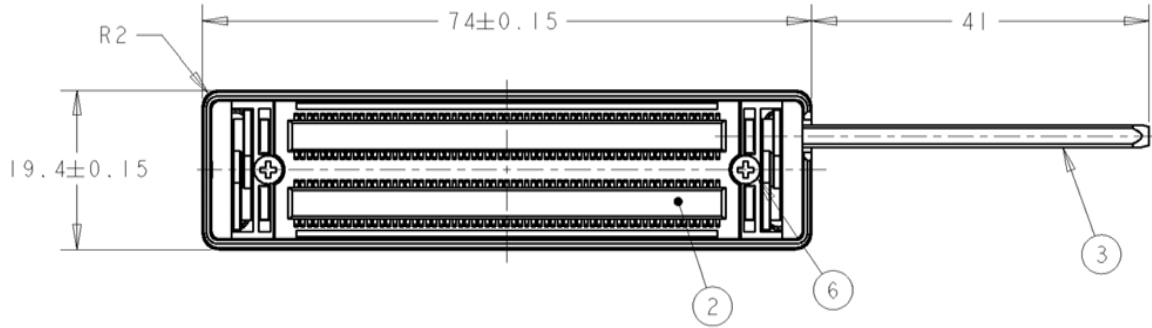
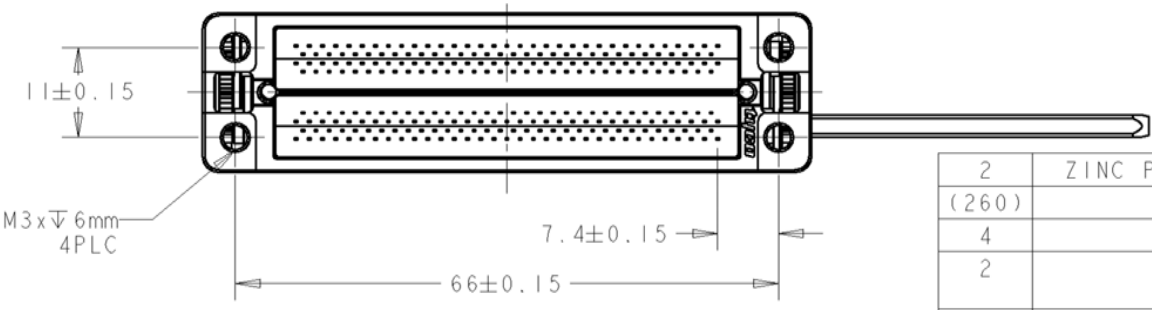


LOC	DIST	REVISIONS			
P	LTR	DESCRIPTION	DATE	DWN	Y
	0	RELEASED(FJ00-1419-02)	08AUG2002	M. K	Y
	A	REVISED(FJ00-2628-02)	16DEC2002	M. K	Y
	B	REVISED(FJ00-0429-04)	17NOV2004	M. K	M
	C	REVISED	28MAR2006	T. K	M



DETAIL A
SCALE 4:1

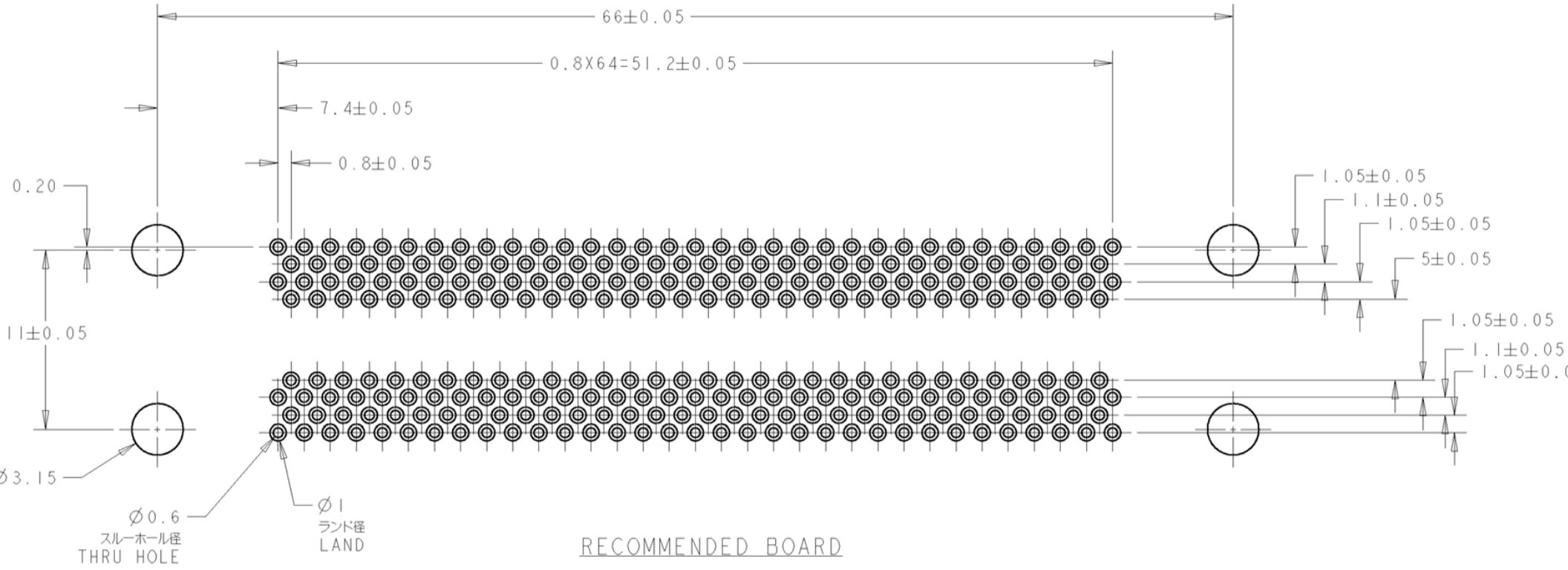


QTY	FINISH	MATERIAL	NAME	ITEM
2	ZINC PLATING	STAINLESS STEEL	SCOTCH-GRIP 2510	M2 SCREW
(260)			COPPER ALLOY	CONTACT
4	-		LCP	INSERT MOLD, CONTACT
2	-	SUS 304 AND PLASTIC		ACTUATOR ASSY
1	-	LCP		COVER HOUSING, REC
1	Ni PLT. 2.5~5μm	ZINC DIECAST		BASE HOUSING, REC

- ① MATING AREA: 1μm MIN GOLD PLATING OVER 2.5μm MIN NICKEL
 SOLDERING AREA: 1~3μm Tin-Lead PLATING OVER 2.5μm MIN NICKEL
 OTHERS: 2.5μm MIN NICKEL
- ② BY ROTATING 60±5 DEGREES OF SHAFT CLOCKWISE, CONNECTOR IS MATED WITH HDR.
 CONTACT ENGAGEMENT : 15±5DEG.

<small>THIS DRAWING IS A CONTROLLED DOCUMENT FOR TYCO ELECTRONICS CORPORATION. IT IS SUBJECT TO CHANGE AND THE CONTROLLING ENGINEERING ORGANIZATION SHOULD BE CONTACTED FOR THE LATEST REVISION.</small>		DWN 08AUG2002 M. Kimura CHK 08AUG2002 Y. KASHIWA APVD 08AUG2002 Y. KASHIWA	tyco Electronics Tyco Electronics AMP K.K. Kawasaki, Japan
DIMENSIONS: mm	TOLERANCES UNLESS OTHERWISE SPECIFIED: 0 PLC ±0.3 1 PLC ±0.25 2 PLC ±0.2 3 PLC ± 4 PLC ± ANGLES ±3	PRODUCT SPEC 108-5771 APPLICATION SPEC	NAME REC ASSEMBLY TC-ZIF CONNECTOR 0.8mm PITCH 260P
MATERIAL SEE TABLE	FINISH SEE TABLE	WEIGHT 85g	SIZE A3 CAGE CODE 00779 DRAWING NO C=1565204
CUSTOMER DRAWING		SCALE 3:2	SHEET 1 OF 2

LOC	DIST	REVISIONS			
P	LTR	DESCRIPTION	DATE	DWN	
	-	SEE SHEET 1	-	-	



<small>THIS DRAWING IS A CONTROLLED DOCUMENT FOR TYCO ELECTRONICS CORPORATION IT IS SUBJECT TO CHANGE AND THE CONTROLLING ENGINEERING ORGANIZATION SHOULD BE CONTACTED FOR THE LATEST REVISION.</small>		DWN M. Kimura	08AUG2002	Tyco Electronics AMP K.K. Kawasaki, Japan	
DIMENSIONS: mm 		CHR		NAME REC ASSEMBLY TC-ZIF CONECTOR 0.8mm PITCH 260P	
TOLERANCES UNLESS OTHERWISE SPECIFIED: 0 PLC ±0.2 1 PLC ±0.15 2 PLC ±0.1 3 PLC ± 4 PLC ± ANGLES ±3		APVD		RESTRICTED	
MATERIAL		PRODUCT SPEC	108-5771	SIZE	A3
FINISH		APPLICATION SPEC		CAGE CODE	00779
		WEIGHT	-	DRAWING NO	C=1565204
		CUSTOMER DRAWING		SCALE	1:1
				SHEET	2 OF 2
				REV	