

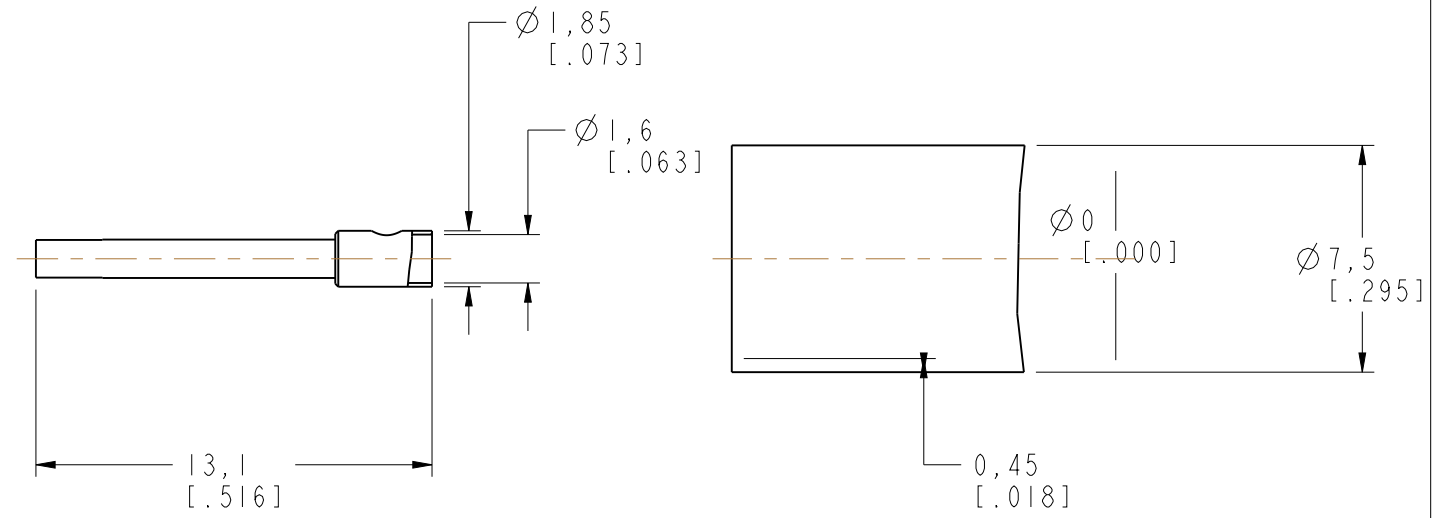
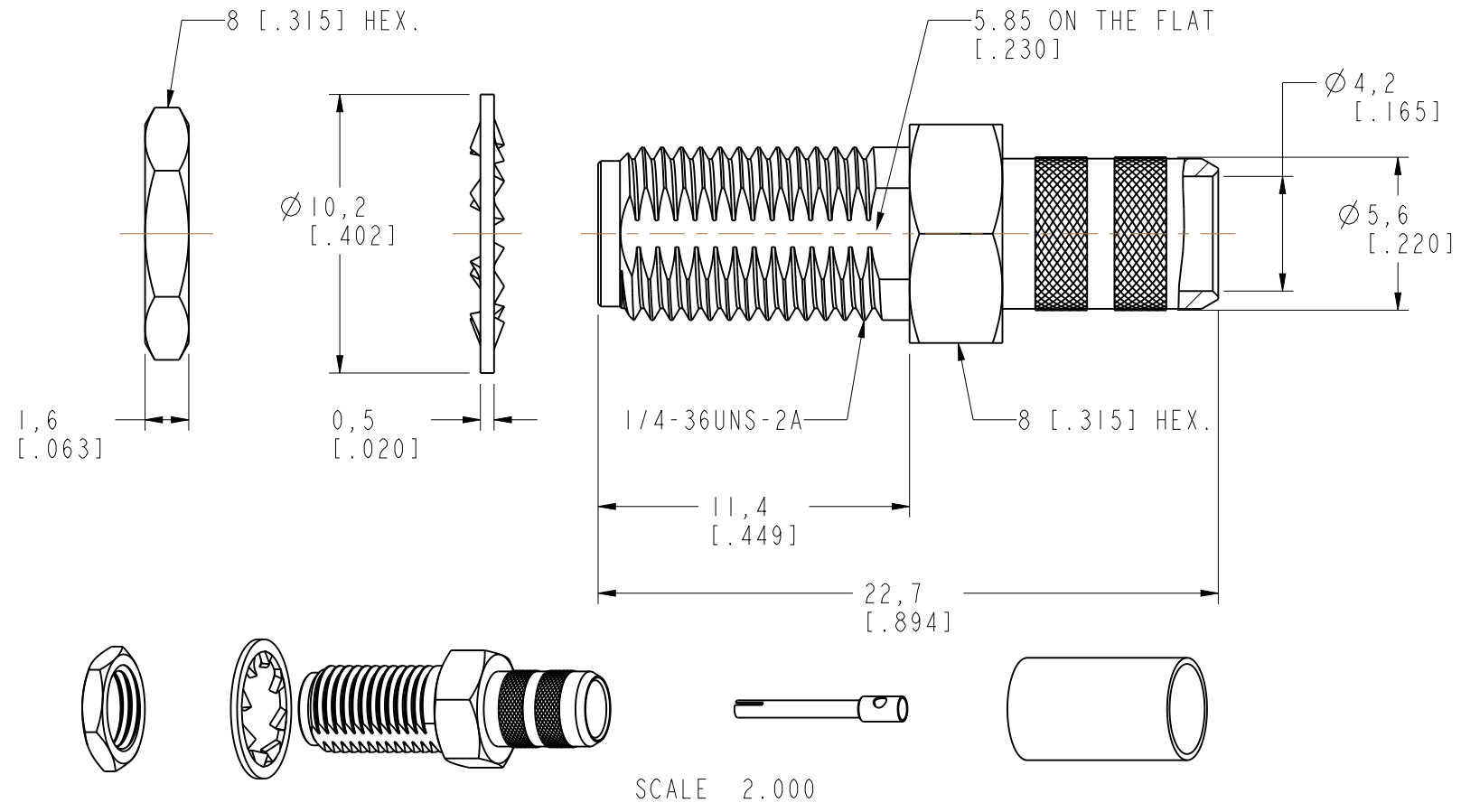
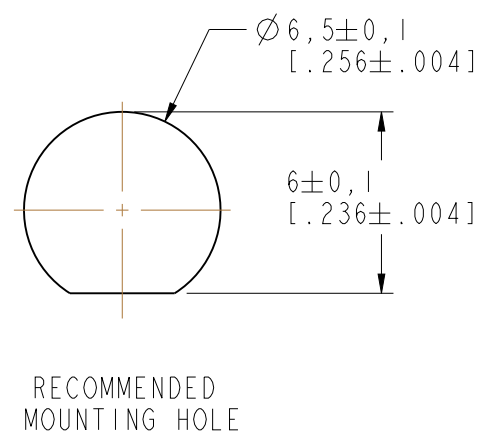
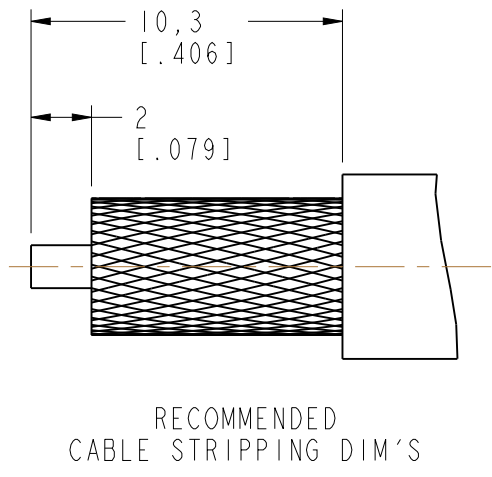
NOTES:

1. MATERIALS AND FINISHES:  
 BODY - BRASS, GOLD PLATING  
 CONTACT - BERYLLIUM COPPER, GOLD PLATING  
 INSULATOR - PTFE, NATURAL
2. ELECTRICAL:  
 A. IMPEDANCE: 50 OHM  
 B. FREQUENCY RANGE: 0-12.4 GHZ  
 C. DIELECTRIC WITHSTANDING VOLTAGE: 1000 VRMS, MIN.
3. MECHANICAL:  
 A. DURABILITY: 500 CYCLES MIN.  
 B. TEMPERATURE RANGE: -65°C to +165°C
4. CRIMPED FERRULE  
 HEX CRIMP SIZE .255"
5. CONTACT PIN TO SOLDER
6. MAX. PANEL THICKNESS = 3.2 MM

THIRD ANGLE PROJ.

REVISIONS

REV	DESCRIPTION	DATE	ECO	APPR
A	INITIAL RELEASE	27-Aug-98	-----	GRS
A	UPDATE DRAWING FORMAT	01-May-04	-----	GRS
B	REMOVE "LMR-240" FROM THE TITLE BLOCK	02-Jul-14	2761	MZ



**CUSTOMER OUTLINE DRAWING**  
ALL OTHER SHEETS ARE FOR INTERNAL USE ONLY

UNLESS OTHERWISE SPECIFIED, DIMENSIONS ARE IN METRIC AND TOLERANCES ARE: <0.5mm ± 0.05mm    0.5 - 6mm ± 0.1mm    6 - 30mm ± 0.2mm    30 - 120mm ± 0.3mm    ANGLES ± 1°	MATERIAL	DRAWN M.ZHANG	DATE 02-Jul-14	TITLE SMA BULKHEAD CRIMP JACK (FOR RG-8/X CABLE)		Amphenol Connex	
	REFERENCE SMA6411A1-3GT50G-8X-50	ENGINEER TONY	DATE 02-Jul-14				
NOTICE - These drawings, specifications, or other data (1) are, and remain the property of Amphenol corp. (2) must be returned upon request; and (3) are confidential and not to be disclosed to any person other than those to whom they are given by Amphenol Corp. the furnishing of these drawings, specifications, or other data by Amphenol Corp., or to any other person to anyone for any purpose is not to be regarded by implication or otherwise in any manner licensing, granting rights to permitting such holder or any other person to manufacture, use or sell any product, process or design, patented or otherwise, that may in any way be related to or disclosed by said drawings, specifications, or other data.	CONFIGURATION LEVEL: In Work	APPROVED S.HSIEH	DATE 02-Jul-14	SCALE: 4.0:1.0	SHEET 3 OF 3	ITEM NO.	PART NO. 132241
	FINISH	CAD FILE	DWG SIZE B	REV B			