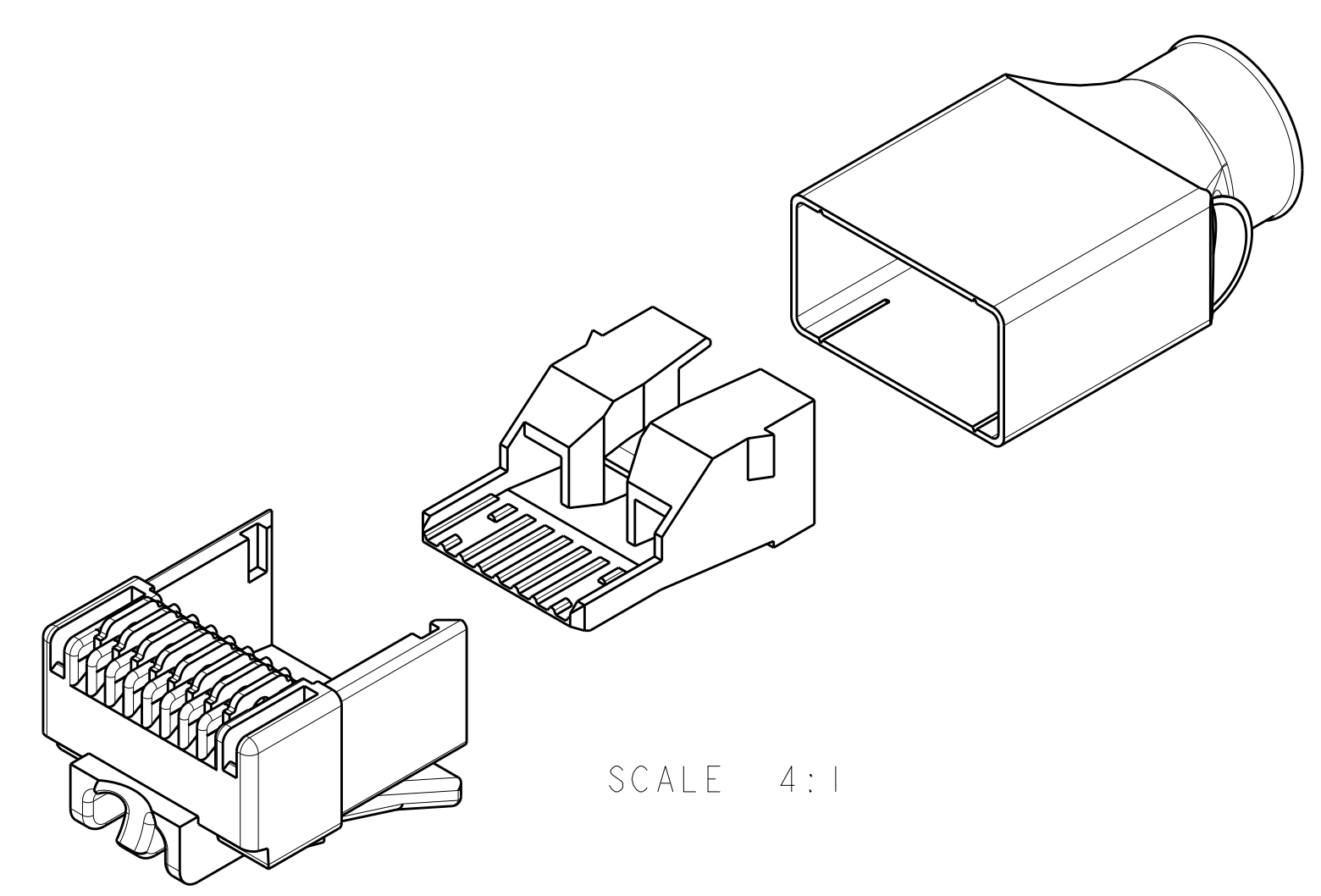
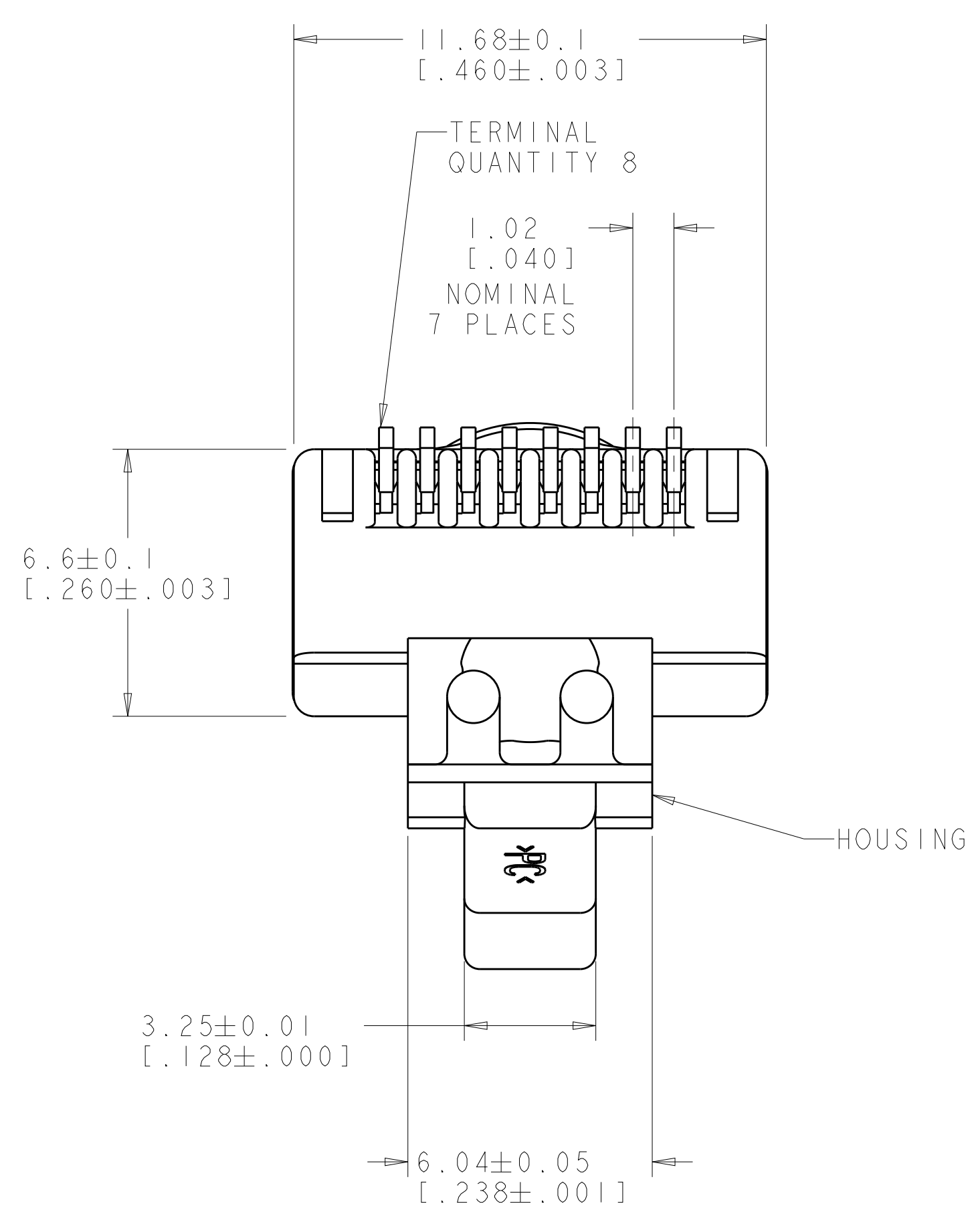
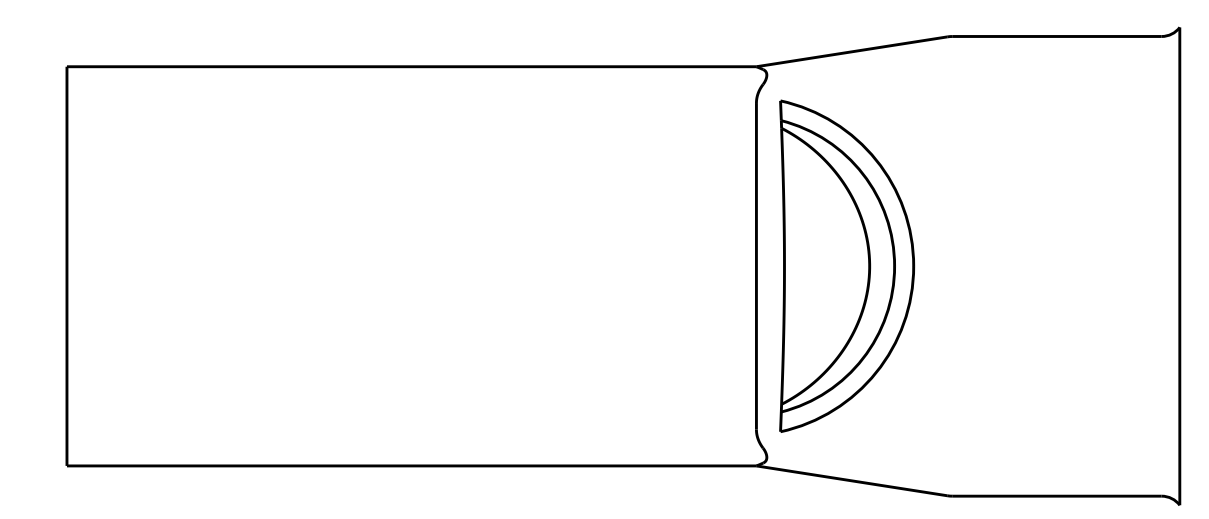
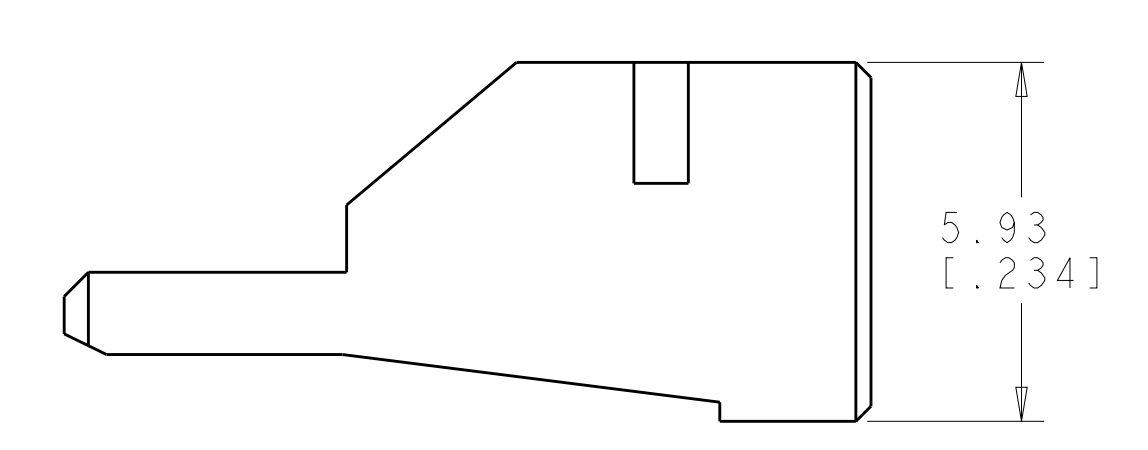
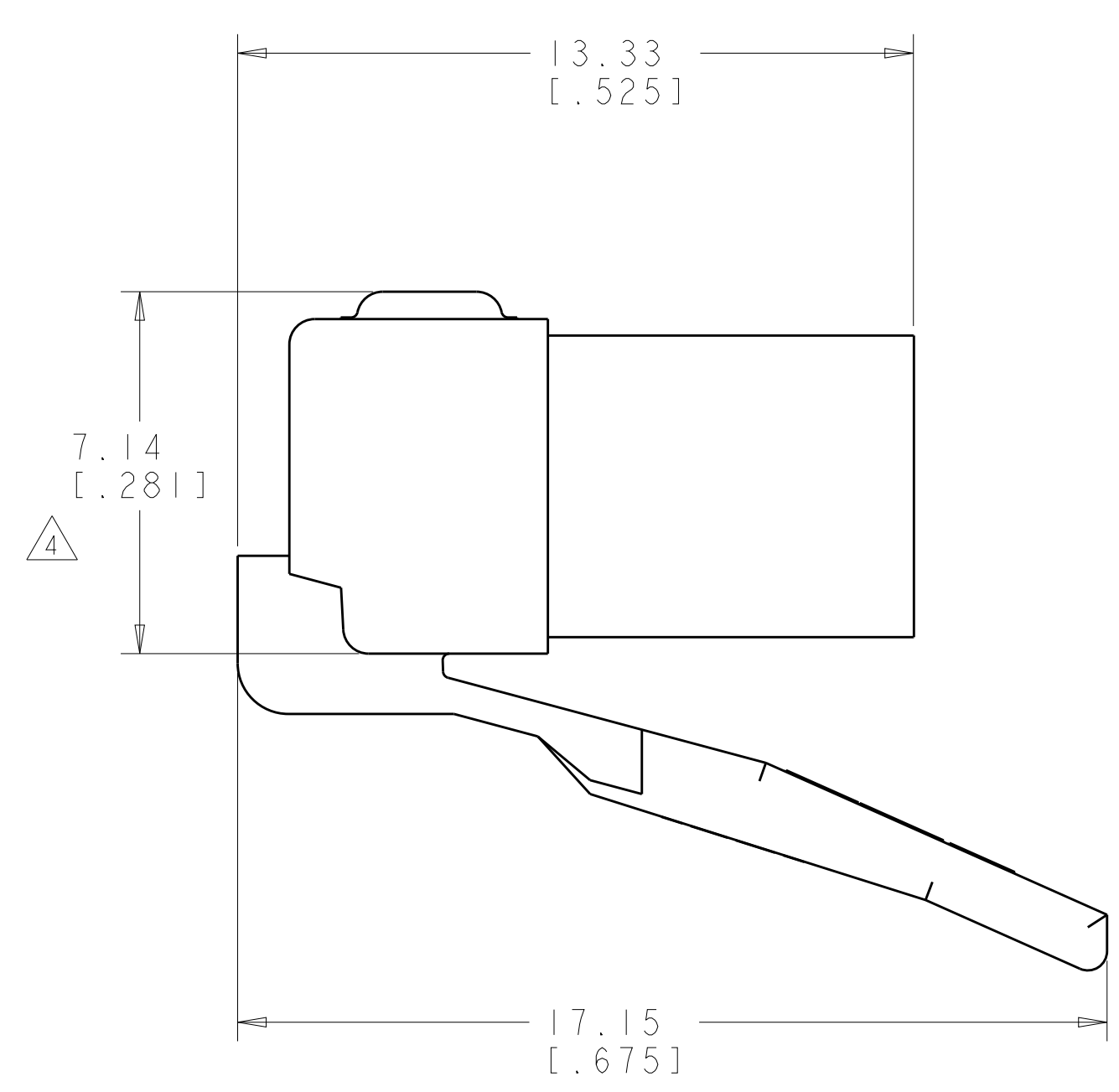
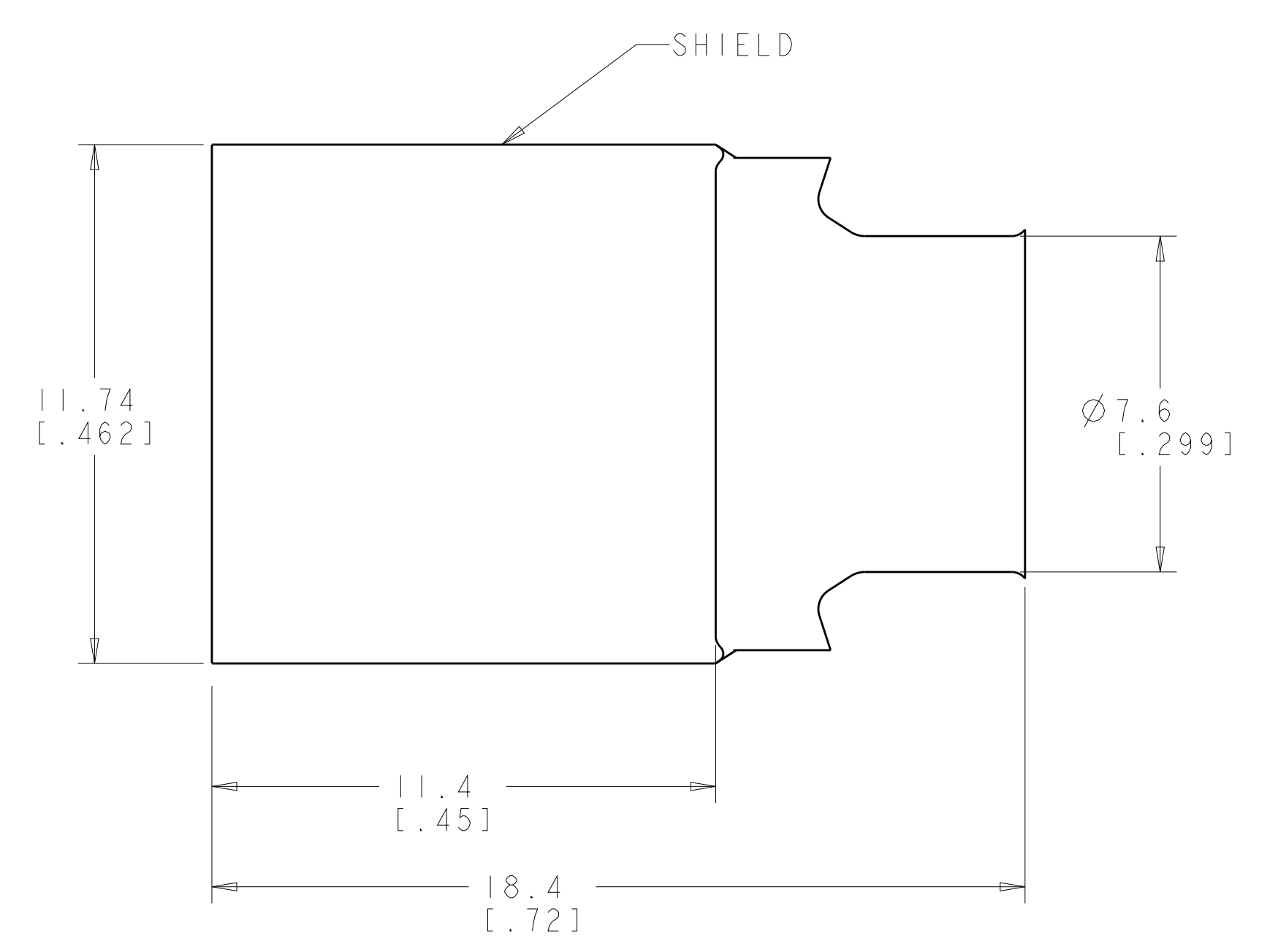
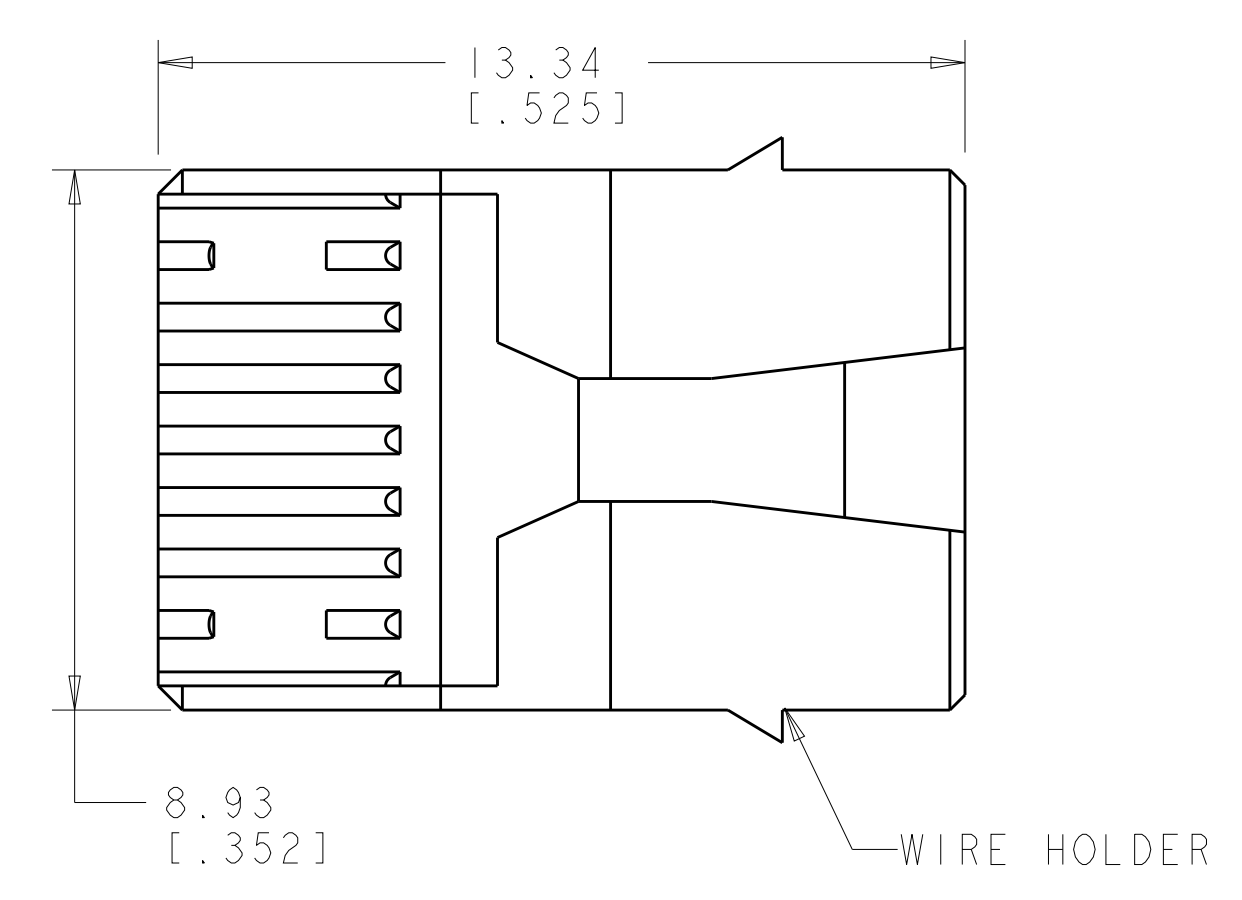
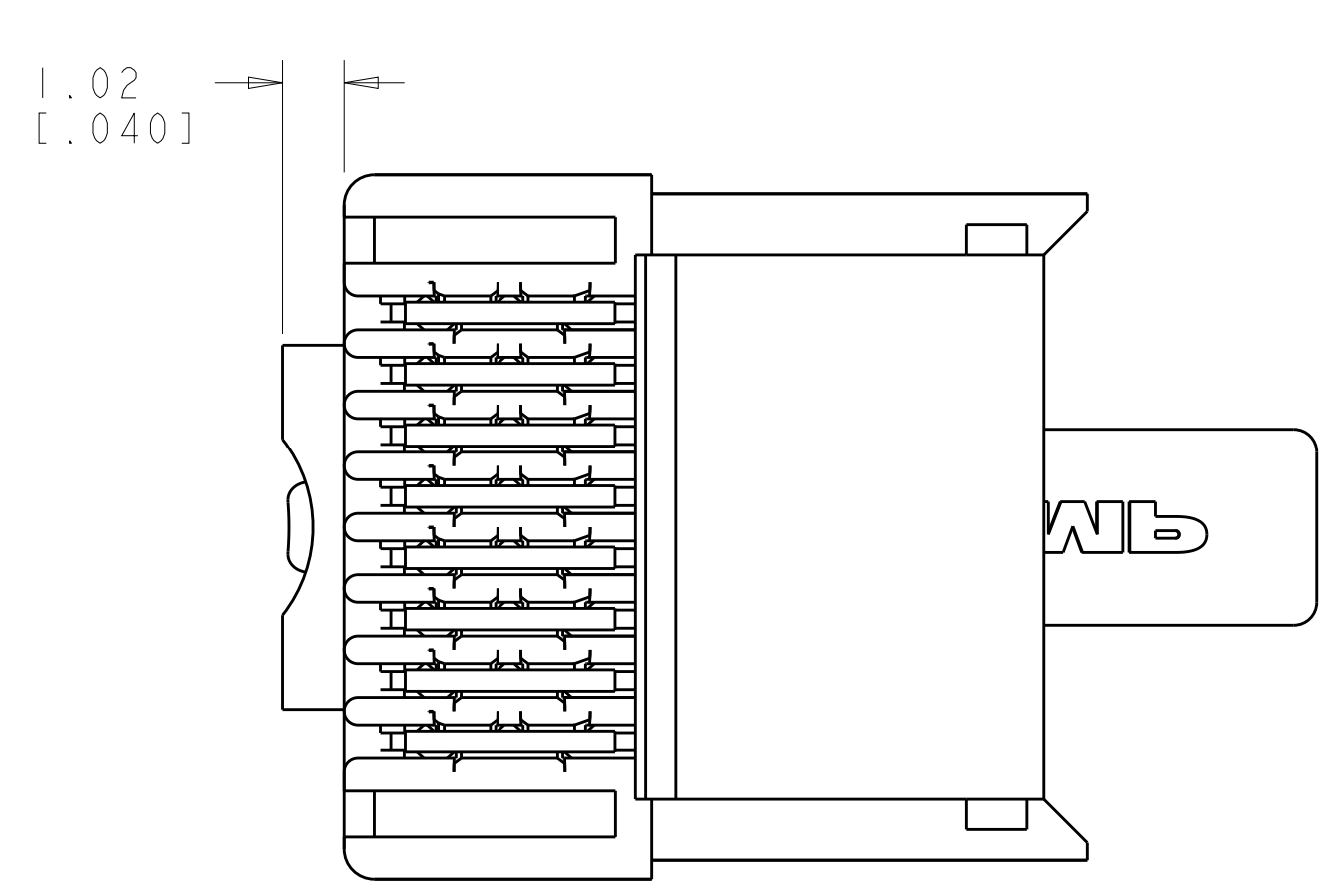


LOC		DIST		REVISIONS			
P	LTN	DESCRIPTION	DATE	DMN	APVD		
D1		REVISED PER ECO-11-005027	14MAR2011	RK	HMR		
E		REV: ECO-12-010973	14JUN2012	GG	JG		
F		REVISED PER ECO-12-012703	03JULY2012	JB	JG		



SCALE 4:1

- 1. MATERIAL: HOUSING - 94V-0 RATED POLYCARBONATE CLEAR TERMINAL - 0.36 [0.014] THICK PHOSPHOR BRONZE PLATED WITH 1.27 μm [0.00050] MINIMUM THICK GOLD IN LOCALIZED AREA OVER 2.54 μm [0.00100] MINIMUM THICK NICKEL UNDERPLATE. WIRE HOLDER - POLYCARBONATE MAKROLON CLEAR. SHIELD - BRASS DIN 17660 - CuZn33
- 2. DIMENSIONS ARE NOMINAL UNLESS OTHERWISE SPECIFIED.
- 3. PLUG WILL ACCEPT A 23-24 AWG SOLID CONDUCTOR, PROVIDED THE INSULATION CONDUCTOR DIAMETER IS WITHIN .89 - 1.09 [.035 - .043]; WITH THE SUM OF DIAMETERS FOR ALL EIGHT CONDUCTORS WITHIN THE CABLE MUST NOT EXCEED 7.8MM [.31 IN]. CABLE JACKET DIAMETER OF 6.0 - 7.0 MM [.24 - .28 IN].
- 4. TERMINATED DIMENSION 6.15 [.242] MAXIMUM.
- 5. PACKAGE 1,000 ASSEMBLIES, 1,000 WIRE HOLDERS, AND 1,000 SHIELDS.
- 6. PACKAGE 100 ASSEMBLIES, 100 WIRE HOLDERS, AND 100 SHIELDS.
- 8. PACKAGE 500 ASSEMBLIES, 500 WIRE HOLDERS, AND 500 SHIELDS.
- 9. MODULAR PLUG BOOT PART NUMBER 1711510-X (X-DENOTES VARIOUS COLORS) MAY BE USED WITH KIT ASSEMBLY SHOWN.
- 10. UL RECOGNIZED: FILE NUMBER E81956.



6	5-1479185-3
8	5-1479185-2
5	5-1479185-1
PACKAGE	PART NO.

THIS DRAWING IS A CONTROLLED DOCUMENT.

DIMENSIONS: MM [INCHES]	TOLERANCES UNLESS OTHERWISE SPECIFIED:	DMN: G. GARRETT 24JAN02	CHK: M. DELPHIAS 24JAN02	APVD: M. DELPHIAS 24JAN02
0 PLC ±	1 PLC ±	2 PLC ±	3 PLC ±	4 PLC ±
ANGLES ±	FINISH ±	NAME: KIT, 8 POSITION, MODULAR PLUG, SOLID WIRE, CATEGORY 6 SIZE: CAGE CODE DRAWING NO: 114-13035 WEIGHT: A100779C=1479185 CUSTOMER DRAWING		

TE Connectivity

SCALE 8:1 SHEET 1 OF 1 REV F