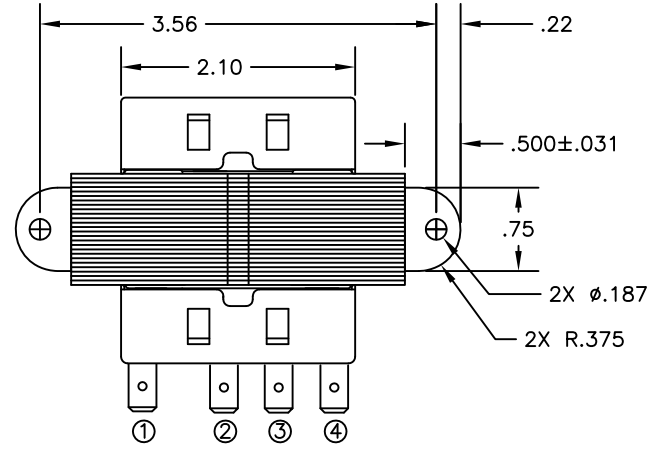


THIS DRAWING IS UNPUBLISHED. RELEASED FOR PUBLICATION  
 © COPYRIGHT BY TYCO ELECTRONICS CORPORATION. ALL INTERNATIONAL RIGHTS RESERVED.

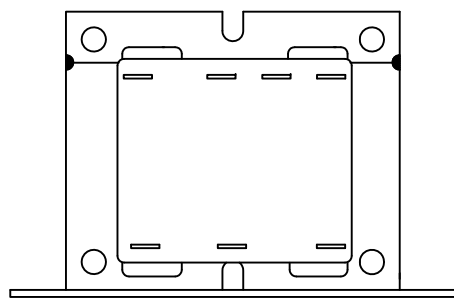
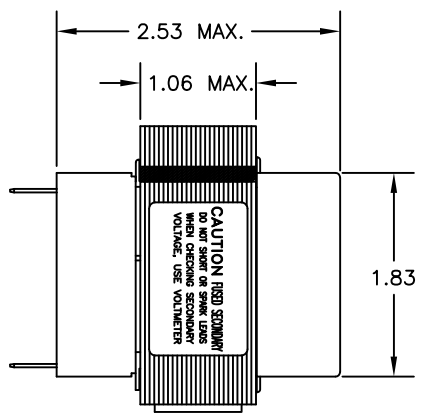
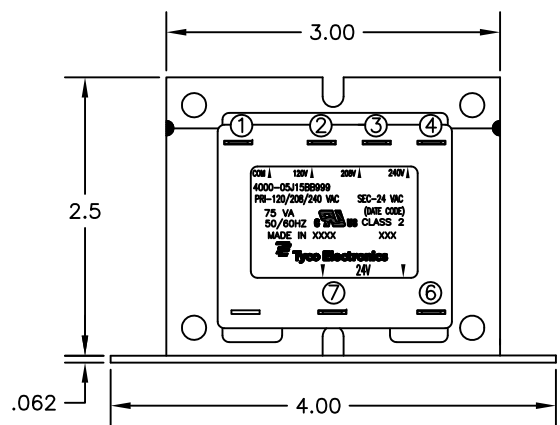
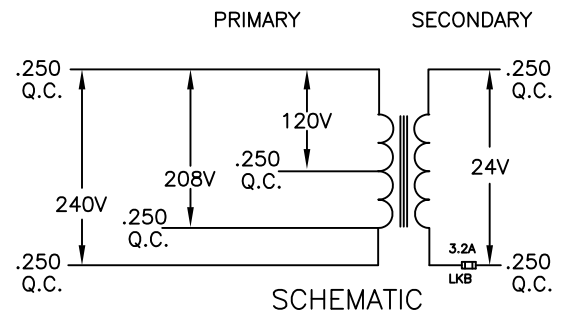
LOC	DIST	REVISIONS					
GZ	00	P	LTR	DESCRIPTION	DATE	DWN	APVD
		B		ECR-10-001438	22APR2010	JS	DB



PRIMARY				
TERMINAL NO.	1	2	3	4
VOLTAGE	COM	120	208	240
TERMINAL WIDTH	.250	.250	.250	.250
TERMINAL THICKNESS	.032	.032	.032	.032

NOTES  
 1. WINDING PROTECTION-  
 3.2 AMP LKB FUSE  
 IN SECONDARY  
 NON-INHERENTLY LIMITING

SECONDARY			
TERMINAL NO.	6	7	8
VOLTAGE	24	VAC	
TERMINAL WIDTH	.250	.250	
TERMINAL THICKNESS	.032	.032	



CUST. NO.	TYCO ELECTRONICS PART NUMBER
-	5-1611468-4

THIS DRAWING IS A CONTROLLED DOCUMENT.		DWN	M.DAVIS	20FEB04
DIMENSIONS:		CHK	K.HOLSCHUH	19FEB04
INCHES		APVD	K.HOLSCHUH	19FEB04
TOLERANCES UNLESS OTHERWISE SPECIFIED: (REF. ONLY)		PRODUCT SPEC	-	
0 PLC ± -		APPLICATION SPEC	-	
1 PLC ± -		WEIGHT	-	
2 PLC ± -		CUSTOMER DRAWING	-	
3 PLC ± -		SCALE	NTS	
4 PLC ± -		SHEET	1 OF 1	
ANGLES ± 1°		REV	B	
MATERIAL		-		
FINISH		-		

Tyco Electronics Corporation		Harrisburg, PA 17105-3608	
NAME: TRANSFORMER OUTLINE			
SIZE	CAGE CODE	DRAWING NO	RESTRICTED TO
A3	00779	C=4000-05J15BB999	-