

NOTES:

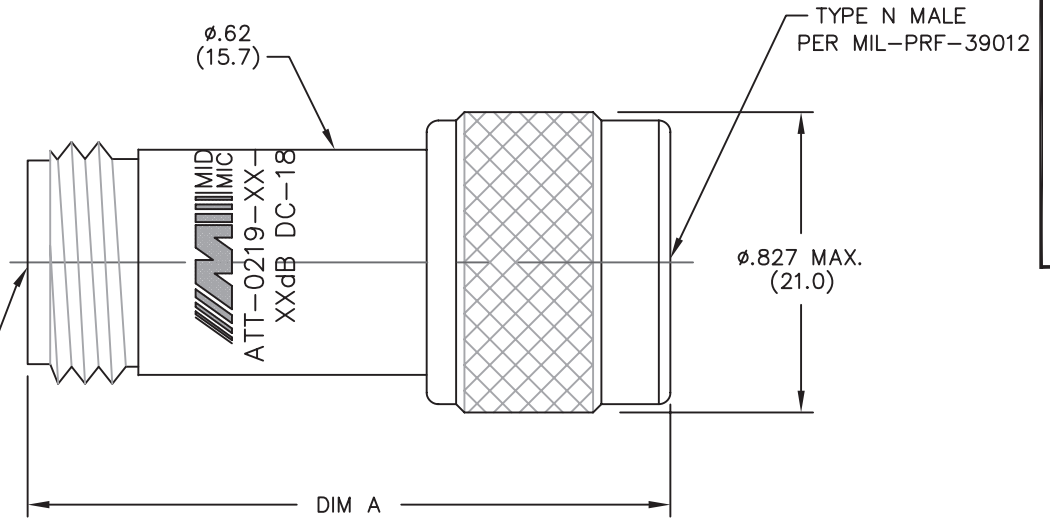
1.0 ELECTRICAL SPECIFICATIONS:

- 1.1 FREQUENCY RANGE: DC TO 18 GHz
- 1.2 ATTENUATION VALUES: 1 THRU 60dB IN 1dB INCREMENTS
- 1.3 ATTENUATION ACCURACY:
  - 1.3.1 1-6dB ±0.3dB
  - 1.3.2 7-20dB ±0.5dB
  - 1.3.3 21-40dB ±1.0dB
  - 1.3.4 41-60dB ±1.5dB
- 1.4 IMPEDANCE: 50 OHMS
- 1.5 MAXIMUM VSWR: 1.07 +0.015f(GHz)
- 1.6 MAXIMUM INPUT POWER: 2 WATTS AVERAGE AT +40°C DERATED LINEARLY TO 0.5 WATTS AT +125°C
- 1.7 OPERATING TEMPERATURE RANGE: -54°C TO +125°C

2.0 MARKING: MARK UNIT USING LABEL INK-02583-27-XX

3.0 DIMENSIONS IN PARENTHESIS ARE IN MILLIMETERS

PER MIL-PRF-39012  
TYPE N FEMALE




MODEL NUMBER  
ATT-0219-XX-NNN-02

|            |            |
|------------|------------|
| 21 thru 60 | 2.05(52.1) |
| 0 thru 20  | 1.77(45.0) |
| dB VALUE   | DIM A      |

DWG NO. WAS: 02356-01-00

| REV. | DESCRIPTION      | DATE     |
|------|------------------|----------|
| -    | RELEASED         | 9/14/92  |
| A    | ECR 0348         | 6/14/92  |
| B    | ECR 2965         | 7/11/84  |
| C    | ECR 5722         | 11/20/87 |
| D    | ECR 6545         | 6/29/89  |
| E    | ECN 11287        | 7/3/92   |
| F    | REDRAW ON CAD    | 8/13/92  |
| G    | ECN 12350        | 1/29/93  |
| H    | ECN 15536        | 10/15/96 |
| H1   | ADDED TITLEBLOCK | 3/21/05  |

|  |   |                                 |  |              |
|--|---|---------------------------------|--|--------------|
| <p><b>NOTICE:</b> The information contained in this drawing is proprietary and must not be used without the permission of Cinch Connectivity Solutions.</p> <p>UNLESS OTHERWISE NOTED DIMENSIONS ARE IN INCHES AND TOLERANCES ARE:<br/>                     3 PLACE DECIMALS ±.005<br/>                     2 PLACE DECIMALS ±.02<br/>                     FRACTIONS ±1/64<br/>                     PARALLELITY: T.I.R.<br/>                     FLATNESS: T.I.R.<br/>                     CONCENTRICITY: T.I.R.<br/>                     ANGLES AND PERPENDICULARITY: ±1'</p> | CAGE CODE<br><b>34078</b>   | <b>MIDWEST MICROWAVE</b>        |  |              |
|  |  |                                 | TITLE<br><b>ATTENUATOR<br/>OUTLINE DRAWING</b> |              |
|  | DRAWN/DATE<br>A. BEATTY<br>8/13/92  | ENG/DATE<br>G. KOZAK<br>9/14/92 | DRAWING NUMBER<br>ATT-0219-XX-NNN-02-01        | REV.<br>H1   |
|  | CHECKED/DATE<br>M. HOLLMAN<br>9/2/92  | APPROVED/DATE                   | SCALE: 5=1                                     | SHEET 1 of 1 |