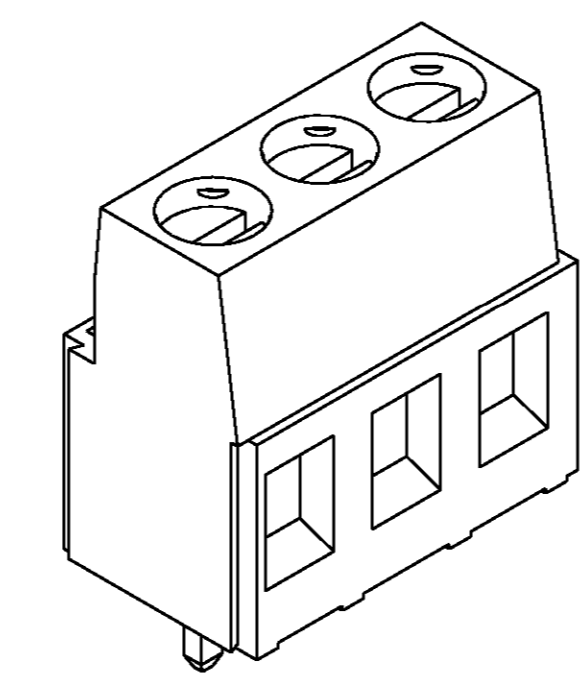
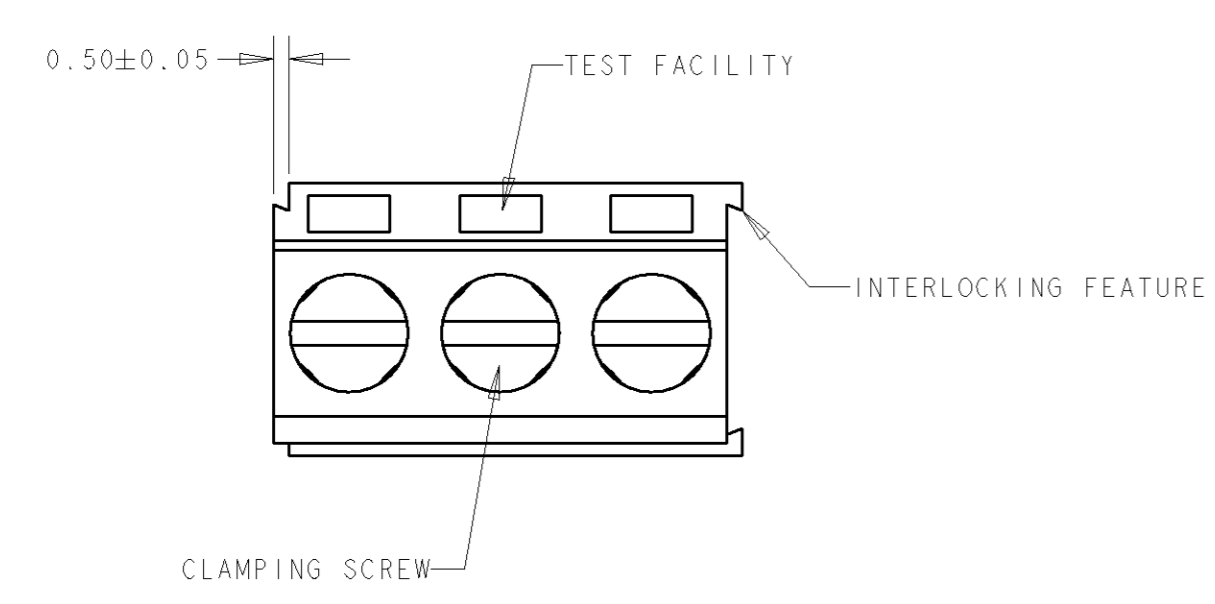


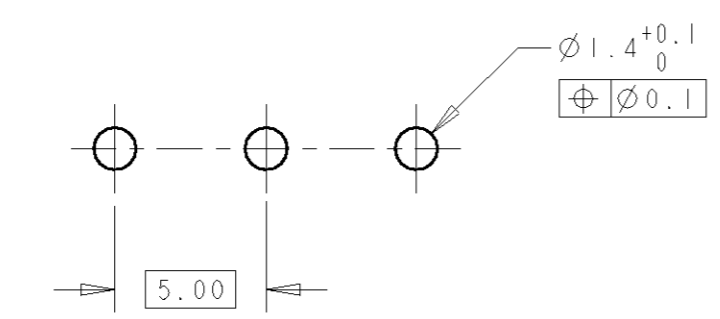
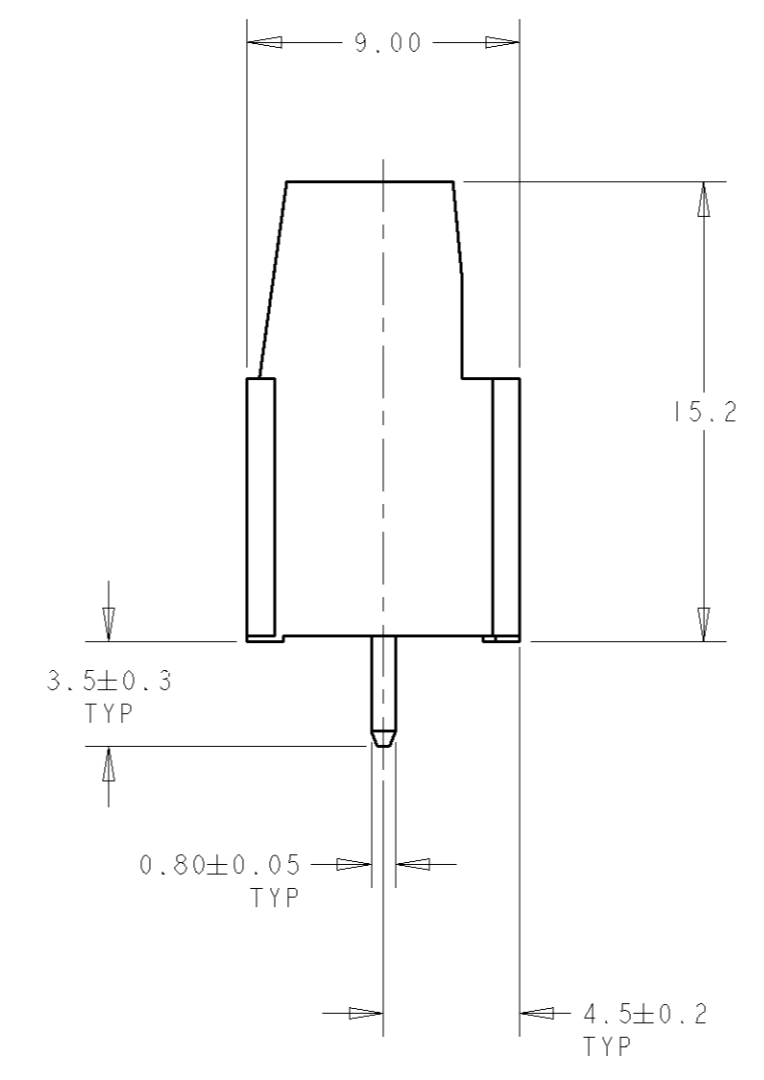
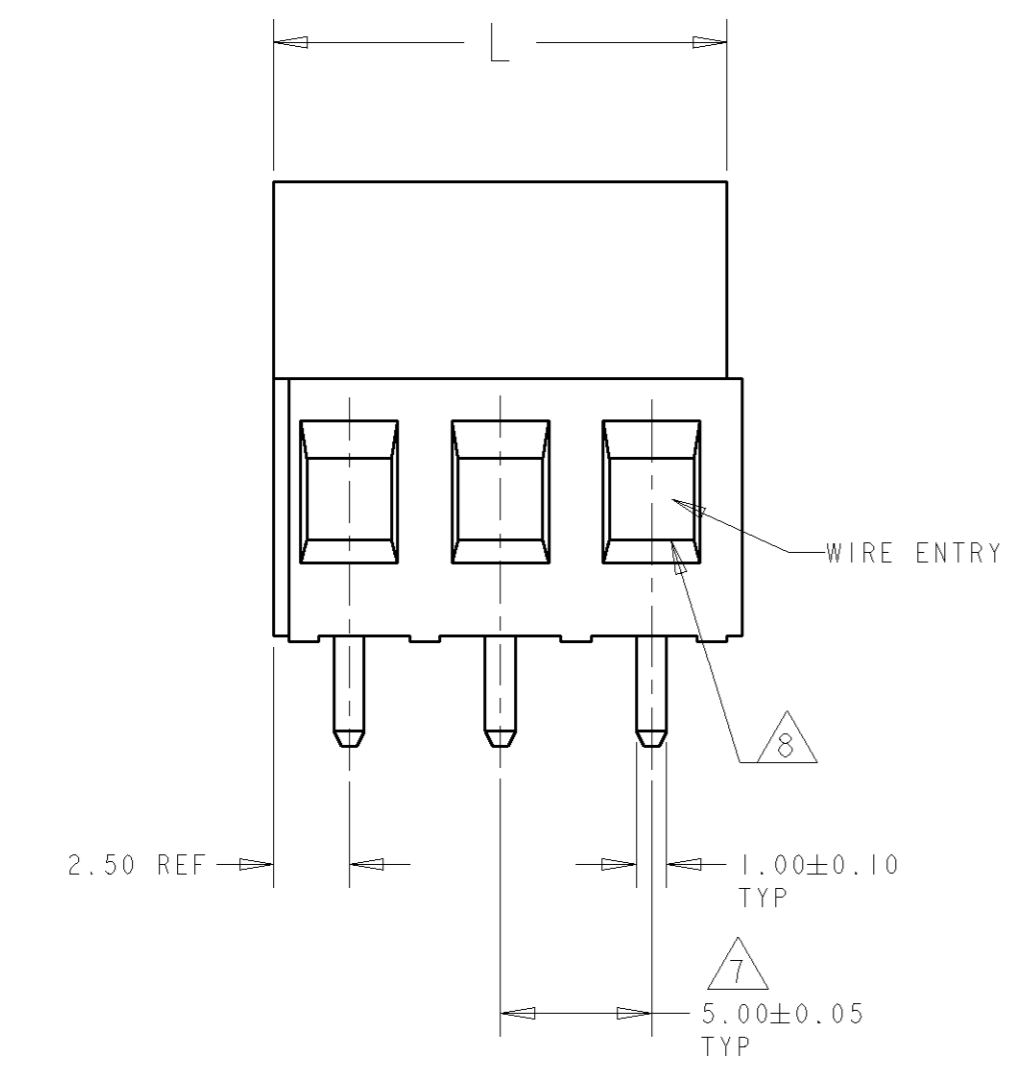
THIS DRAWING IS UNPUBLISHED. RELEASED FOR PUBLICATION 20  
 © COPYRIGHT 20 BY TYCO ELECTRONICS CORPORATION. ALL RIGHTS RESERVED.

LOC	DIST	REVISIONS					
FT	0	P	LTR	DESCRIPTION	DATE	DWN	APVD
		0		RELEASED	29JAN2003	SW	CR



1546423-3 AS SHOWN

- 1 MATERIALS AND FINISH  
 HOUSING: PA 6-6, UL 94-V0.  
 COLORS: GREEN.  
 CLAMP: BRASS, NICKEL PLATED.  
 TERMINAL: BRASS, TIN PLATED.  
 CLAMPING SCREW: M3, BRASS, NICKEL PLATED.
- 2 SUITABLE FOR 1,6-2,4mm. PCB THICKNESS.
- 3 END-TO-END STACKABLE W/INTERLOCK WITHOUT LOSS OF CENTERLINE SPACING.
- 4 WIRE SIZE RANGE  
 SOLID WIRE: 0,03-2,5mm (13AWG)  
 STRANDED WIRE: 0,03-1,5mm (15AWG)
- 5 RECOGNIZED UNDER THE COMPONENT PROGRAM OF UNDERWRITERS LABORATORIES INC. FILE N° E60677.
- 6 IMQ CERTIFICATE WITH SURVEILLANCE IN CONFORMITY WITH IEC 998-1/998-2-1.
- 7 NOT CUMULATIVE TOLERANCE.
- 8 ZERO GAP AT BOTTOM OF WIRE ENTRY WHEN CAGE CLAMP IS CLOSED.



RECOMMENDED PC BOARD LAYOUT

125.0	25	2-1546423-5
120.0	24	2-1546423-4
115.0	23	2-1546423-3
110.0	22	2-1546423-2
105.0	21	2-1546423-1
100.0	20	2-1546423-0
95.0	19	1-1546423-9
90.0	18	1-1546423-8
85.0	17	1-1546423-7
80.0	16	1-1546423-6
75.0	15	1-1546423-5
70.0	14	1-1546423-4
65.0	13	1-1546423-3
60.0	12	1-1546423-2
55.0	11	1-1546423-1
50.0	10	1-1546423-0
45.0	9	1546423-9
40.0	8	1546423-8
35.0	7	1546423-7
30.0	6	1546423-6
25.0	5	1546423-5
20.0	4	1546423-4
15.0	3	1546423-3
10.0	2	1546423-2
L	NO OF POSN	PART NUMBER

THIS DRAWING IS A CONTROLLED DOCUMENT FOR TYCO ELECTRONICS CORPORATION. IT IS SUBJECT TO CHANGE AND THE CONTROLLING ENGINEERING ORGANIZATION SHOULD BE CONTACTED FOR THE LATEST REVISION.		DWN S. WELDON 29 JAN 2003	Tyco Electronics Harrisburg, PA 17105-3608	
DIMENSIONS: mm		CHK C. RICHARD 29 JAN 2003	NAME TERMINAL BLOCK, PCB MOUNT, SIDE WIRE ENTRY, STACKING W/ INTERLOCK, ZERO GAP, 5.0mm PITCH	
TOLERANCES UNLESS OTHERWISE SPECIFIED: 0 PLC ±.3 1 PLC ±.3 2 PLC ±.25 3 PLC ±. 4 PLC ±. ANGLES ±2		APVD C. RICHARD 29 JAN 2003		
MATERIAL		PRODUCT SPEC 108-20166	SIZE A2	CAGE CODE 00779
FINISH		APPLICATION SPEC 114-20079	DRAWING NO 1546423	RESTRICTED TO
- 1		WEIGHT	SCALE 4:1	SHEET OF 1 REV 0
		CUSTOMER DRAWING		