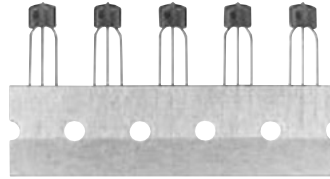


EMI Filters

Series: **EXCEMT**



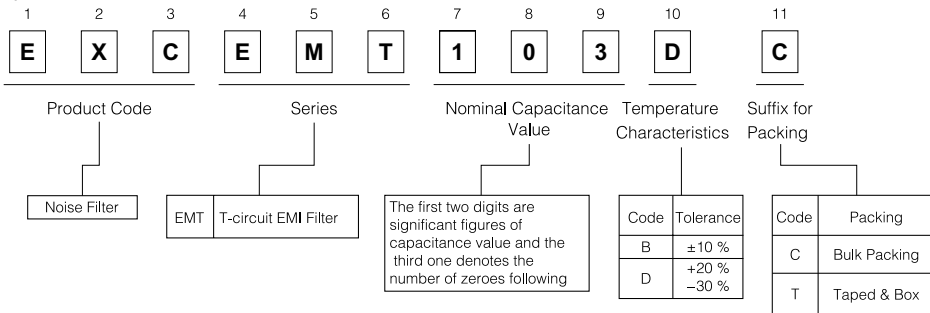
■ Features

- Panasonic EMI filters are small in size and taped type is available for automatic insertion machines.
- Filters are connected as a T network and have excellent noise filtering characteristics for high frequency.
- Preformed leads provide better solderability for through-hole P.W.B.
- Approved under the ISO 9001 system.

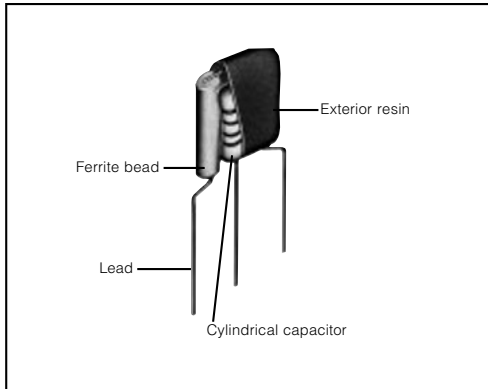
■ Recommended Applications

- Digital equipment such as Personal computers, Word processors, Printers, HDD, PPC, and Communication equipment
- Digital audio and Video equipment
- Power supply equipment such as AC adapter and Switching power supply
- Electronic automotive equipment such as Engine controls, Panels and Audio systems
- Electric musical instruments and other digital devices

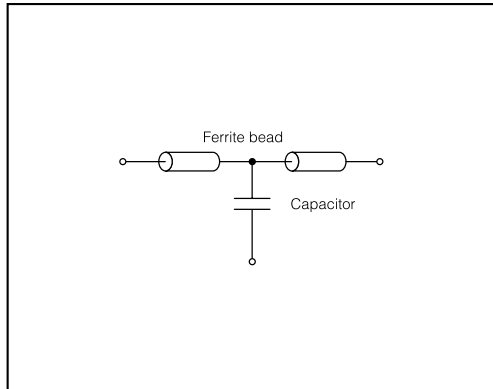
■ Explanation of Part Numbers



Construction



Schematic



Ratings

Category Temperature Range (Operating Temp. Range): -25 °C to +85 °C

| Part Number | Rated Voltage (V DC) | Capacitance ⁽¹⁾ (pF) | Tolerance (%) | Temperature Characteristics ⁽²⁾ | Rated Current (A DC) | 25 dB Attenuation ⁽³⁾ Frequency (MHz) | 15 dB Attenuation ⁽³⁾ Frequency (MHz) |
|-------------|----------------------|---------------------------------|---------------|--|----------------------|--|--|
| EXCEMT220B□ | 50 | 22 | ±20 | YB | 5 | 800 to 1000 | 600 to 1000 |
| EXCEMT470B□ | 50 | 47 | ±20 | YB | 5 | 450 to 700 | 400 to 1000 |
| EXCEMT101B□ | 50 | 100 | ±20 | YB | 5 | 350 to 550 | 250 to 900 |
| EXCEMT221B□ | 50 | 220 | ±20 | YB | 5 | 250 to 400 | 150 to 500 |
| EXCEMT271B□ | 50 | 270 | ±20 | YB | 5 | 250 to 400 | 150 to 500 |
| EXCEMT471B□ | 50 | 470 | ±20 | YB | 5 | 150 to 350 | 70 to 500 |
| EXCEMT102B□ | 50 | 1000 | ±20 | YB | 5 | 100 to 250 | 50 to 400 |
| EXCEMT222D□ | 16 | 2200 | ±20 | YD | 5 | 50 to 200 | 30 to 400 |
| EXCEMT332D□ | 16 | 3300 | ±20 | YD | 5 | 40 to 160 | 25 to 400 |
| EXCEMT103D□ | 16 | 10000 | ±30 | YD | 5 | 25 to 120 | 15 to 400 |

↑ Lead Cut Type: C, Taped Type: T

(1) Measurement Temperature: +20 °C, Measurement Frequency: 1 kHz

(2) Temperature Characteristics YB: Maximum capacitance change is ±10 % over the temperature range of -25 °C to +85 °C in reference to +20 °C
 YD: Maximum capacitance change is +20, -30 % over the temperature range of -25 °C to +85 °C in reference to +20 °C

(3) Measurement Temperature: +20 °C

Note: Please inquire about the particular capacitance value, on a range of 22 to 10000 pF.

■ Packing Methods

| Part Number | Standard Quantity | Style | Weight (mg/pcs.) |
|-------------|-------------------|----------|------------------|
| EXCEMT□□□□C | 200 pcs./Bag | Bulk | 216 |
| EXCEMT□□□□T | 2000 pcs./Box | Flat box | 291 |

Safety Precautions

- The filter may fail in a short-circuit mode (or open-circuit mode) when subjected to severe conditions of electrical and/or environmental stresses beyond their specified rating, resulting in burnout or glowing in the worst case. Study operation of the circuit.
- Soldering Flux: Use rosin type or nonhalogenous type flux.
- Cleaning Solvent: Use alcohol type. Inquire for other type of cleaning solvent.
- Avoid application of static electricity to the filter.
- The filter is deteriorated in the circuit where surge or other abnormal voltage is apt to occur. Study operation of the circuit.
- Excessive mechanical stress may damage the components. Take care in handling.
- Store under temperature -5°C to $+40^{\circ}\text{C}$ and relative humidity 40 % to 60 %. Avoid rapid changes of temperature and humidity.
- Use the components within one year after our delivery.
- This catalog shows the quality and performance of unit component. For quality assurance, please confirm your specific requirements with us. Before design-in, be sure to evaluate and verify the product by mounting it in your product.