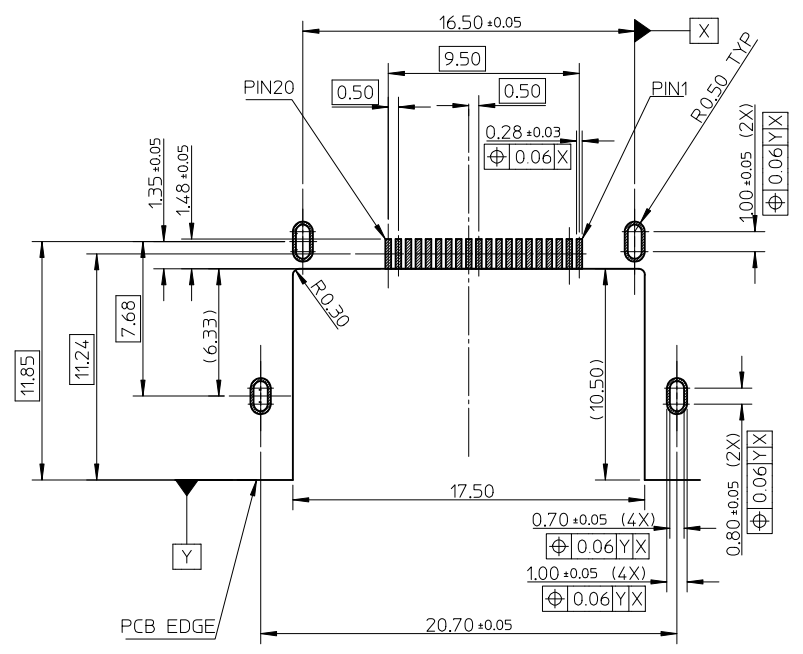
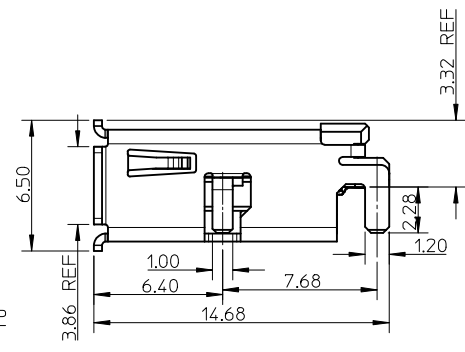
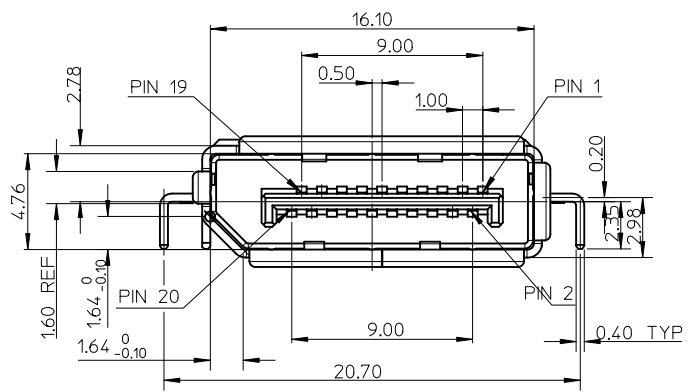
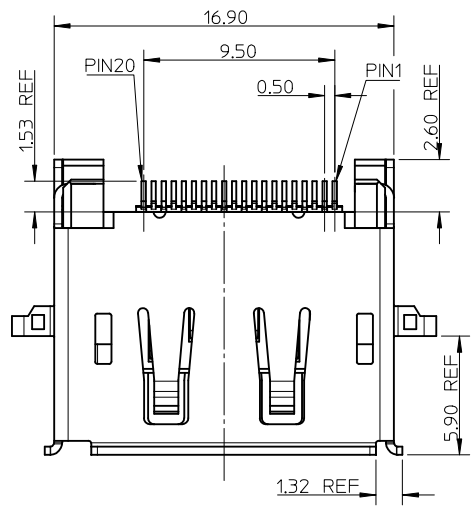
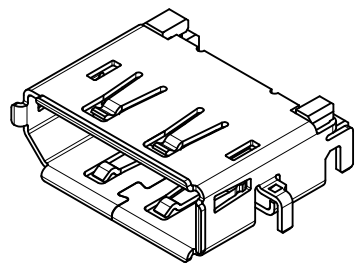


NOTES:

1. MATERIAL:
 - HOUSING: HIGH TEMPERATURE THERMAL PLASTIC, BLACK, 30% GLASS FILLED, UL94V-0.
 - TERMINAL: COPPER ALLOY.
 - SHELL: COPPER ALLOY.
2. PLATING:
 - TERMINAL: CONTACT AREA 0.76 MICROMETER GOLD PLATING AND SOLDER TAIL 1-3 MICROMETER TIN BISMUTH UNDER PLATE 1-3 MICROMETER NICKEL PLATING OVERALL.
 - SHELL: 1.27-2.54 MICROMETER SOLDERABLE NICKEL PLATING OVERALL.
3. SOLDER TAIL COPLANARITY 0.10 MAX.



RECOMMENDER PCB LAYOUT THICKNESS 1.56 ± 0.05
TOP VIEW



REVISED EC NO: SH2011-0281 DRWNR: ZHANG CHKD: APPR: X. J. SONG 2011/04/18 2011/08/22	QUALITY SYMBOLS $F_A=0$ $F_B=0$ $F_C=0$	GENERAL TOLERANCES (UNLESS SPECIFIED)		DIMENSION STYLE MM ONLY		SCALE 1:1	DESIGN UNITS METRIC	THIRD ANGLE PROJECTION
		4 PLACES ± --- ± ---	mm INCH	DRAWN BY HHE	DATE 2007/08/14	TITLE 1.0MM MIDDLE PLANE DISPLAY PORT HEADER ASSEMBLY		
		3 PLACES ± --- ± ---		CHECKED BY RZHANG	DATE 2007/08/14	MOLEX INCORPORATED		
		2 PLACES ± 0.25 ± ---		APPROVED BY HWWANG	DATE 2007/08/14	DOCUMENT NO. SD-47623-001	SHEET NO. 1 OF 1	
1 PLACE ± 0.25 ± ---		ANGULAR ± 3 °		MATERIAL NO. 476230001		THIS DRAWING CONTAINS INFORMATION THAT IS PROPRIETARY TO MOLEX INCORPORATED AND SHOULD NOT BE USED WITHOUT WRITTEN PERMISSION		
A1	REV	DRAFT WHERE APPLICABLE MUST REMAIN WITHIN DIMENSIONS						