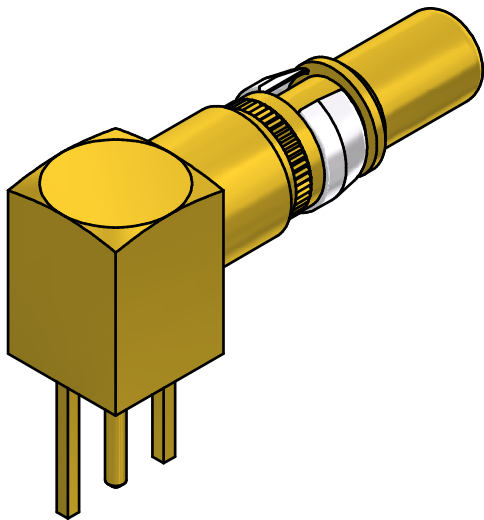
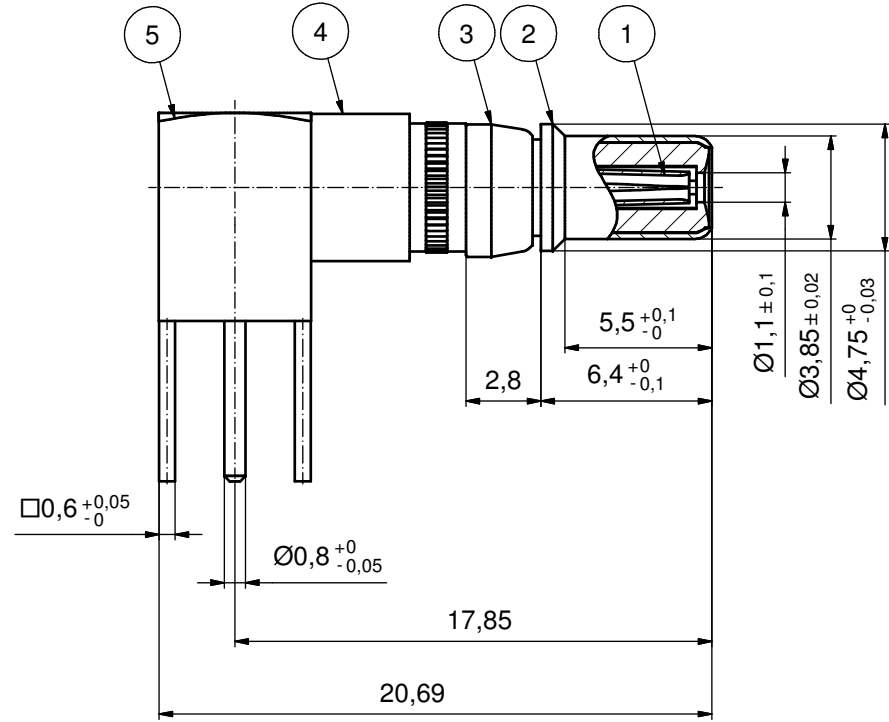
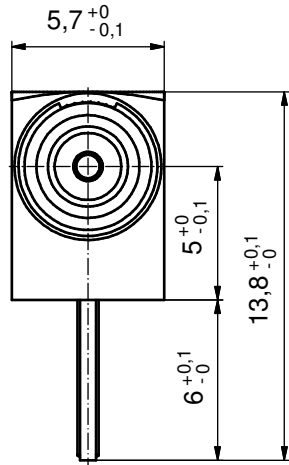


Part no.	Finish Pos.1	Finish Pos.2	Finish Pos.3	Finish Pos. 4/5
131J35019X	min. 50µin HARD GOLD over min. 50µin NICKEL	min. 30µin HARD GOLD over min. 50µin NICKEL	NICKEL PLATED	GOLD FLASH over NICKEL
131A35019X	GOLD FLASH over NICKEL	GOLD FLASH over NICKEL	NICKEL PLATED	GOLD FLASH over NICKEL

(b)



Directive 2002/95/EC RoHS compliant

THIS DRAWING MAY NOT BE COPIED OR REPRODUCED IN ANY WAY, AND MAY NOT BE PASSED ON TO A THIRD PARTY WITHOUT WRITTEN PERMISSION. OWNERSHIP AND COPYRIGHT OF CONEC GmbH DO NOT ALTER CAD DRAWING BY HAND	tolerance		dim. in mm		scale:	5:1
	date		name		material:	see table
	drawn	07.04.06	Lehmenkühler		title:	COAXIAL CONTACT PLUG 75 OHM Solder termination 90° with 3 pins for D-SUB COMBINATION
	appd.	07.04.06	Mickenbecker			
	norm					
d-old				dwg no:	13K2IR5A	
2 x b	Ä4600	14.01.2013	K.H.			DIN-A3
a	Original					sh: 1
rev.	description	date	name	part no:	(b) see table	