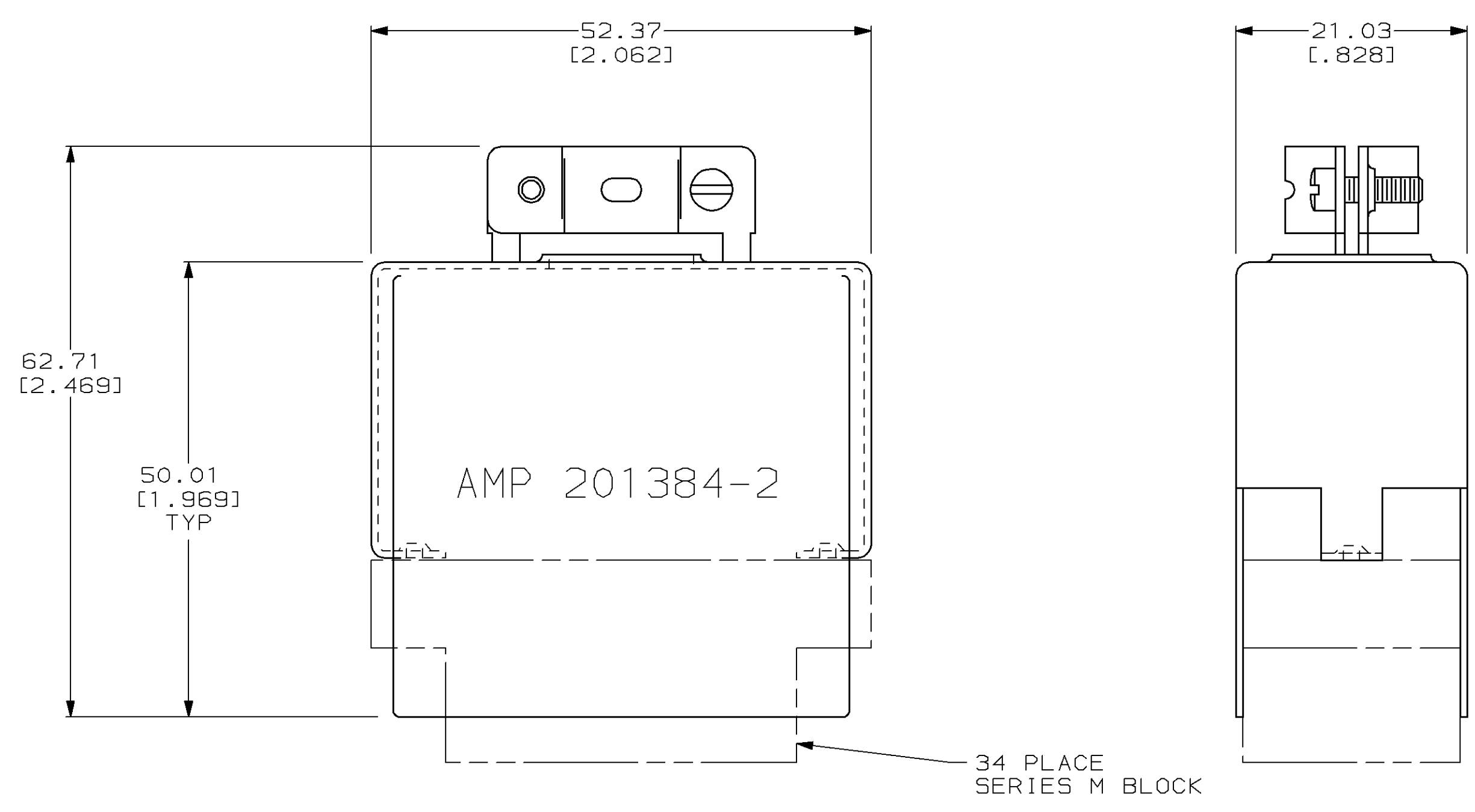
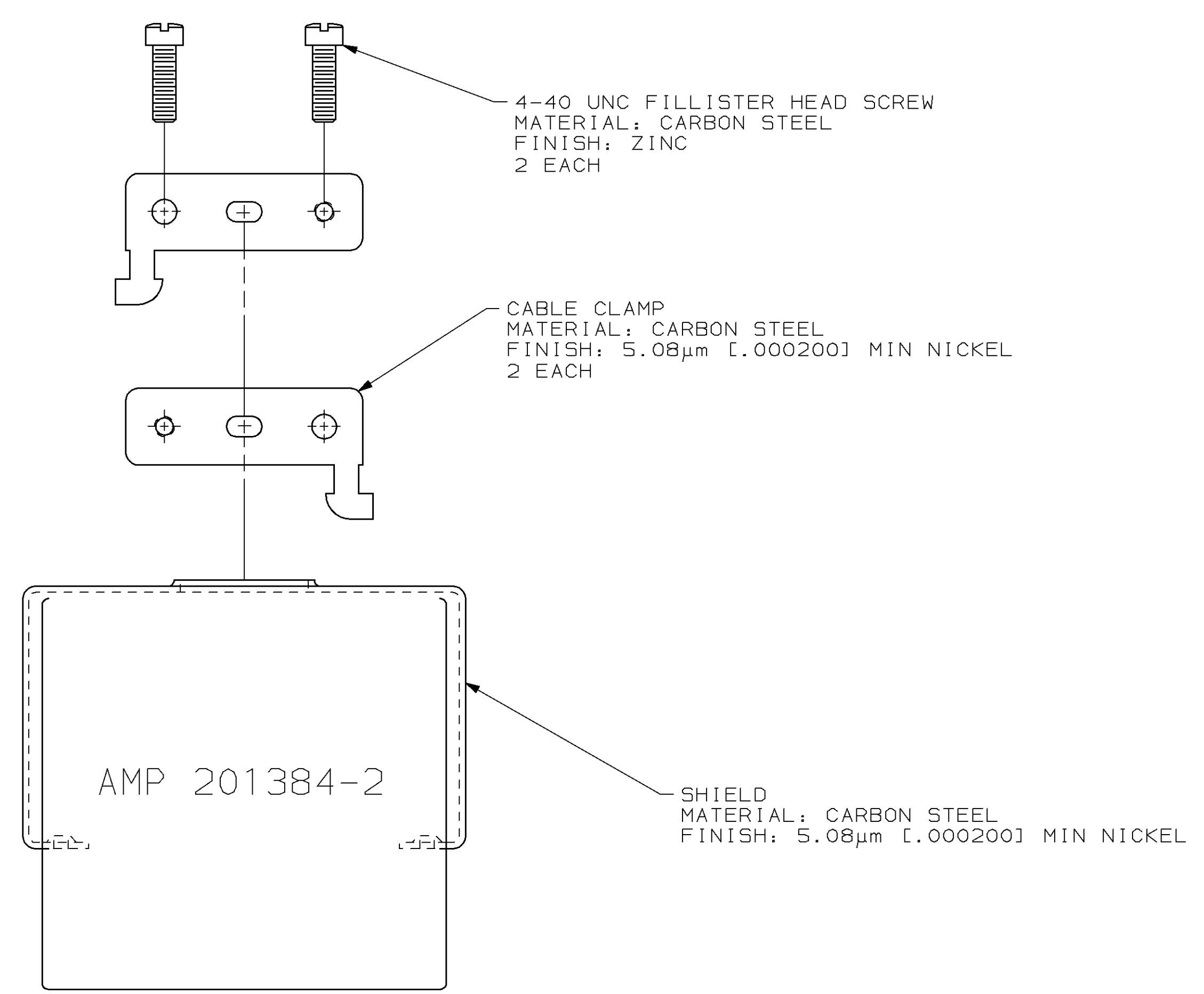


LOC		DIST		REVISIONS			
P	LTR	DESCRIPTION	DATE	DWN	APVD		
G		REDRAWN W/O CHANGE EC 0020-291-96	15 APR 97	-	-		



ASSEMBLED VIEW

1. CABLE CLAMP WILL ACCEPT 34 WIRES OF 1.78 [.070] MAX DIA.



201384-2
 PART NUMBER

THIS DRAWING IS A CONTROLLED DOCUMENT.		DWN C. OBERMAN 15 APR 97	AMP Incorporated Harrisburg, PA 17105-3508
DIMENSIONS: mm (INCHES)		CHK R. STONE 06 AUG 96	NAME G. STEINHAUER 21 JAN 97
TOLERANCES UNLESS OTHERWISE SPECIFIED:		APVD G. STEINHAUER	PRODUCT SPEC
0 PLC	±-	APPLICATION SPEC	RESTRICTED TO
1 PLC	±0	SIZE	A1
2 PLC	+0.41 (.016)	CAGE CODE	00779
3 PLC	±-	DRAWING NO	201384
4 PLC	±-	WEIGHT	-
ANGLES	±-	CUSTOMER DRAWING	
MATERIAL	-	SCALE	2:1
FINISH	-	SHEET	1 OF 1
		REV	G