

Bus system T-connector - SAC-5P-M12T/2XMIN DN - 1401028

Please be informed that the data shown in this PDF Document is generated from our Online Catalog. Please find the complete data in the user's documentation. Our General Terms of Use for Downloads are valid (<http://download.phoenixcontact.com>)



Bus system T-distributor, 5-pos., DeviceNet, M12 socket to 7/8\"-16UNF socket and 7/8\"-16UNF connector



Key commercial data

Packing unit	0
Minimum order quantity	1
Catalog page	Page 406 (PC-2011)
GTIN	 4 046356 542623
Custom tariff number	85366990
Country of origin	GERMANY

Technical data

General data

Number of positions	5
Volume resistance	≤ 5 mΩ
Insulation resistance	≥ 10 MΩ
Ambient temperature (operation)	-40 °C ... 75 °C (Male connector / female connector)

General characteristics

Surge voltage category	II
Pollution degree	3
Degree of protection	IP67
Insertion/withdrawal cycles	≥ 100
Contact material	CuZn
Contact surface material	AU
Contact carrier material	PA 66
Material of grip body	TPU
Material, knurls	Zinc die-cast, nickel-plated
Sealing material	TPU

Bus system T-connector - SAC-5P-M12T/2XMIN DN - 1401028

Technical data

Conductor data

Classifications

eclass

eCl@ss 4.0	27060306
eCl@ss 4.1	27060306
eCl@ss 5.0	27061801
eCl@ss 5.1	27061801
eCl@ss 6.0	19070402
eCl@ss 7.0	19070402

etim

ETIM 2.0	EC000830
ETIM 3.0	EC001855
ETIM 4.0	EC000421

unspsc

UNSPSC 6.01	31251501
UNSPSC 7.0901	31251501
UNSPSC 11	31251501
UNSPSC 12.01	31251501
UNSPSC 13.2	31251501

Approvals

Approvals

Approvals

GOST

Ex Approvals

Approvals submitted

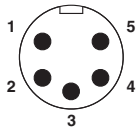
Approval details



Drawings

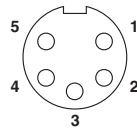
Bus system T-connector - SAC-5P-M12T/2XMIN DN - 1401028

Schematic diagram



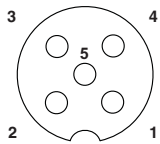
Pin assignment, plug, 7/8"-16UNF, 5-pos., view of male side

Schematic diagram



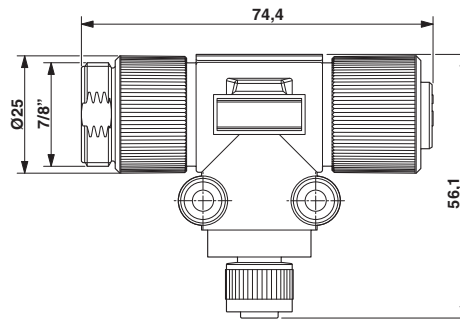
Pin assignment, socket, 7/8"-16UNF, 5-pos., view of female side

Schematic diagram



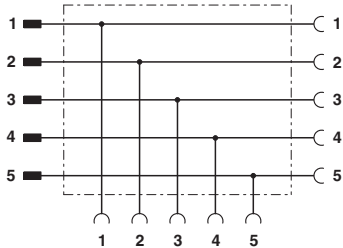
Connector pin assignment for M12 socket, 5-pos.

Dimensioned drawing



M12 T-distributor on 7/8"

Circuit diagram



Contact assignment of M12 on 7/8" T distributor