

# Customer Information Sheet

DRAWING No.: S1751FXX

SHEET 2 OF 2

IF IN DOUBT - ASK

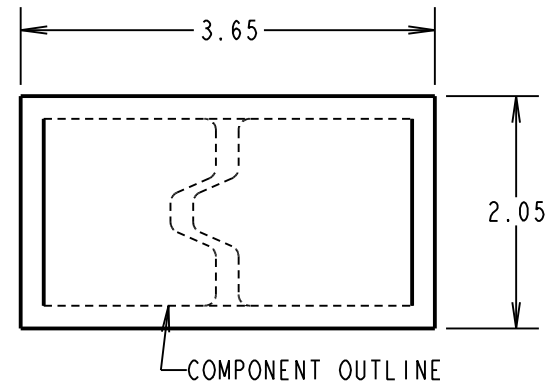
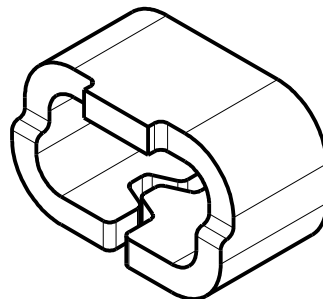
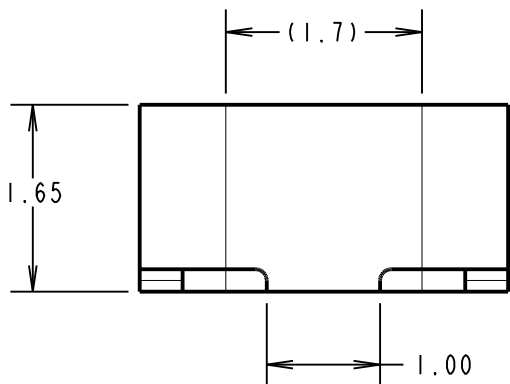


NOT TO SCALE

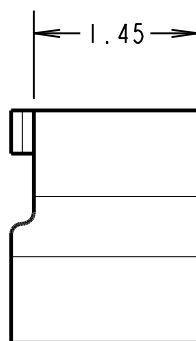
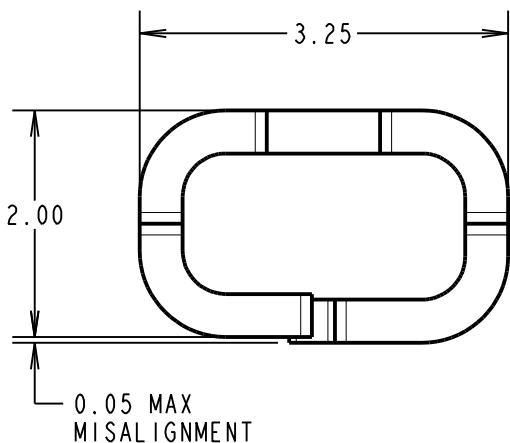
THIRD ANGLE PROJECTION

ALL DIMENSIONS IN mm

NOTES:  
1. PACKING: 100 PER BAG.



RECOMMENDED PAD LAYOUT



SPECIFICATIONS:  
 MATERIAL = BRASS  
 FINISH:  
 06 = 4 $\mu$  90/10 TIN/LEAD  
 46 = 4 $\mu$  100% TIN  
 ELECTRICAL:  
 CURRENT RATING = 2A MAX  
 CONTACT RESISTANCE = 20m $\Omega$  MAX  
 ENVIRONMENTAL:  
 OPERATING TEMPERATURE = -55°C TO +125°C

HARWIN PART No.	FARNELL PART No.	FINISH
S1751F06	486-1462	4 $\mu$ 90/10 TIN/LEAD
S1751F46	102-2338	4 $\mu$ 100% TIN

MSP	4	05.11.15	13155
NAME	ISS.	DATE	C/NOTE
APPROVED:		M. PERREN	
CHECKED:		S. BENNETT	
DRAWN:		J. ENRIGHT	
CUSTOMER REF.:			
ASSEMBLY DRG:			

## HARWIN

www.harwin.com  
technical@harwin.com

THIS DRAWING AND ANY INFORMATION OR DESCRIPTIVE MATTER SET OUT HEREON ARE CONFIDENTIAL AND COPYRIGHT PROPERTY OF THE HARWIN GROUP AND MUST NOT BE DISCLOSED, LOANED, COPIED OR USED FOR MANUFACTURING, TENDERING OR FOR ANY OTHER PURPOSE WITHOUT THEIR WRITTEN PERMISSION.

TOLERANCES  
 X. =  $\pm 1$ mm  
 X.X =  $\pm 0.50$ mm  
 X.XX =  $\pm 0.10$ mm  
 X.XXX =  $\pm 0.01$ mm  
 ANGLES =  $\pm 5^\circ$   
 UNLESS STATED

MATERIAL:  
 BRASS CW505L TO BS EN 1652 (CuZn30) [BRM1618]  
 FINISH: SEE TABLE  
 S/AREA: mm<sup>2</sup>

TITLE:  
 SURFACE MOUNT TEST TERMINAL (LOOSE)

DRAWING NUMBER:  
**S1751FXX**

SHT  
 2 OF 2