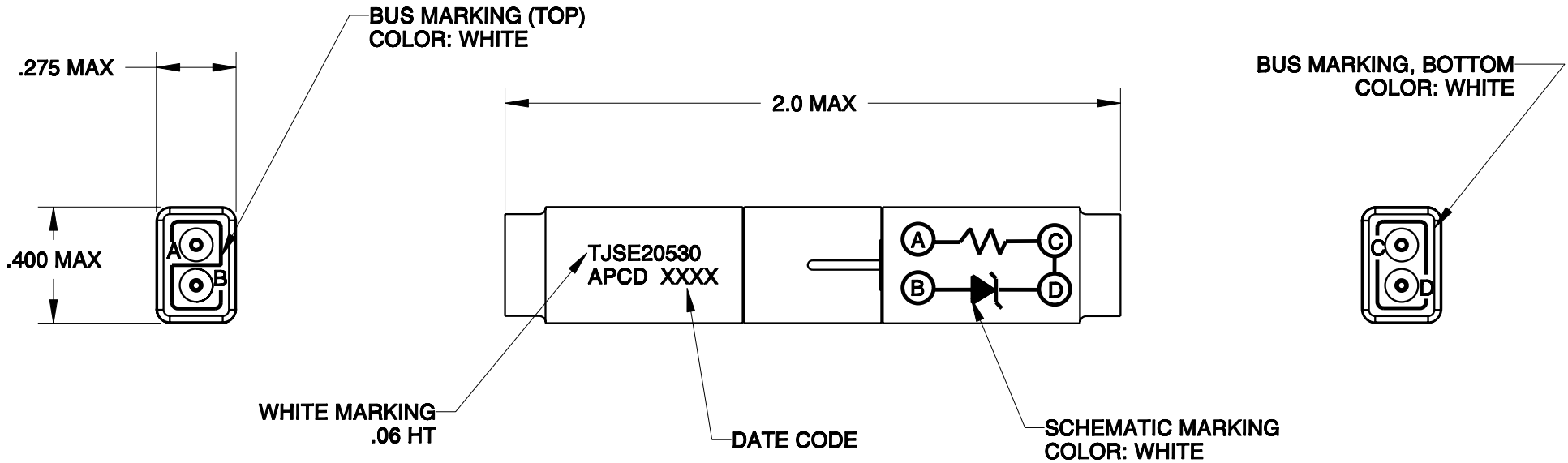


REV	ECN	APP'D
1		



NOTES:

- 1. MATERIALS:**
 HOUSING: POLYETHERIMIDE, COLOR BLACK
 GROMMET: SILICONE ELASTOMER, COLOR BLUE
 INTERNAL CONTACT: COPPER ALLOY, GOLD PLATED,
 PER MIL-G-45204, TYPE I, GRADE C, CLASS I.
 CONTACT RETAINER: STAINLESS STEEL
 RESISTOR: RW81U1001FB12 (1 KΩ, 1W)
 DIODE: 1N5244-D (14V ZENER DIODE, 1/2W)
- 2. SPLICE ACCEPTS (2) MATING M39029/1-101 CONTACTS (NOT INCLUDED.)**
- 3. PART COMPLIES TO ALL REQUIREMENTS PER MIL-T-81714.**

DIMENSIONS ANSI Y14.5M UNITS: INCHES Pro/E FILE	TOLERANCES .XX ±0.01 .XXX ±0.005 ANGLES ±2.0°	PROJECTION 	<h1>Amphenol Pcd</h1> <p>SPECIFICATION DRAWING</p>		WIRE SPLICE, SIZE 20/22 1 KΩ, 1W 14V ZENER DIODE		
			DRWN D. LANG 06/22/06	TITLE	SIZE A	DWG NO. TJSE20530	REV 1
THIS DOCUMENT CONTAINS PROPRIETARY INFORMATION WHICH IS THE CONFIDENTIAL PROPERTY OF AMPHENOL PCD INC., PEABODY, MA			ENGR	CODE: 58982	SCALE: 2:1	SHEET 1 OF 1	
			APPD				