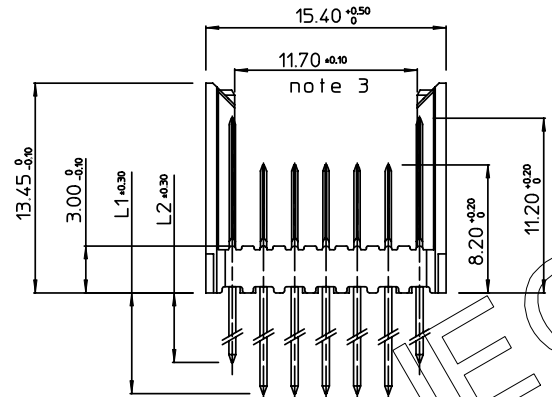
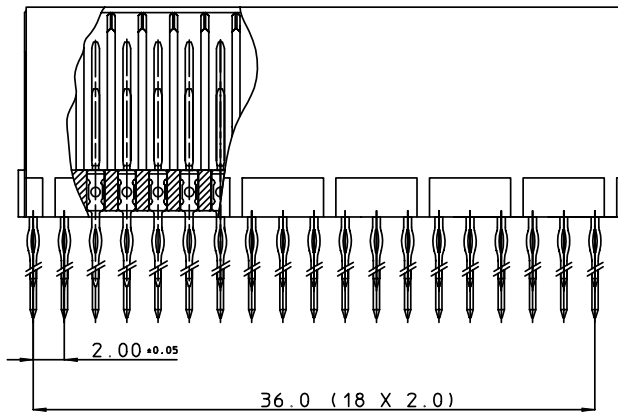


GEN. ST.	01	02	03	04	05	06	07	08	0D	50	60	70	80	90
INT. ST.	10	11	12	13	14	18	20	31	32	33	34	38	39	40
	42	43	44	45	46	48	56	70	72	73	76	81	83	84

REV.	DATE	DESCRIPTION	BY	C'K'D'
A	2001-09-14	CONVERSION REVISION 02	KN	
B	2005-11-04	105-0212	ALEX B	BKP
C	2006-07-05	106-0096	VIVEK	BKP



PERFORMANCE CHARACTERISTICS

CURRENT RATING : 1.5 A AT 20°C (FULLY LOADED)
 1 A AT 70°C (FULLY LOADED)

RATED VOLTAGE : 500 V AC (CONT / CONT)

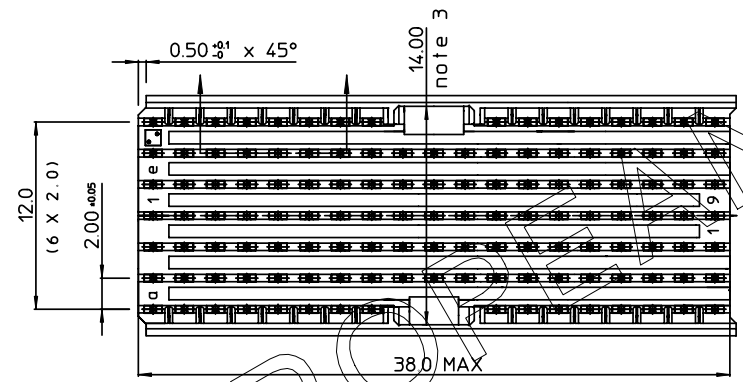
OPERATING TEMPERATURE : -55°C TO 125°C

CONTACT RESISTANCE : 20 mΩ MAX

INSERTION FORCE : 0.75 N MAX / CONT

EXTRACTION FORCE : 0.15 N MIN / CONT

INSULATION RESISTANCE : 10⁴ MΩ MIN

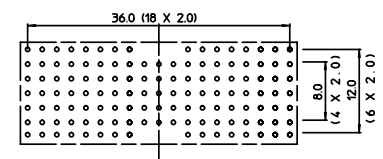


CAT. NR	L1 ± 0.3	L2 ± 0.3	DESCRIPTION
HM2P67PD5111----	3.7	3.7	SHORT PRESS-FIT
HM2P67PC5111----	4.5	4.5	SHORT PRESS-FIT
HM2P67PK5111----	13	4.5	REAR PLUG-UP: LEVEL 1
HM2P67PM5111----	14.5	4.5	REAR PLUG-UP: LEVEL 2
HM2P67PN5111----	16	4.5	REAR PLUG-UP: LEVEL 3
HM2P67PT5111----	13	4.5	WIRE WRAP

NOTES

- *HM2P67P#5111---* PERFORMANCE LEVEL INDICATOR (REFER DWG No. BS.C ,201844,003)
 LEAD FREE INDICATOR : LF=LEAD FREE (DIGIT 15&16)
- THIS PRODUCT IS CSA APPROVED.
 THIS PRODUCT IS UL RECOGNIZED.
- MEASURED AT THE BOTTOM.
- FOR RECOMMENDED PTH DIMENSIONS REFER DRAWING : BS.A ,201572,001
- THE PRODUCT (LF) MEETS EUROPEAN UNION DIRECTIVES AND OTHER COUNTRY REGULATIONS AS DESCRIBED IN GS-22-008

LAY-OUT P.C.B.- HOLE



MALE SIGNAL STRAIGHT PRESS-FIT-TO-BOARD CONNECTOR

WITH GUIDING

1DEC ± 0.2 2DEC ± 0.1 ANGLES ± 1°	APPR.	DATE	SIGN.	MILLIPACS 2 / TYPE AB (19 POS.) / SHIELDED
	DRAFT	1999-05-06	N.Otto	CAT. No. HM2P67P#5111----
	CHECKED			SCALE
WE RESERVE THE RIGHT TO CHANGE DIMENSIONS OR REQUIREMENTS WITHOUT PRIOR NOTICE.	PROD. MGR.			www.fciconnect.com
ALL DIMENSIONS IN MM	PR. ENG. MGR.			
	PR. MGT. MGR.			REFERENCES BS,C ,201632,036 DRAWING No. CUSTOMER DRAWING REVISION C

THIS IS OUR EXCLUSIVE PROPERTY. IT IS NOT TO BE COPIED, REPRINTED OR DISCLOSED TO A THIRD PARTY, NOR USED FOR MANUFACTURING WITHOUT OUR WRITTEN CONSENT, AND HAS TO BE RETURNED TO US IN CASE OF NO USAGE

DIT IS ONZE EIGENDOM EN MAG NOCH NAZEMAAKT, HERDRUKT, OVERGEHAKT AAN DERDEN, NOCH VOOR FABRIKATIE GEBRUIKT WORDEN, ZONDER ONZE SCHRIFTELIJKE TOELATING. BIJ NIET GEBRUIK IS TERUGKEEREN VERPLICHT.